



**EMERSON**  
Industrial Automation

*User Guide*

# **Affinity**

*Model sizes 1 to 6*

Building Automation HVAC/R  
drive

Part Number: 0474-0000-04

Issue: 4



[www.controltechniques.com](http://www.controltechniques.com)

## General Information

The manufacturer accepts no liability for any consequences resulting from inappropriate, negligent or incorrect installation or adjustment of the optional operating parameters of the equipment or from mismatching the variable speed drive with the motor.

The contents of this guide are believed to be correct at the time of printing. In the interests of a commitment to a policy of continuous development and improvement, the manufacturer reserves the right to change the specification of the product or its performance, or the contents of the guide, without notice.

All rights reserved. No parts of this guide may be reproduced or transmitted in any form or by any means, electrical or mechanical including photocopying, recording or by an information storage or retrieval system, without permission in writing from the publisher.

## Drive software version

This product is supplied with the latest software version. If this drive is to be connected to an existing system or machine, all drive software versions should be verified to confirm the same functionality as drives of the same model already present. This may also apply to drives returned from a Control Techniques Service Centre or Repair Centre. If there is any doubt please contact the supplier of the product.

The software version of the drive can be checked by looking at Pr **11.29** and Pr **11.34**. This takes the form of xx.yy.zz where Pr **11.29** displays xx.yy and Pr **11.34** displays zz. (e.g. for software version 01.01.00, Pr **11.29** = 1.01 and Pr **11.34** displays 0).

The software version of the Building Automation interface can be checked by looking at Pr **17.02** and Pr **17.51**. The software version takes the form of xx.yy.zz, where Pr **17.02** displays xx.yy and Pr **17.51** displays zz.

## Environmental statement

Control Techniques is committed to minimising the environmental impacts of its manufacturing operations and of its products throughout their life cycle. To this end, we operate an Environmental Management System (EMS) which is certified to the International Standard ISO 14001. Further information on the EMS, our Environmental Policy and other relevant information is available on request, or can be found at [www.greendrives.com](http://www.greendrives.com).

The electronic variable-speed drives manufactured by Control Techniques have the potential to save energy and (through increased machine/process efficiency) reduce raw material consumption and scrap throughout their long working lifetime. In typical applications, these positive environmental effects far outweigh the negative impacts of product manufacture and end-of-life disposal.

Nevertheless, when the products eventually reach the end of their useful life, they must not be discarded but should instead be recycled by a specialist recycler of electronic equipment. Recyclers will find the products easy to dismantle into their major component parts for efficient recycling. Many parts snap together and can be separated without the use of tools, whilst other parts are secured with conventional fasteners. Virtually all parts of the product are suitable for recycling.

Product packaging is of good quality and can be re-used. Large products are packed in wooden crates, while smaller products come in strong cardboard cartons which themselves have a high recycled fibre content. If not re-used, these containers can be recycled. Polythene, used on the protective film and bags for wrapping product, can be recycled in the same way. Control Techniques' packaging strategy prefers easily-recyclable materials of low environmental impact, and regular reviews identify opportunities for improvement.

When preparing to recycle or dispose of any product or packaging, please observe local legislation and best practice.

## REACH legislation

EC Regulation 1907/2006 on the Registration, Evaluation, Authorisation and restriction of Chemicals (REACH) requires the supplier of an article to inform the recipient if it contains more than a specified proportion of any substance which is considered by the European Chemicals Agency (ECHA) to be a Substance of Very High Concern (SVHC) and is therefore listed by them as a candidate for compulsory authorisation.

For current information on how this requirement applies in relation to specific Control Techniques products, please approach your usual contact in the first instance. Control Techniques position statement can be viewed at:

<http://www.controltechniques.com/REACH>

Copyright © April 2010 Control Techniques Ltd.

Issue Number: 4

Software: 01.06.00 onwards

---

# Contents

---

<b>1</b>	<b>Safety information</b> .....	<b>7</b>	<b>5</b>	<b>Getting started</b> .....	<b>91</b>
1.1	Warnings, cautions and notes .....	7	5.1	Understanding the display .....	91
1.2	Electrical safety - general warning .....	7	5.2	Keypad operation .....	91
1.3	System design and safety of personnel .....	7	5.3	Menu structure .....	92
1.4	Environmental limits .....	7	5.4	Menu 0 .....	93
1.5	Access .....	7	5.5	Advanced menus .....	93
1.6	Fire protection .....	7	5.6	Changing the operating mode .....	95
1.7	Compliance with regulations .....	7	5.7	Changing the keypad mode .....	95
1.8	Motor .....	7	5.8	Saving parameters .....	95
1.9	Adjusting parameters .....	7	5.9	Restoring parameter defaults .....	95
1.10	Electrical installation .....	7	5.10	Parameter access level and security .....	95
<b>2</b>	<b>Product information</b> .....	<b>8</b>	5.11	Displaying parameters with non-default values only .....	97
2.1	Introduction .....	8	5.12	Displaying destination parameters only .....	97
2.2	Drive types .....	9	5.13	Communications .....	97
2.3	Ratings .....	9	<b>6</b>	<b>Basic parameters</b> .....	<b>99</b>
2.4	Model number .....	13	6.1	Single line descriptions .....	99
2.5	Operating modes .....	13	6.2	Full descriptions .....	104
2.6	Drive features .....	14	<b>7</b>	<b>Running the motor</b> .....	<b>113</b>
2.7	Nameplate description .....	15	7.1	Quick start Connections .....	113
2.8	Options .....	16	7.2	Changing the operating mode .....	113
2.9	Items supplied with the drive .....	18	7.3	Changing keypad mode .....	113
<b>3</b>	<b>Mechanical installation</b> .....	<b>19</b>	7.4	Quick Start commissioning/start-up .....	116
3.1	Safety information .....	19	<b>8</b>	<b>Optimization</b> .....	<b>118</b>
3.2	Planning the installation .....	19	8.1	Motor map parameters .....	118
3.3	Terminal cover removal .....	20	8.2	Current limits .....	124
3.4	Solutions Module / keypad installation / removal .....	27	8.3	Motor thermal protection .....	124
3.5	Mounting methods .....	29	8.4	Switching frequency .....	125
3.6	Enclosure for standard drives .....	46	8.5	High speed operation .....	125
3.7	Enclosure design and drive ambient temperature .. 47		<b>9</b>	<b>SMARTCARD operation</b> .....	<b>126</b>
3.8	Enclosing standard drive for high environmental protection .....	48	9.1	Introduction .....	126
3.9	External EMC filter for standard drives .....	52	9.2	Transferring data .....	127
3.10	Electrical terminals .....	60	9.3	Data block header information .....	128
3.11	Routine maintenance .....	61	9.4	SMARTCARD parameters .....	129
<b>4</b>	<b>Electrical installation</b> .....	<b>64</b>	9.5	SMARTCARD trips .....	130
4.1	Power connections .....	64	<b>10</b>	<b>PC tools</b> .....	<b>132</b>
4.2	AC supply requirements .....	67	10.1	CTSoft .....	132
4.3	Auxiliary power supply .....	68	10.2	Onboard PLC and SYPTLite .....	132
4.4	Supplying the drive with DC / DC bus paralleling .....	69	10.3	CT Energy Savings Estimator .....	134
4.5	Fan connections .....	69			
4.6	Control 24Vdc supply .....	69			
4.7	Ratings .....	69			
4.8	Output circuit and motor protection .....	72			
4.9	Braking .....	74			
4.10	Ground leakage .....	76			
4.11	EMC (Electromagnetic compatibility) .....	76			
4.12	PC communications connections .....	85			
4.13	Terminal connections .....	86			
4.14	Building automation network connections .....	90			
4.15	Heatsink fan supply connections (size 4 to 6) .....	90			

<b>11</b>	<b>Advanced parameters</b>	<b>136</b>
11.1	Menu 1: Frequency / speed reference	142
11.2	Menu 2: Ramps	146
11.3	Menu 3: Speed feedback and speed control	149
11.4	Menu 4: Torque and current control	152
11.5	Menu 5: Motor control	155
11.6	Menu 6: Sequencer and clock	159
11.7	Menu 7: Analog I/O	161
11.8	Menu 8: Digital I/O	164
11.9	Menu 9: Programmable logic, motorized pot, binary sum and timers	167
11.10	Menu 10: Status and trips	171
11.11	Menu 11: General drive set-up	173
11.12	Menu 12: Threshold detectors, variable selectors and brake control function	174
11.13	Menu 14: User PID controller	180
11.14	Menus 15 and 16: Solutions Module set-up	187
11.15	Menu 17: Building Automation Network	206
11.16	Menu 18: Application menu 1	206
11.17	Menu 19: Application menu 2	206
11.18	Menu 20: Application menu 3	206
11.19	Menu 21: Second motor parameters	207
11.20	Menu 22: Additional Menu 0 set-up	208
11.21	Advanced features	209
<b>12</b>	<b>Technical data</b>	<b>222</b>
12.1	Drive technical data	222
12.2	Optional external EMC filters	240
<b>13</b>	<b>Diagnostics</b>	<b>244</b>
13.1	Trip indications	244
13.2	Alarm indications	256
13.3	Status indications	256
13.4	Displaying the trip history	257
13.5	Behavior of the drive when tripped	257
<b>14</b>	<b>UL listing information</b>	<b>258</b>
14.1	Common UL information	258
14.2	Power dependant UL information	258
14.3	AC supply specification	258
14.4	Maximum continuous output current	258
14.5	Safety label	259
14.6	UL listed accessories	259
	<b>List of figures</b>	<b>260</b>
	<b>List of tables</b>	<b>262</b>
	<b>Index</b>	<b>264</b>

# Declaration of Conformity (Size 1 to 5)

**Control Techniques Ltd**  
**The Gro**  
**Newtown**  
**Powys**  
**UK**  
**SY16 3BE**

BA1201	BA1202	BA1203	BA1204
BA2201	BA2202	BA2203	
BA3201	BA3202		
BA4201	BA4202	BA4203	
BA5201	BA5202		

BA1401	BA1402	BA1403	BA1404	BA1405	BA1406
BA2401	BA2402	BA2403			
BA3401	BA3402	BA3403			
BA4401	BA4402	BA4403			
BA5401	BA5402				

BA3501	BA3502	BA3503	BA3504	BA3505	BA3506
BA3507					

BA4601	BA4602	BA4603	BA4604	BA4605	BA4606
BA5601	BA5602				

The AC variable speed drive products listed above have been designed and manufactured in accordance with the following European harmonized standards:

EN 61800-5-1:2007	Adjustable speed electrical power drive systems - safety requirements - electrical, thermal and energy
EN 61800-3:2004	Adjustable speed electrical power drive systems. EMC product standard including specific test methods
EN 61000-6-2:2005	Electromagnetic compatibility (EMC). Generic standards. Immunity standard for industrial environments
EN 61000-6-4:2007	Electromagnetic compatibility (EMC). Generic standards. Emission standard for industrial environments

These products comply with the Low Voltage Directive 2006/95/EC and the Electromagnetic Compatibility Directive 2004/108/EC.



**T.Alexander**  
**Vice President, Technology**  
**Newtown**

**Date: 14th July 2009**

These electronic drive products are intended to be used with appropriate motors, controllers, electrical protection components and other equipment to form complete end products or systems. Compliance with safety and EMC regulations depends upon installing and configuring drives correctly, including using the specified input filters. The drives must be installed only by professional assemblers who are familiar with requirements for safety and EMC. The assembler is responsible for ensuring that the end product or system complies with all the relevant laws in the country where it is to be used. Refer to the User Guide. An EMC Data Sheet is also available giving detailed EMC information.

## Declaration of Conformity (Size 6)

**Control Techniques Ltd**  
**The Gro**  
**Newtown**  
**Powys**  
**UK**  
**SY16 3BE**

BA6401	BA6402
--------	--------

BA6601	BA6602
--------	--------

The AC variable speed drive products listed above have been designed and manufactured in accordance with the following European harmonized standards:

EN 61800-5-1:2007	Adjustable speed electrical power drive systems - safety requirements - electrical, thermal and energy
EN 61800-3:2004	Adjustable speed electrical power drive systems. EMC product standard including specific test methods
EN 61000-6-2:2005	Electromagnetic compatibility (EMC). Generic standards. Immunity standard for industrial environments

These products comply with the Low Voltage Directive 2006/95/EC and the Electromagnetic Compatibility Directive 2004/108/EC.



**T.Alexander**  
**Vice President, Technology**  
**Newtown**

**Date: 14th July 2009**

**These electronic drive products are intended to be used with appropriate motors, controllers, electrical protection components and other equipment to form complete end products or systems. Compliance with safety and EMC regulations depends upon installing and configuring drives correctly, including using the specified input filters. The drives must be installed only by professional assemblers who are familiar with requirements for safety and EMC. The assembler is responsible for ensuring that the end product or system complies with all the relevant laws in the country where it is to be used. Refer to the User Guide. An EMC Data Sheet is also available giving detailed EMC information.**

# 1 Safety information

## 1.1 Warnings, cautions and notes



A Warning contains information which is essential for avoiding a safety hazard.



A Caution contains information which is necessary for avoiding a risk of damage to the product or other equipment.

### NOTE

A Note contains information which helps to ensure correct operation of the product.

## 1.2 Electrical safety - general warning

The voltages used in the drive can cause severe electrical shock and/or burns, and could be lethal. Extreme care is necessary at all times when working with or adjacent to the drive.

Specific warnings are given at the relevant places in this User Guide.

## 1.3 System design and safety of personnel

The drive is intended as a component for professional incorporation into complete equipment or a system. If installed incorrectly, the drive may present a safety hazard.

The drive uses high voltages and currents, carries a high level of stored electrical energy, and is used to control equipment which can cause injury.

Close attention is required to the electrical installation and the system design to avoid hazards either in normal operation or in the event of equipment malfunction. System design, installation, commissioning/start-up and maintenance must be carried out by personnel who have the necessary training and experience. They must read this safety information and this User Guide carefully.

The STOP function of the drive do not isolate dangerous voltages from the output of the drive or from any external option unit. The supply must be disconnected by an approved electrical isolation device before gaining access to the electrical connections.

**None of the drive functions must be used to ensure safety of personnel, i.e. they must not be used for safety-related functions.**

Careful consideration must be given to the functions of the drive which might result in a hazard, either through their intended behavior or through incorrect operation due to a fault. In any application where a malfunction of the drive or its control system could lead to or allow damage, loss or injury, a risk analysis must be carried out, and where necessary, further measures taken to reduce the risk - for example, an over-speed protection device in case of failure of the speed control, or a fail-safe mechanical brake in case of loss of motor braking.

## 1.4 Environmental limits

Instructions in this User Guide regarding transport, storage, installation and use of the drive must be complied with, including the specified environmental limits. Drives must not be subjected to excessive physical force.

## 1.5 Access

Access must be restricted to authorized personnel only. Safety regulations which apply at the place of use must be complied with.

## 1.6 Fire protection

The drive enclosure is not classified as a fire enclosure. A separate fire enclosure must be provided.

## 1.7 Compliance with regulations

The installer is responsible for complying with all relevant regulations, such as national wiring regulations, accident prevention regulations and electromagnetic compatibility (EMC) regulations. Particular attention must be given to the cross-sectional areas of conductors, the selection of fuses or other protection, and protective earth (ground) connections.

This User Guide contains instruction for achieving compliance with specific EMC standards.

Within the European Union, all machinery in which this product is used must comply with the following directives:

2006/42/EC: Safety of machinery.

2004/108/EC: Electromagnetic Compatibility.

## 1.8 Motor

Ensure the motor is installed in accordance with the manufacturer's recommendations. Ensure the motor shaft is not exposed.

Standard squirrel cage induction motors are designed for single speed operation. If it is intended to use the capability of the drive to run a motor at speeds above its designed maximum, it is strongly recommended that the manufacturer is consulted first.

Low speeds may cause the motor to overheat because the cooling fan becomes less effective. The motor should be installed with a protection thermistor. If necessary, an electric forced vent fan should be used.

The values of the motor parameters set in the drive affect the protection of the motor. The default values in the drive should not be relied upon.

It is essential that the correct value is entered in parameter **0.46** motor rated current. This affects the thermal protection of the motor.

## 1.9 Adjusting parameters

Some parameters have a profound effect on the operation of the drive. They must not be altered without careful consideration of the impact on the controlled system. Measures must be taken to prevent unwanted changes due to error or tampering.

## 1.10 Electrical installation

### 1.10.1 Electric shock risk

The voltages present in the following locations can cause severe electric shock and may be lethal:

- AC supply cables and connections
- Output cables and connections
- Many internal parts of the drive, and external option units

Unless otherwise indicated, control terminals are single insulated and must not be touched.

### 1.10.2 Stored charge

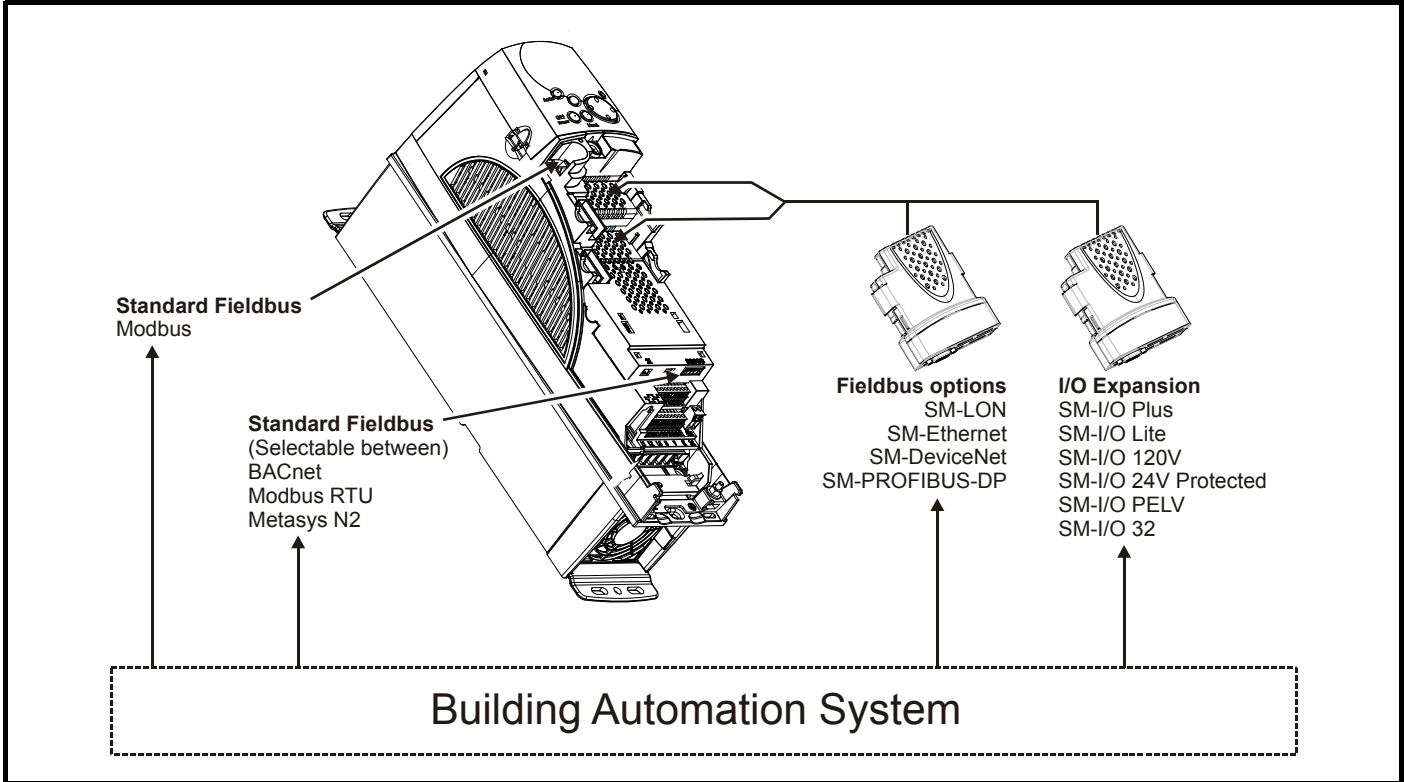
The drive contains capacitors that remain charged to a potentially lethal voltage after the AC supply has been disconnected. If the drive has been energized, the AC supply must be isolated at least ten minutes before work may continue.

## 2 Product information

### 2.1 Introduction

The Affinity is a high performance open loop AC drive specifically designed for use in building automation HVAC/R applications. Figure 2-1 below indicates the key product features including built in connectivity to building automation systems. Each drive is equipped with two identical option slots for I/O and communications expansion

Figure 2-1 Features



The Affinity drive can be used as a standalone motor controller or integrated into a building automation system using analog and digital I/O or serial communications. The base drive incorporates a RS-485 serial communications port that is selectable between BACnet, Metasys N2 or Modbus RTU. LonWorks, Ethernet, Profibus and DeviceNet connectivity is achieved with the addition of plug-in option modules.

#### Key features:

##### Fire Mode

Fire Mode is a configurable override function that is used to alter the operation of the drive based upon external inputs, typically a discrete digital input from a Building Management Fire Protection system (refer to section 11.21.3 *Fire mode* on page 210).

##### Fire Mode - Important Warning

When Fire Mode is active the motor overload and thermal protection are disabled, as well as a number of drive protection functions. Fire Mode is provided for use only in emergency situations where the safety risk from disabling protection is less than the risk from the drive tripping - typically in smoke extraction operation to permit evacuation of a building. The use of Fire Mode itself causes a risk of fire from overloading of the motor or drive, so it must only be used after careful consideration of the balance of risks.

Care must be taken to prevent inadvertent activation or de-activation of Fire Mode. Fire Mode is indicated by a flashing display text warning "Fire mode active".

Care must be taken to ensure that parameters Pr 1.53 or Pr 1.54 are not inadvertently re-allocated to different inputs or variables. It should be noted that, by default, Pr 1.54 is controlled from digital input 4 and changing Pr 6.04 or Pr 8.24 can re-allocate this digital input to another parameter. These parameters are at access level 2 in order to minimize the risk of inadvertent or unauthorized changes. It is recommended that User Security be applied to further reduce the risk (see section 5.10 *Parameter access level and security* on page 95). These parameters may also be changed via serial communications so adequate precautions should be taken if this functionality is utilized.

##### Real time Clock

An internal real time clock is available which is used for the timer functions and trip log

##### Timer functions

Two timers are available to switch an output on a routine basis

##### Sleep/Wake Mode

Sleep/wake mode stops and starts the motor during periods of low demand to improve system efficiency

##### Advanced Process PID

Two PIDs are available which can operate independently or combine to provide more complex functionality



## 2.2 Drive types

There are three versions of Affinity drive available:

- Standard
- IP54 (NEMA12)
- IP66 (NEMA12)

The IP54 and IP66 drives are identified by additional characters at the end of the model number, i.e. E12/E54 or E12/E66. The standard drive has no additional characters.

The standard drives are rated to IP20/NEMA1. Drive sizes 1 and 3 conform to UL Type 1 and sizes 4 to 6 are Open Class. If the optional conduit box (refer to section 3.5 *Mounting methods* on page 29) is installed, then drive sizes 4 to 6 conform to UL Type 1.

The E12/E54 and E12/E66 drives have an additional cover installed. They are rated to IP54/NEMA12 and IP66/NEMA12 respectively and both conform to UL Type 12. E12/E54 and E12/E66 drive sizes 1 to 3 have an internal fan installed to re-circulate the air. The larger drive sizes have fans installed to the cover to provide forced ventilation using filtered air.

## 2.3 Ratings

Self ventilated (TENV/TEFC) induction motors require increased protection against overload due to the reduced cooling effect of the fan at low speed. To provide the correct level of protection the I<sup>2</sup>t software operates at a level which is speed dependent. This is illustrated in the graph below.

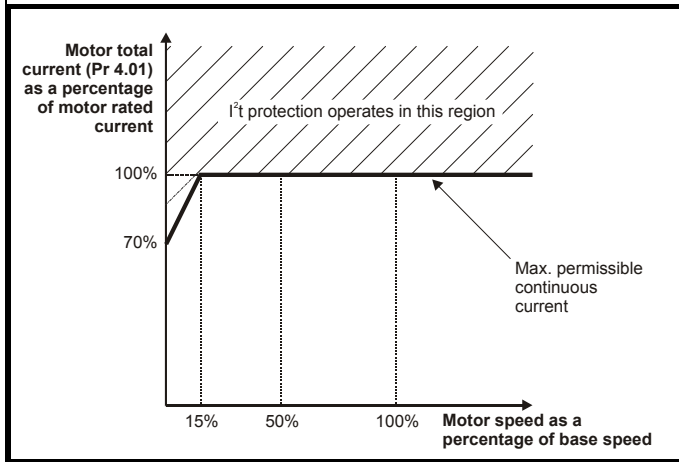
### NOTE

The protection starts when the motor speed is below 50% of base speed.

#### Operation of motor I<sup>2</sup>t protection (I<sub>t</sub> AC trip)



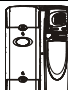

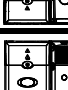
Motor I<sup>2</sup>t protection is fixed as shown below and is compatible with:

- Self ventilated (TENV/TEFC) induction motors





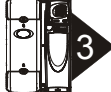
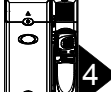
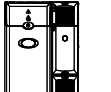
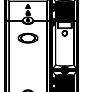
For size 1 to 6 standard drives, size 1 to 3 E12/54 drives and size 1 to 3 E12/E66 drives, the continuous current ratings given are for maximum 40°C (104°F), 1000m altitude and 3.0kHz switching. For size 4 to 6 E12/54 drives, the continuous current ratings given are for maximum 35°C (95°F), 1000m altitude and 3.0kHz switching. For further information refer to section 12.1.1 *Power and current ratings (Derating for switching frequency and temperature)* on page 222.

**Table 2-1 200V Drive ratings (200V to 240V ±10%)**

Model	Maximum continuous output current	Nominal power at 220V	Motor power at 230V	Peak current
	A	kW	hp	A
 1	1201	5.2	1.1	5.7
	1202	6.8	1.5	7.4
	1203	9.6	2.2	10.5
	1204	11	3.0	12.1
 2	2201	15.5	4.0	17.0
	2202	22	5.5	24.2
	2203	28	7.5	30.8
 3	3201	42	11	46
	3202	54	15	59
 4	4201	68	18.5	74
	4202	80	22	88
	4203	104	30	114
 5	5201	130	37	143
	5202	154	45	169

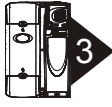
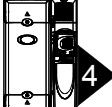
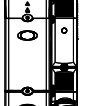
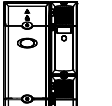
For size 1 to 6 standard drives, size 1 to 3 E12/54 drives, and size 1 to 3 E12/E66 drives, the continuous current ratings given are for maximum 40°C (104°F), 1000m altitude and 3.0kHz switching. For size 4 to 6 E12/54 drives, the continuous current ratings given are for maximum 35°C (95°F), 1000m altitude and 3.0kHz switching. For further information refer to section 12.1.1 *Power and current ratings (Derating for switching frequency and temperature)* on page 222.

**Table 2-2 400V Drive ratings (380V to 480V ±10%)**

Model	Maximum continuous output current	Nominal power at 400V	Motor power at 460V	Peak current
	A	kW	hp	A
	1401	2.8	1.1	3.0
	1402	3.8	1.5	4.1
	1403	5.0	2.2	5.5
	1404	6.9	3.0	7.5
	1405	8.8	4.0	9.6
	1406	11	5.5	7.5
	2401	15.3	7.5	16.8
	2402	21	11	23
	2403	29	15	31
	3401	35	18.5	38
	3402	43	22	47
	3403	56	30	61
	4401	68	37	74
	4402	83	45	91
	4403	104	55	114
	5401	138	75	151
	5402	168	90	184
	6401	205	110	225
	6402	236	132	259

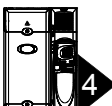
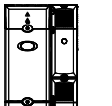
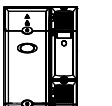
For size 1 to 6 standard drives, size 1 to 3 E12/54 drives, and size 1 to 3 E12/E66 drives, the continuous current ratings given are for maximum 40°C (104°F), 1000m altitude and 3.0kHz switching. For size 4 to 6 E12/54 drives, the continuous current ratings given are for maximum 35°C (95°F), 1000m altitude and 3.0kHz switching. For further information refer to section 12.1.1 *Power and current ratings (Derating for switching frequency and temperature)* on page 222.

**Table 2-3 575V Drive ratings (500V to 575V ±10%)**

Model	Maximum continuous output current	Nominal power at 575V	Motor power at 575V	Peak current
	A	kW	hp	A
	3501	5.4	3.0	5.9
	3502	6.1	4.0	6.7
	3503	8.4	5.5	7.5
	3504	11	7.5	10
	3505	16	11	15
	3506	22	15	20
	3507	27	18.5	25
	4603	36	22	30
	4604	43	30	40
	4605	52	37	50
	4606	62	45	60
	5601	84	55	75
	5602	99	75	100
	6601	125	90	125
	6602	144	110	150

The power ratings above for model size 4 and larger are for the 690V drives when used on a 500V to 575V supply.

**Table 2-4 690V Drive ratings (500V to 690V ±10%)**

Model	Maximum continuous output current	Nominal power at 690V	Motor power at 690V	Peak current
	A	kW	hp	A
	4601	22	18.5	24.2
	4602	27	22	29.7
	4603	36	30	40
	4604	43	37	50
	4605	52	45	60
	4606	62	55	75
		5601	84	75
5602		99	90	125
	6601	125	110	150
	6602	144	132	175

### 2.3.1 Typical short term overload limits

The maximum percentage overload limit changes depending on the selected motor. Variations in motor rated current, motor power factor and motor leakage inductance all result in changes in the maximum possible overload. The exact value for a specific motor can be calculated using the equations detailed in Menu 4 in the *Advanced User Guide*.

Typical values are shown in the table below for RFC mode (RFC) and open loop (OL) modes:

**Table 2-5 Typical overload limits for size 1 to 6**

Operating mode	RFC mode from cold	RFC mode from 100%	Open loop from cold	Open loop from 100%
Overload with motor rated current = drive rated current	110% for 165s	110% for 9s	110% for 165s	110% for 9s

Generally the drive rated current is higher than the matching motor rated current allowing a higher level of overload than the default setting as illustrated by the example of a typical 4 pole motor.

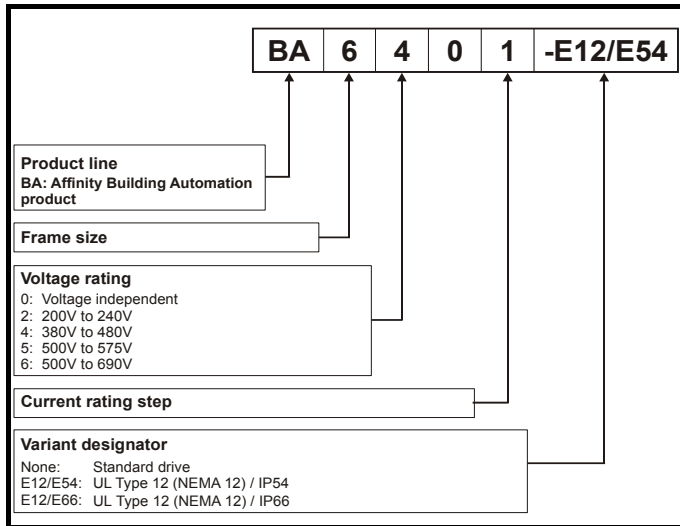
The time allowed in the overload region is proportionally reduced at very low output frequency.

**NOTE**

The maximum overload level which can be attained is independent of the speed.

## 2.4 Model number

The way in which the model numbers for the Affinity range are formed is illustrated below.



## 2.5 Operating modes

The Affinity is designed to operate in any of the following modes:

- Open loop mode
  - Open loop vector mode
  - Fixed V/F mode (V/Hz)
  - Quadratic V/F mode (V/Hz)
- RFC mode

### 2.5.1 Open loop mode

The drive applies power to the motor at frequencies varied by the user. The motor speed is a result of the output frequency of the drive and slip due to the mechanical load. The drive can improve the speed control of the motor by applying slip compensation. The performance at low speed depends on whether V/F mode or open loop vector mode is selected.

For further details refer to section 8.1.1 *Open loop motor control* on page 118.

#### Open loop vector mode

The voltage applied to the motor is directly proportional to the frequency except at low speed where the drive uses motor parameters to apply the correct voltage to keep the flux constant under varying load conditions.

Typically 100% torque is available down to 1Hz for a 50Hz motor.

#### Fixed V/F mode

The voltage applied to the motor is directly proportional to the frequency except at low speed where a voltage boost is provided which is set by the user. This mode can be used for multi-motor applications.

Typically 100% torque is available down to 4Hz for a 50Hz motor.

### Quadratic V/F mode

The voltage applied to the motor is directly proportional to the square of the frequency except at low speed where a voltage boost is provided which is set by the user. This mode can be used for running fan or pump applications with quadratic load characteristics or for multi-motor applications. This mode is not suitable for applications requiring a high starting torque.

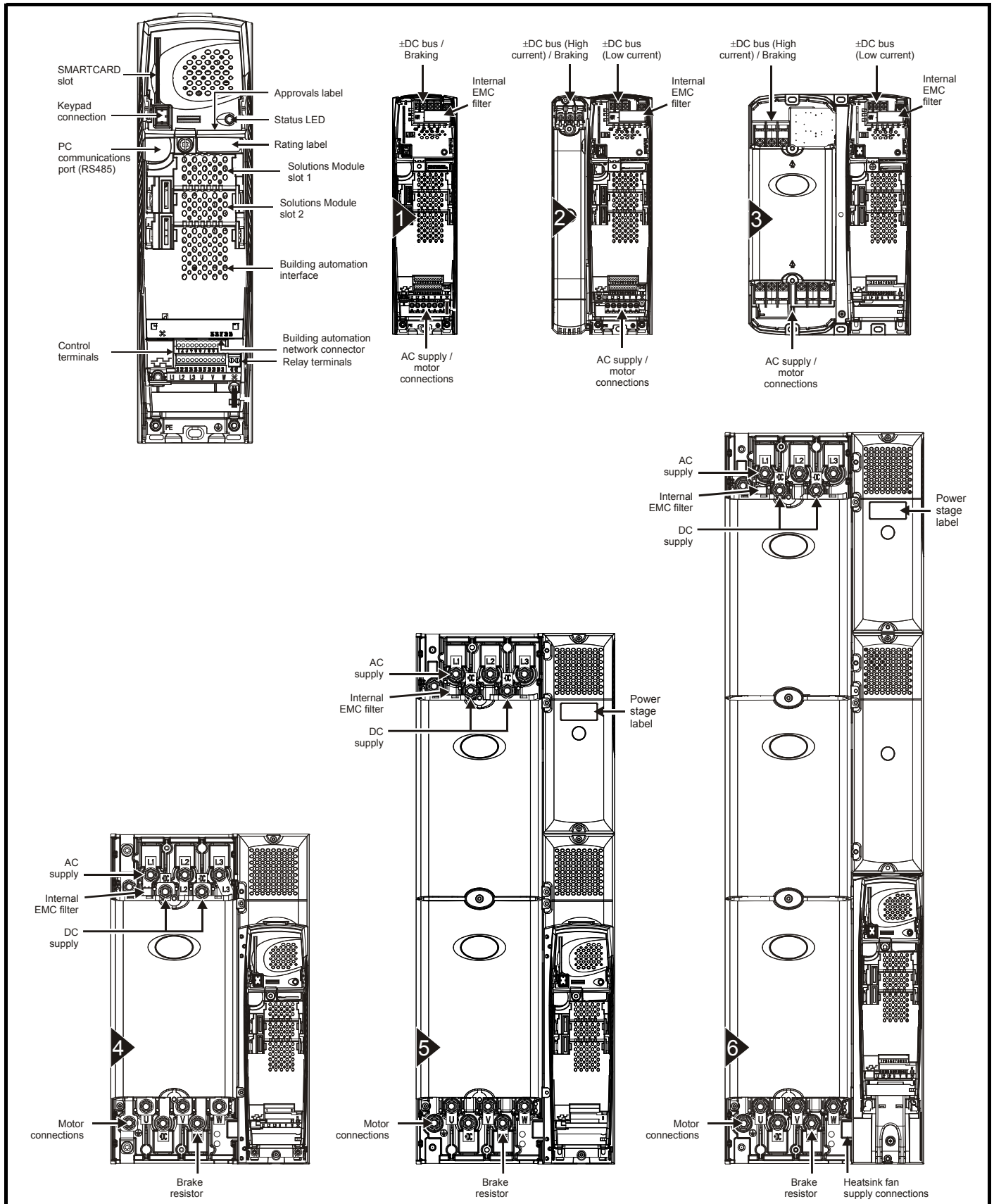
### 2.5.2 RFC mode

Rotor flux control provides closed loop control without the need for position feedback by using current, voltages and key motor parameters to estimate the motor speed. It can eliminate instability traditionally associated with open loop control such as operating large motors with light loads at low frequencies.

For further details, refer to section 8.1.2 *RFC mode* on page 121.

## 2.6 Drive features

Figure 2-2 Features of the drive



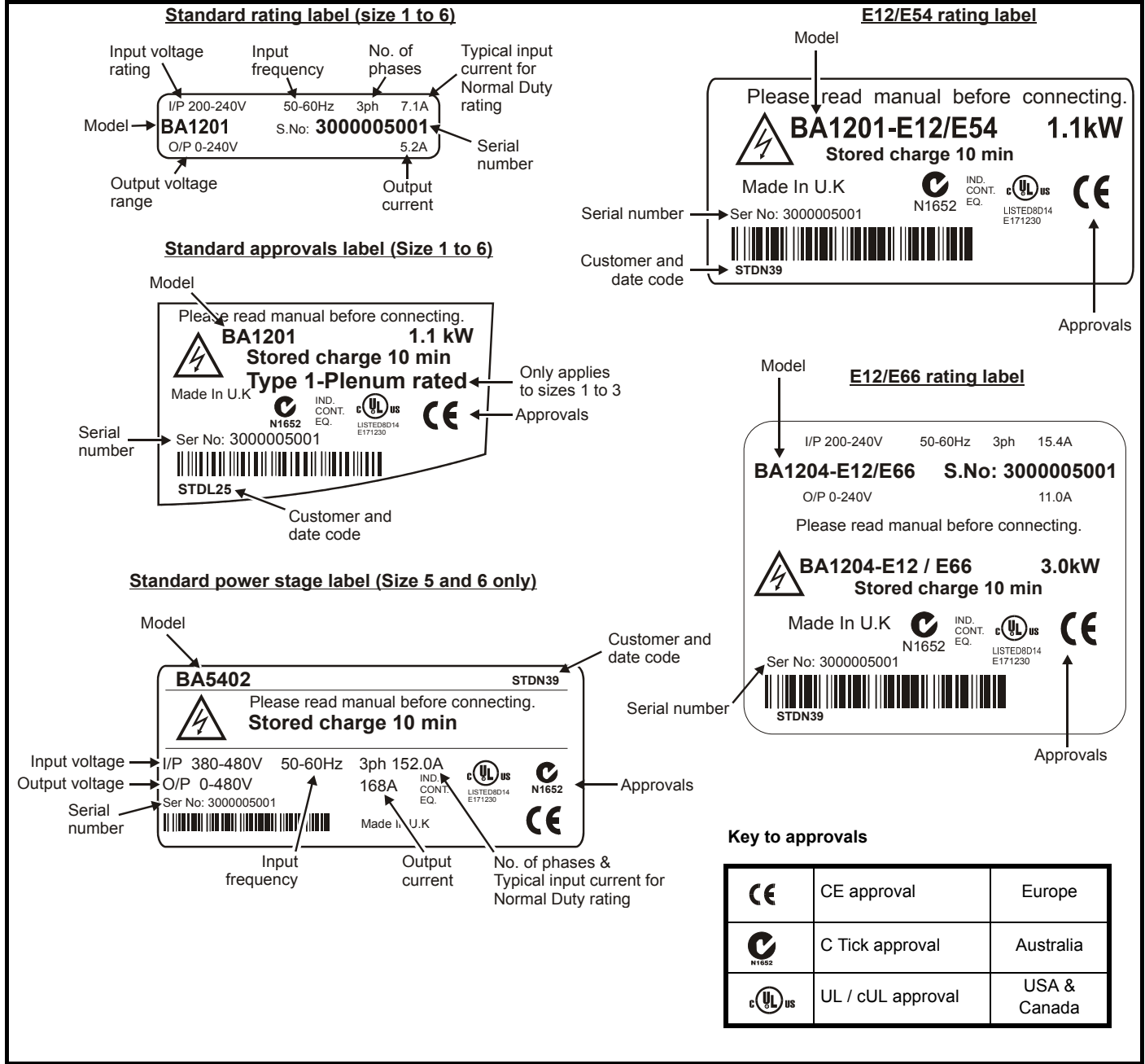
**NOTE**

The size 6 drive requires a 24V supply for the heatsink fan.

## 2.7 Nameplate description

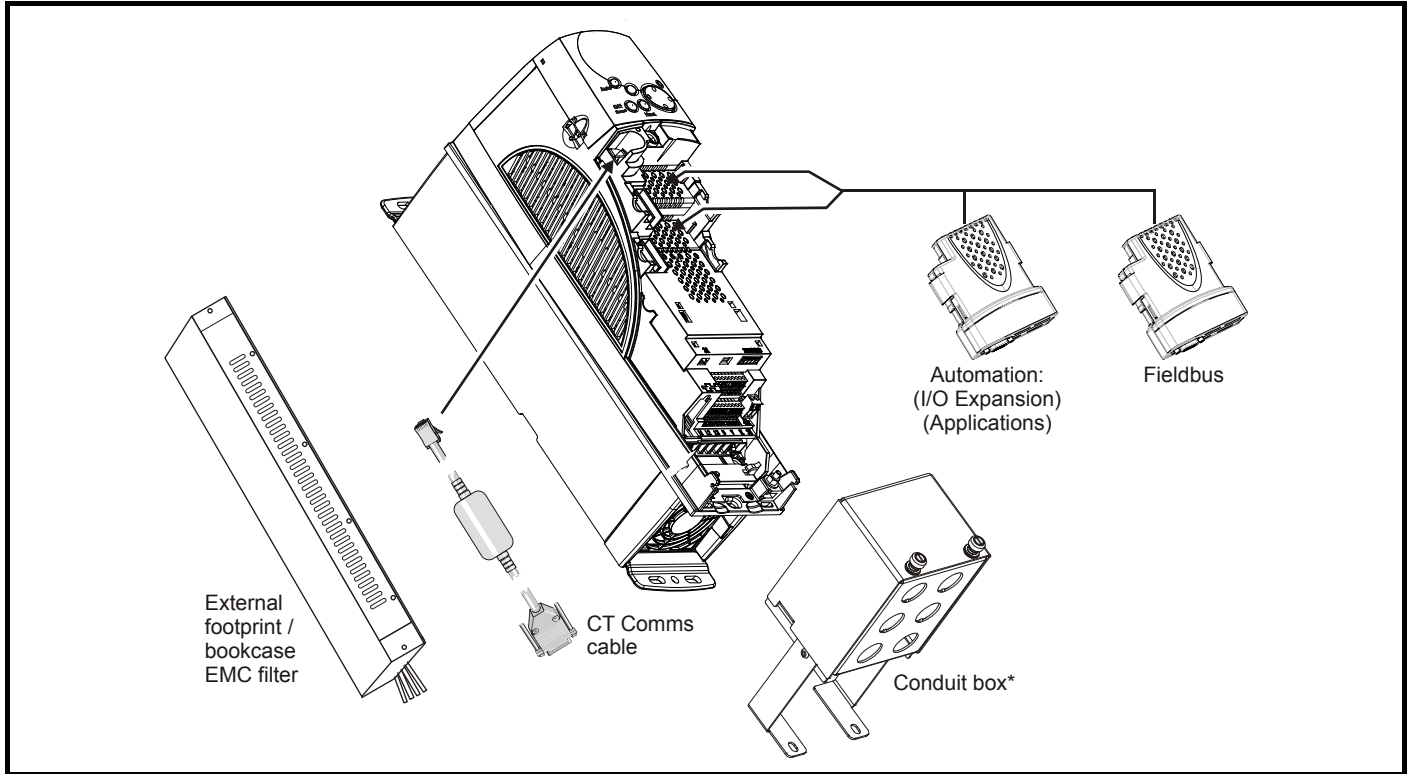
See Figure 2-2 for location of rating labels.

Figure 2-3 Typical drive rating labels



## 2.8 Options







Figure 2-4 Options available with Affinity



\* For sizes 1 and 2 there is only a bottom conduit box available. For sizes 3 to 6 there is a top and bottom conduit box available.














All Solutions Modules are color-coded in order to make identification easy. The following table shows the color-code key and gives further details on their function.

Table 2-6 Solutions Module identification

Type	Solutions Module	Color	Name	Further Details
Automation (I/O Expansion)		Yellow	SM-I/O Plus	<b>Extended I/O interface</b> Increases the I/O capability by adding the following to the existing I/O in the drive: <ul style="list-style-type: none"> <li>Digital inputs x 3</li> <li>Digital I/O x 3</li> <li>Analog inputs (voltage) x 2</li> <li>Analog output (voltage) x 1</li> <li>Relay x 2</li> </ul>
		Yellow	SM-I/O 32	<b>Extended I/O interface</b> Increase the I/O capability by adding the following to the existing I/O in the drive: <ul style="list-style-type: none"> <li>High speed digital I/O x 32</li> <li>+24V output</li> </ul>
		Dark Yellow	SM-I/O Lite	<b>Additional I/O</b> 1 x Analog input ( $\pm 10V$ bi-polar or current modes) 1 x Analog output (0-10V or current modes) 3 x Digital input and 1 x Relay
		Turquoise	SM-I/O PELV	<b>Isolated I/O to NAMUR NE37 specifications</b> For chemical industry applications 1 x Analog input (current modes) 2 x Analog outputs (current modes) 4 x Digital input / outputs, 1 x Digital input, 2 x Relay outputs
		Olive	SM-I/O 120V	<b>Additional I/O conforming to IEC 61131-2 120Vac</b> 6 digital inputs and 2 relay outputs rated for 120Vac operation
		Cobalt Blue	SM-I/O 24V Protected	<b>Additional I/O with overvoltage protection up to 48V</b> 2 x Analog outputs (current modes) 4 x Digital input / outputs, 3 x Digital inputs, 2 x Relay outputs



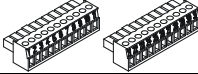




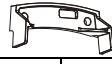
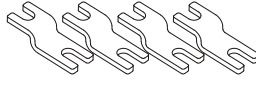

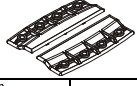
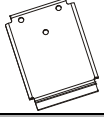
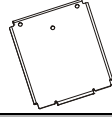
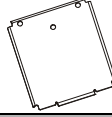
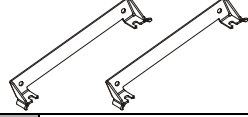
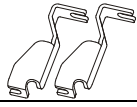




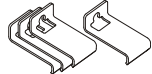

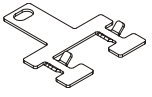
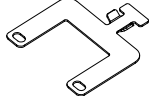
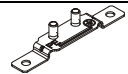
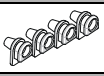
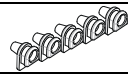
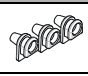

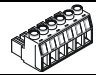

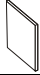


**Table 2-6 Solutions Module identification**

Type	Solutions Module	Color	Name	Further Details
Automation (Applications)		Dark Green	SM-Applications	<b>Applications Processor (with CTNet)</b> 2 <sup>nd</sup> processor for running pre-defined and /or customer created application software with CTNet support
		White	SM-Applications Lite	<b>Applications Processor</b> 2 <sup>nd</sup> processor for running pre-defined and /or customer created application software
		Moss Green	SM-Applications Plus	<b>Applications Processor (with CTNet)</b> 2 <sup>nd</sup> processor for running pre-defined and /or customer created application software with CTNet support. Enhanced performance over SM-Applications
		White	SM-Applications Lite V2	<b>Applications Processor</b> 2 <sup>nd</sup> processor for running pre-defined and /or customer created application software. Enhanced performance over SM-Applications Lite
Fieldbus		Brown Red	SM-EtherCAT	<b>EtherCAT option</b> EtherCAT adapter for communications with the drive
		Purple	SM-PROFIBUS-DP	<b>Profibus option</b> PROFIBUS DP adapter for communications with the drive
		Medium Grey	SM-DeviceNet	<b>DeviceNet option</b> Devicenet adapter for communications with the drive
		Beige	SM-Ethernet	<b>Ethernet option</b> 10 base-T / 100 base-T; Supports web pages, SMTP mail and multiple protocols: DHCP IP addressing; Standard RJ45 connection
		Pale Green	SM-LON	<b>LonWorks option</b> LonWorks adapter for communications with the drive
		Dark Grey	SM-INTERBUS	<b>Interbus option</b> Interbus adapter for communications with the drive
		Pink	SM-CAN	<b>CAN option</b> CAN adapter for communications with the drive
		Light Grey	SM-CANopen	<b>CANopen option</b> CANopen adapter for communications with the drive
		Red	SM-SERCOS	<b>SERCOS option</b> Class B compliant. Torque velocity and position control modes supported with data rates (bit/s): 2MB, 4MB, 8MB and 16MB. Minimum 250µs network cycle time. Two digital high speed probe inputs 1µs for position capture

## 2.9 Items supplied with the drive

The drive is supplied with a BA-Keypad, a printed manual, a SMARTCARD, a safety information booklet, the Certificate of Quality, an accessory kit box including the items shown in Table 2-7, and a CD ROM containing all related product documentation and software tools.

Table 2-7 Parts supplied with the drive

Description	Size 1	Size 2	Size 3	Size 4	Size 5	Size 6
Control connectors						
Relay connector						
Grounding bracket						
Through panel mounting gasket*						
HVAC/R communication connector						
Through panel mounting bracket						
Surface mounting brackets						
E12/E54 surface mounting brackets						
Top surface mounting brackets*						
Nylon washers*	 M6	 M6	 M6		 M8 M6	
Sealing clips*						
Mounting screws					 M8x20	
Grounding clamp						
Ground cable bridge						
DC terminal cover grommets*						
Ferrite ring						
Supply and motor connector						
Fan supply connector						
IP54 gasket*						
IP54 insert*						
BA-Keypad						

## 3 Mechanical installation

This chapter describes how to use all mechanical details to install the drive.

The standard drive is rated as IP20/UL Type 1 for size 1 to 3 and IP20/open class for size 4 to 6. If the optional conduit box is installed, then size 4 to 6 are rated as UL Type 1. (The conduit box is an additional accessory for all sizes of the standard drive and is required for conduit connection to the drive).

The standard drive is intended to be installed as appropriate for the country where the equipment is used e.g. inside an additional enclosure, plenum or on a plant room wall.

The E12/E54 and E12/E66 drives have additional covers installed.

The E12/E54 drive is IP54/UL Type 12 rated and as such may be installed on a plant room wall and requires no additional enclosure.

The E12/E66 drive is IP66/UL Type 12 rated and as such may be installed in areas subject to wash-down, and requires no additional enclosure.

The E12/E66 drives can also be installed externally subject to the notes given in section 3.2.3.

The UL Type 1 and UL Type 12 drives are also plenum rated and are therefore suitable for Plenum mounting applications.

Key features of this chapter include:

- Planning the installation
- Terminal cover removal
- Conduit and conduit connection
- Solutions Module installation
- Surface mounting standard drive
- Through-hole mounting standard drive
- E12/E54 mounting
- Through panel mounting standard drive in an IP54/UL Type 12 enclosure
- Enclosure sizing and layout
- Terminal location and torque settings

### 3.1 Safety information



**WARNING**

Follow the instructions  
The mechanical and electrical installation instructions must be adhered to. Any questions or doubt should be referred to the supplier of the equipment. It is the responsibility of the owner or user to ensure that the installation of the drive and any external option unit, and the way in which they are operated and maintained, comply with the requirements of the Health and Safety at Work Act in the United Kingdom or applicable legislation and regulations and codes of practice in the country in which the equipment is used.



**WARNING**

Competence of the installer  
The drive must be installed by professional assemblers who are familiar with the requirements for safety and EMC. The assembler is responsible for ensuring that the end product or system complies with all the relevant laws in the country where it is to be used.



**WARNING**

Many of the drives in this product range weigh in excess of 15kg (33lb). Use appropriate safeguards when lifting these models.  
A full list of drive weights can be found in section 12.1.18 *Weights* on page 235

### 3.2 Planning the installation

The following considerations must be made when planning the installation:

#### 3.2.1 Access

Access must be restricted to authorized personnel only. Safety regulations which apply at the place of use must be complied with.

#### 3.2.2 Environmental protection

The standard drive must be protected from:

- moisture, including dripping water or spraying water and condensation. An anti-condensation heater may be required, which must be switched off when the drive is running.
- contamination with electrically conductive material
- contamination with any form of dust which may restrict the fan, or impair airflow over various components
- temperature beyond the specified operating and storage ranges
- corrosive gasses

The E12/E54 variant is protected from airborne dust, splashing water and non-corrosive liquids. The E12/E66 variant is dust-tight and protected from powerful jets of water, heavy seas and non-corrosive liquids.

#### 3.2.3 External installations

The E12/E54 and E12/E66 drives may be installed externally, but it should be noted that the drive covers could degrade over a long period of time if they are subjected to high levels of UV radiation. It is therefore advisable to provide some degree of shade, or preferably to mount the drive where it receives little or no direct sunlight.

#### 3.2.4 Cooling

If mounting the drive in an enclosure the heat produced must be removed without its specified operating temperature being exceeded. Note that a sealed enclosure gives much reduced cooling compared with a ventilated one, and may need to be larger and/or use internal air circulating fans.

For further information, refer to section 3.6.2 *Enclosure sizing* on page 46.

The E12/E54 drive has an additional fan installed internally to assist cooling by circulating air between the outer cover and the drive or filtering air through external vents (size 4 to 6).

#### 3.2.5 Electrical safety

The installation must be safe under normal and fault conditions. Electrical installation instructions are given in Chapter 4 *Electrical installation* on page 64.

#### 3.2.6 Fire protection

The drive enclosure is not classified as a fire enclosure. A separate fire enclosure must be provided.

#### 3.2.7 Electromagnetic compatibility

Variable speed drives are powerful electronic circuits which can cause electromagnetic interference if not installed correctly with careful attention to the layout of the wiring.

Some simple routine precautions can prevent disturbance to typical industrial control equipment.

If it is necessary to meet strict emission limits, or if it is known that electromagnetically sensitive equipment is located nearby, then full precautions must be observed. In-built into the drive, is an internal EMC filter, which reduces emissions under certain conditions. If these conditions are exceeded, then the use of an external EMC filter may be required at the drive inputs, which must be located very close to the drives. Space must be made available for the filters and allowance made for carefully segregated wiring. Both levels of precautions are covered in section 4.11 *EMC (Electromagnetic compatibility)* on page 76.

#### 3.2.8 Hazardous areas

The drive must not be located in a classified hazardous area unless it is installed in an approved enclosure and the installation is certified.

### 3.3 Terminal cover removal



#### Isolation device

The AC supply must be disconnected from the drive using an approved isolation device before any cover is removed from the drive or before any servicing work is performed.



#### Stored charge

The drive contains capacitors that remain charged to a potentially lethal voltage after the AC supply has been disconnected. If the drive has been energized, the AC supply must be isolated at least ten minutes before work may continue.

Normally, the capacitors are discharged by an internal resistor. Under certain, unusual fault conditions, it is possible that the capacitors may fail to discharge, or be prevented from being discharged by a voltage applied to the output terminals. If the drive has failed in a manner that causes the display to go blank immediately, it is possible the capacitors will not be discharged. In this case, consult Control Techniques or their authorized distributor.

#### 3.3.1 Removing the terminal covers

##### Standard drive

Size 1 is installed with two terminal covers: AC/Control and DC terminal covers.

Size 2 is installed with three terminal covers: AC/Control, High current DC / Braking and low voltage DC terminal covers.

Size 3 is installed with four terminal covers: Control, High current DC / Braking, low voltage DC and AC terminal covers.

Size 4, 5 and 6 are installed with three terminal covers: Control, input and output terminal covers.

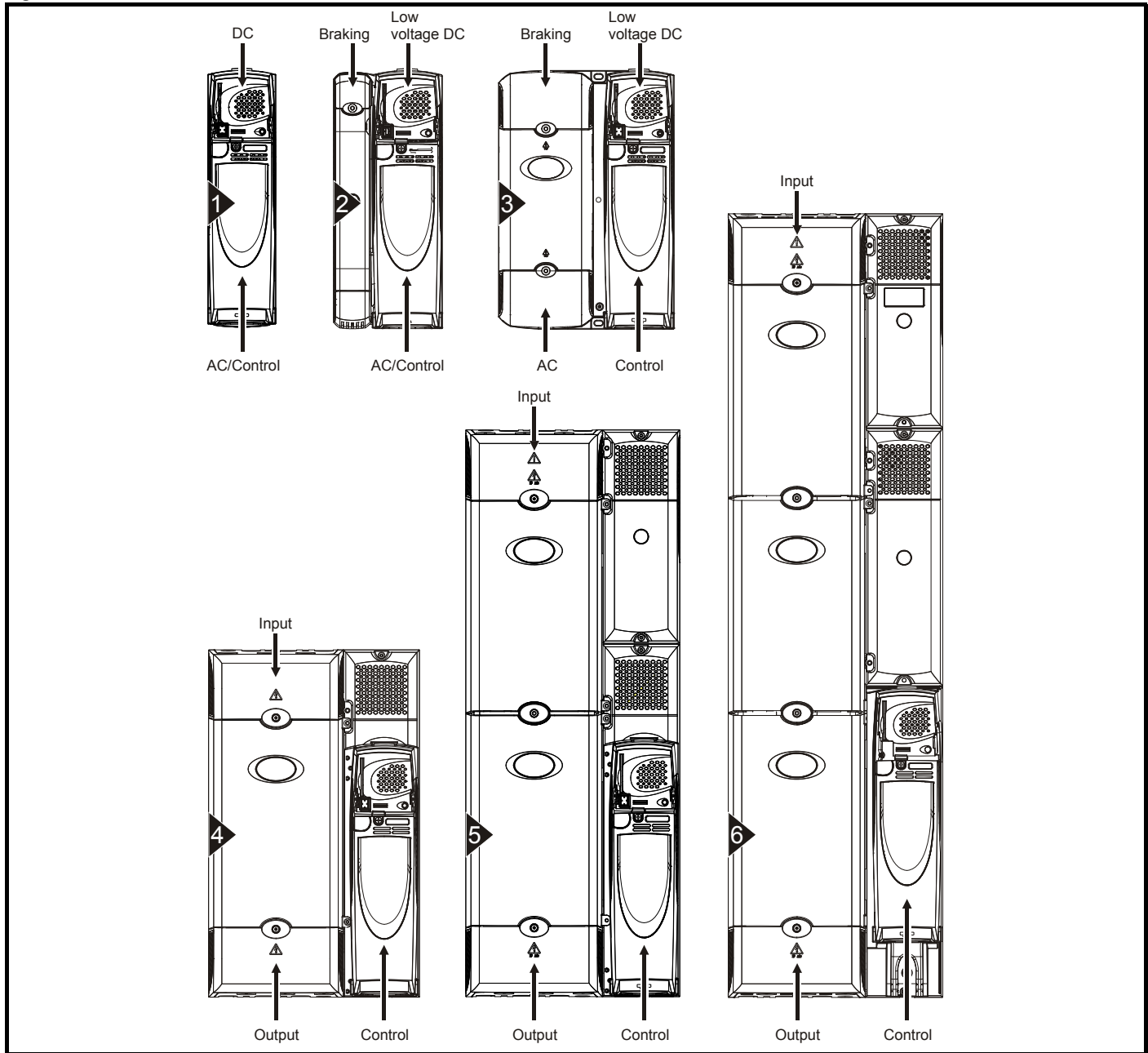
In order to provide access to the mounting holes when a size 1, 2 or 3 drive is through-panel mounted, the control terminal cover must be removed. For size 3 the high current DC / Braking and AC terminal covers must also be removed. Once the drive has been mounted, the terminal covers can be replaced.

##### E12/E54 and E12/E66

Size 1 to 4 are only installed with 1 outer cover which is held on by 6 sealing screws. By removing this cover access can be gained to all power and control terminals as per the standard drive. No further covers require removal.

Size 5 and 6 are installed with 2 removable covers, top and bottom, for access to input, output and control terminals.

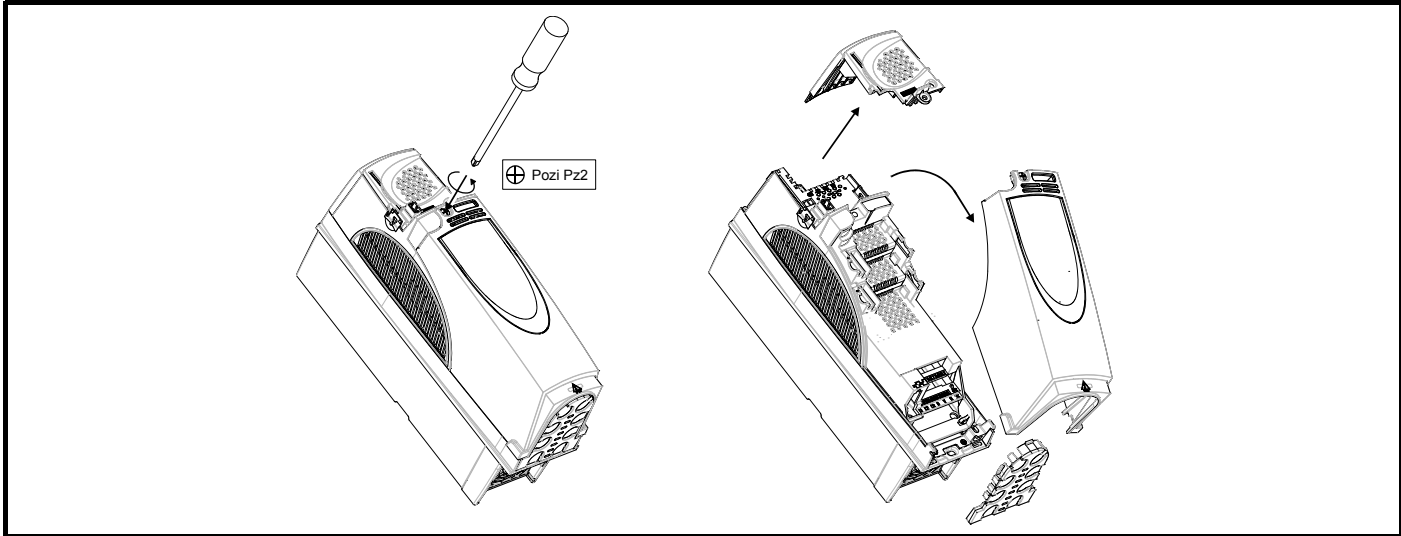
**Figure 3-1 Location and identification of standard drive terminal covers**



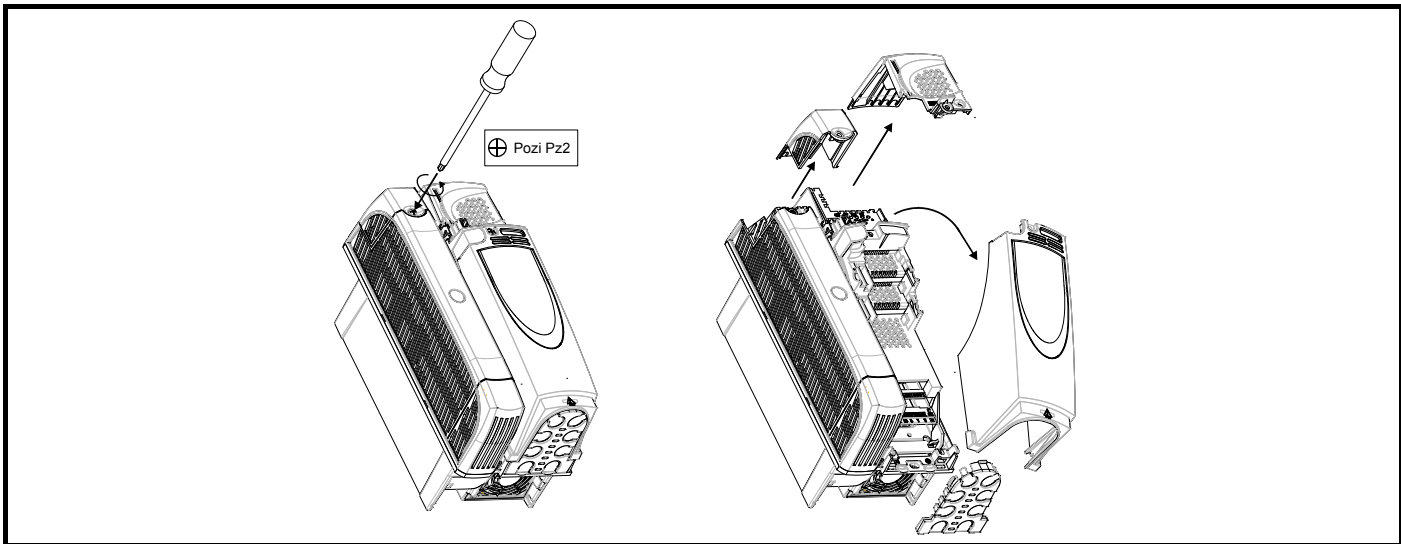
To remove a terminal cover, undo the screw and lift the terminal cover off as shown. The control terminal cover must be removed first before the DC (size 1) / low voltage DC (sizes 2 and 3) terminal cover can be removed.

When replacing the terminal covers the screws should be tightened with a maximum torque of 1 N m (0.7 lb ft).

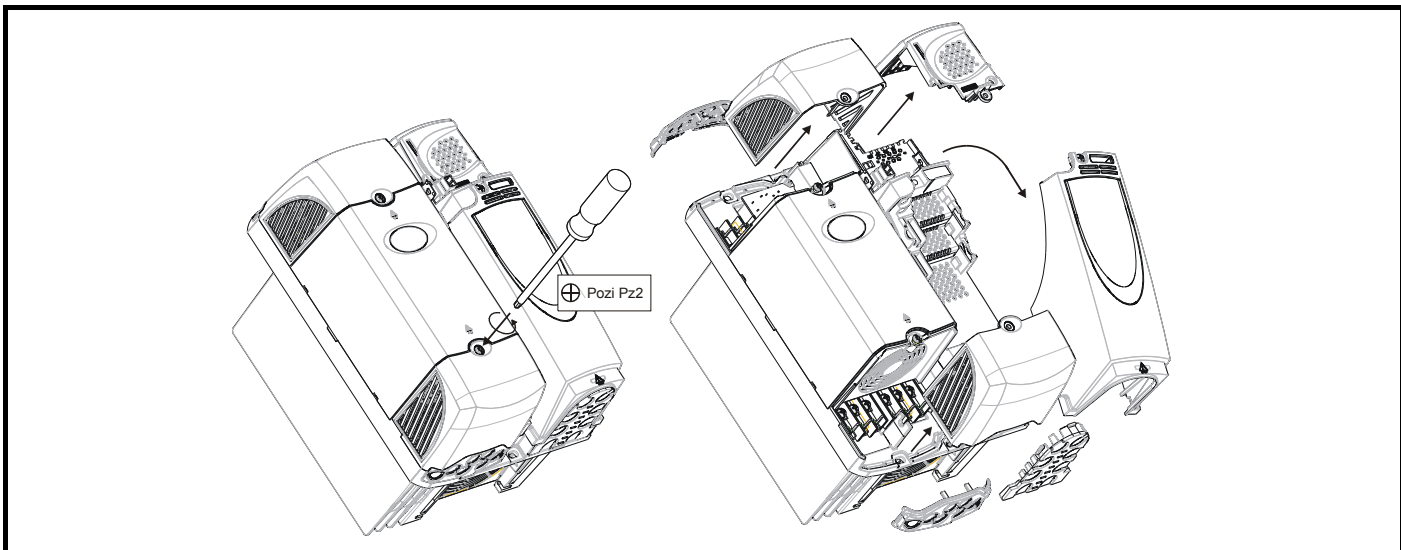
**Figure 3-2 Removing the standard drive size 1 terminal covers**



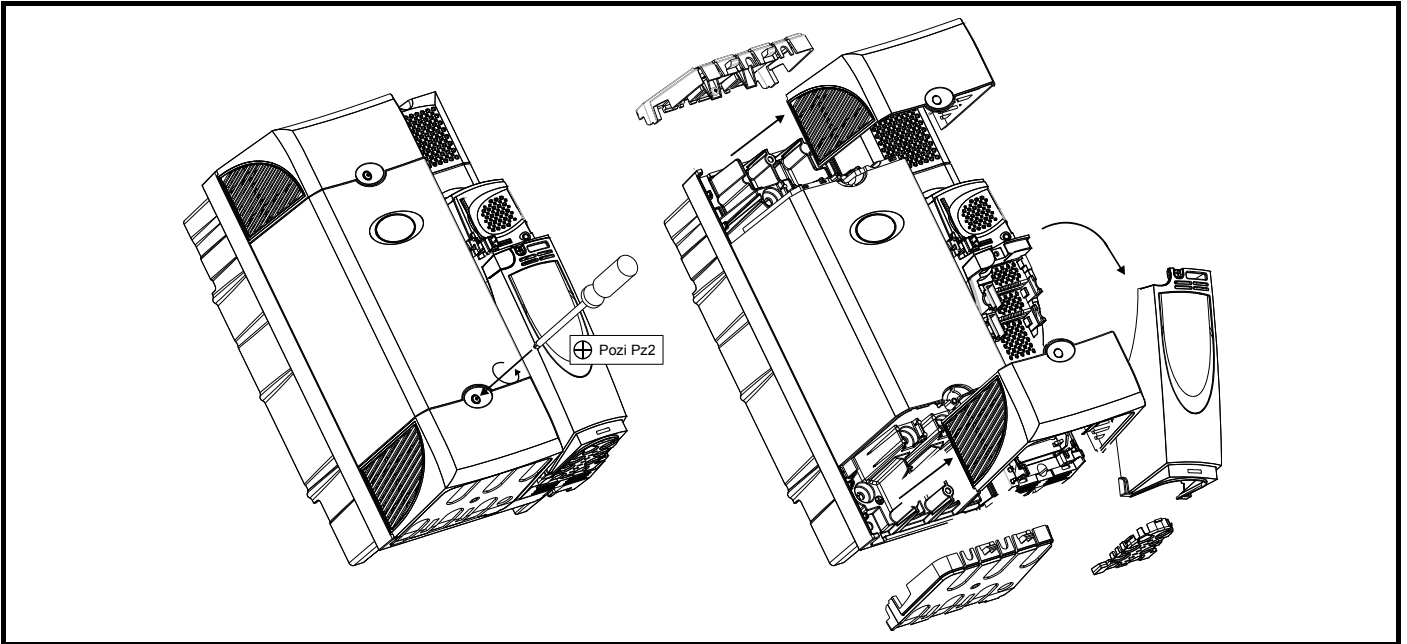
**Figure 3-3 Removing the standard drive size 2 terminal covers**



**Figure 3-4 Removing the standard drive size 3 terminal covers**

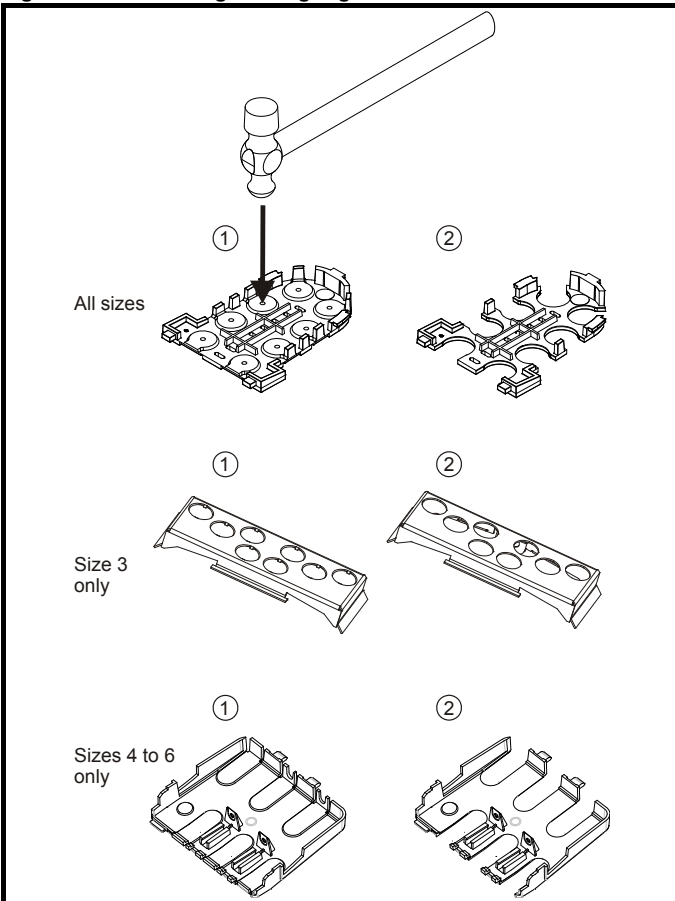


**Figure 3-5 Removing the size 4, 5 and 6 standard drive terminal covers (size 4 illustrated)**



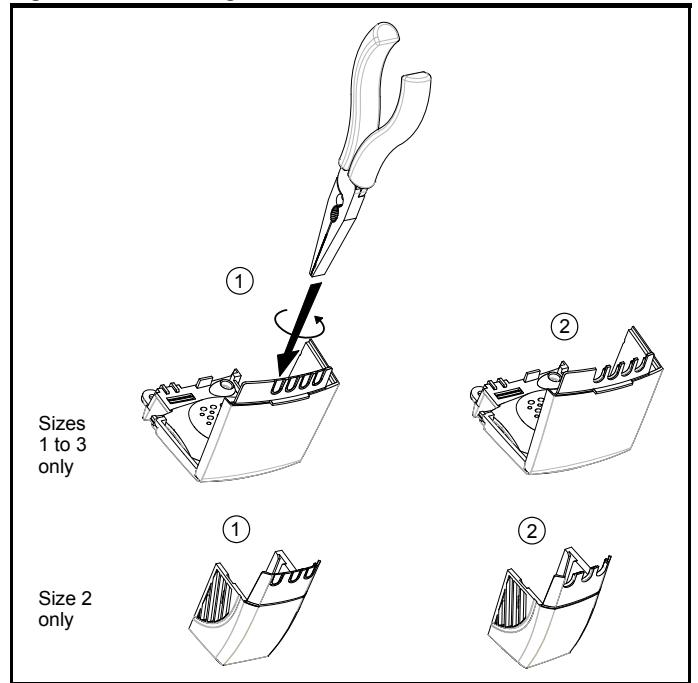
**3.3.2 Removing the finger-guard and DC terminal cover break-outs**

**Figure 3-6 Removing the finger-guard break-outs**



Place finger-guard on a flat solid surface and hit relevant break-outs with hammer as shown (1). Continue until all required break-outs are removed (2). Remove any flash / sharp edges once the break-outs are removed.

**Figure 3-7 Removing the DC terminal cover break-outs**



Grasp the DC terminal cover break-outs with pliers as shown (1) and twist to remove. Continue until all required break-outs are removed (2).

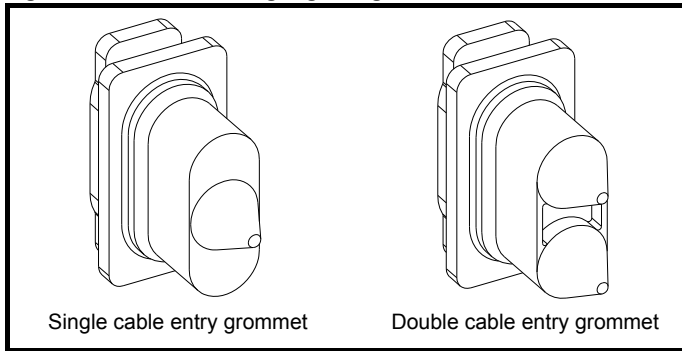
Remove any flash / sharp edges once the break-outs are removed. Use the DC terminal cover grommets supplied in the accessory box (Table 2-7 on page 18) to maintain the seal at the top of the drive.

Grommets are available for the size 4 to 6 finger-guards. Two versions are available allowing for either single or double cable entries. These are not required if the optional conduit box is installed.

**NOTE**

If the optional conduit box is not installed, then these grommets must be used to ensure that the IP20 rating is maintained.

**Figure 3-8 Size 4 to 6 finger-guard grommets**



The grommets are available as a kit of four grommets under the following part numbers:

9500-0074 Kit of four single entry grommets

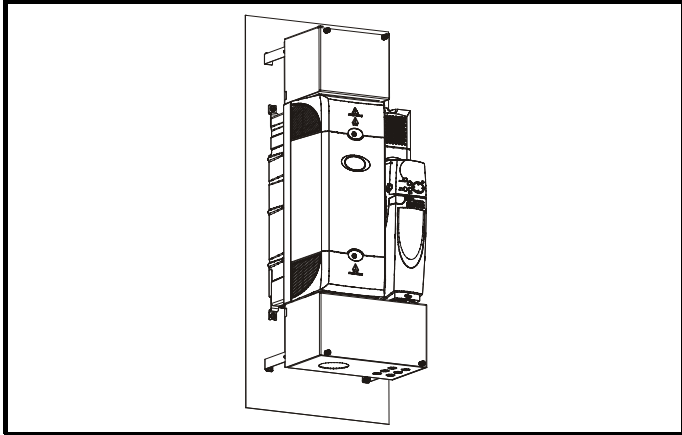
9500-0075 Kit of four double entry grommets

### 3.3.3 Conduit connection boxes

Conduit connection boxes are available as an option. Figure 3-9 demonstrates a conduit connection box installed on a size 4 standard drive.

For further information, refer to section 3.5 *Mounting methods* on page 29.

**Figure 3-9 Size 4 standard drive with conduit connection box installed**



**Table 3-1 Conduit box part numbers**

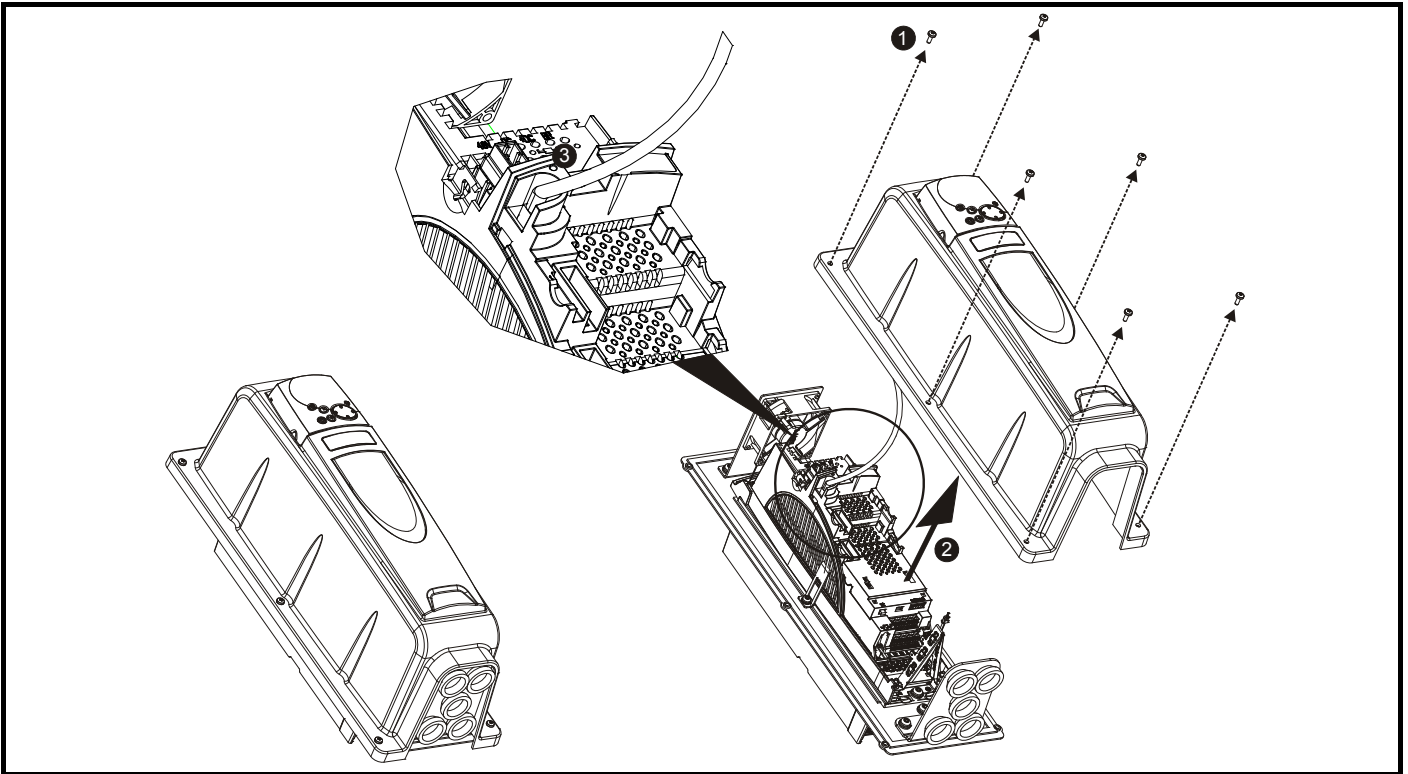
Frame size	Top conduit box	Bottom conduit box
1		6500-0008
2		6500-0011
3	6500-0033*	6500-0014
4	6500-0017	6500-0018
5	6500-0023	6500-0024
6	6500-0027	6500-0028

\*For DC or brake connections only.



### 3.3.4 E12/E54 and E12/E66 cover removal / installation

Figure 3-10 Removal of the top cover (size 1 to 4) E12/E54

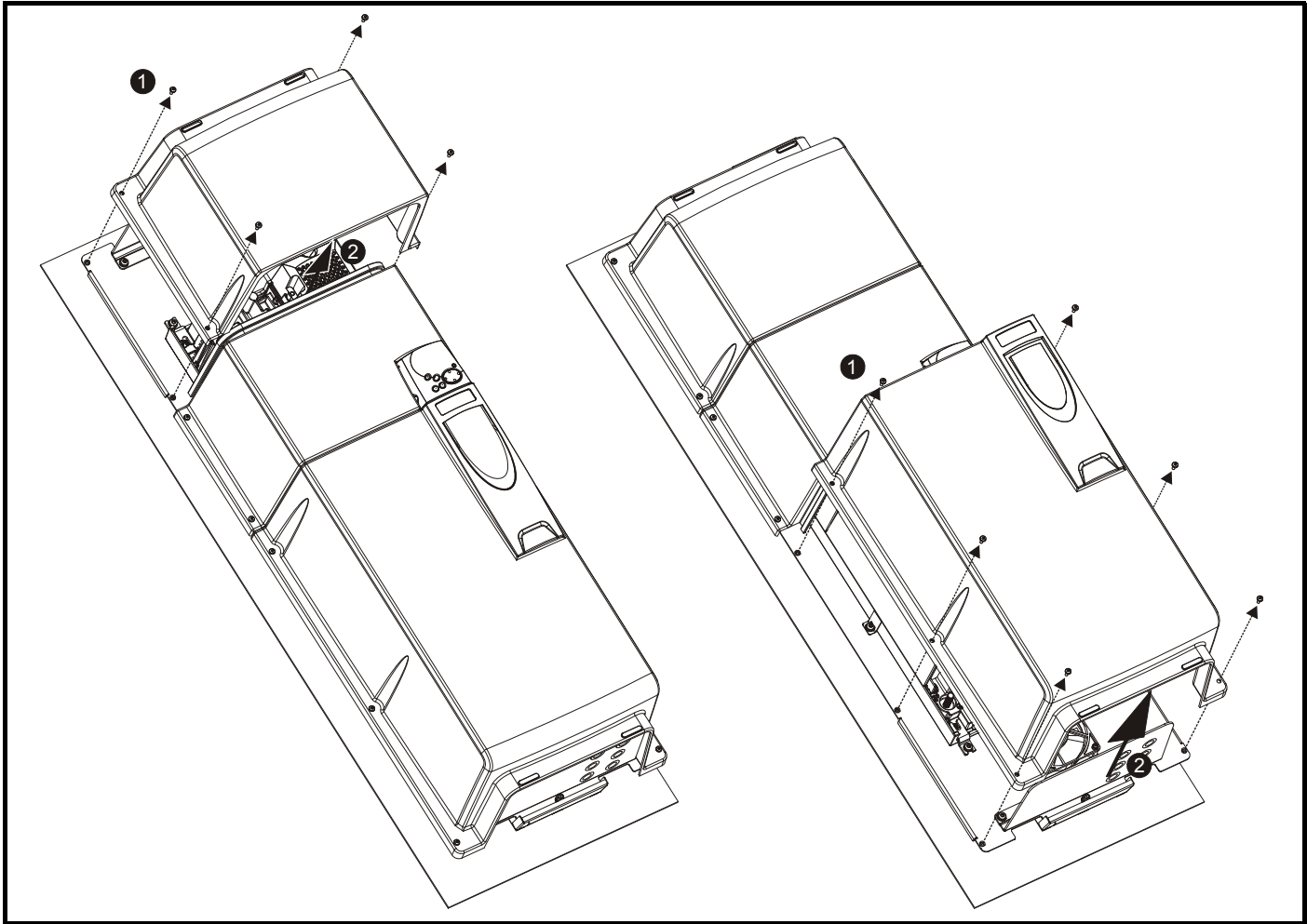


1. Undo 6 x M5 screws
2. Remove cover as shown
3. Disconnect the BA Keypad connector from the RJ 45 serial port
4. Reverse the above procedure to replace the cover

**NOTE**

E12/E66 drives are only available in sizes 1 to 3

**Figure 3-11 Removing the top covers (size 5 to 6)**



1. Undo M5 screws
2. Remove cover as shown


**3.3.5 E12/E54 and E12/E66 gland plate drilling**

For size 1 and 2 drives, the gland plates have pre-prepared holes installed with glands for the power, motor and control cables.

For size 3 to 6 E12/E54 and size 3 E12/E66 drives, the pre-prepared holes in the plate are for control cables only. Custom holes need to be drilled accordingly for the following reasons:

- To route power and motor cables
  - The connection of metal conduit or IP54/IP66 cable conduits
- If being used in a Type 12, IP54 or IP66 environment, the correctly rated glands should be used and installed in accordance with the supplier's recommendations.

Sizes 4 to 6 have two gland plates, top and bottom.



In order to prevent contamination from metal swarf, the gland plate should be removed prior to drilling.

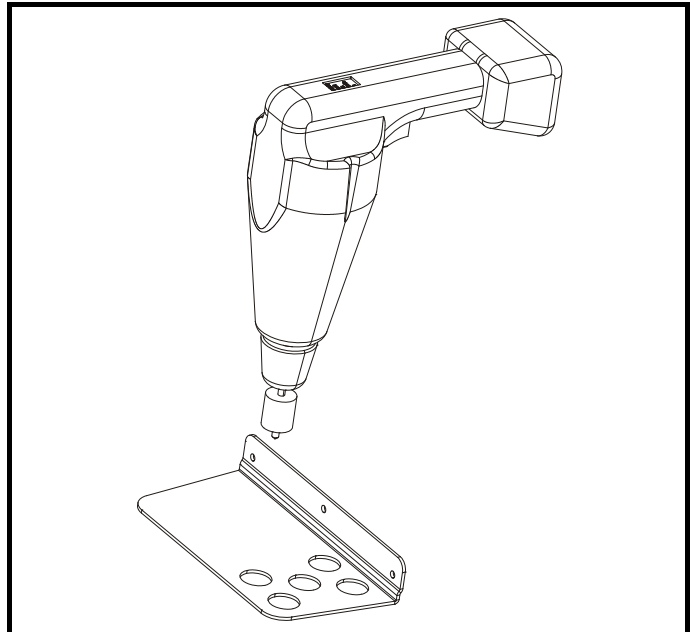
**CAUTION**

**NOTE**  
 These holes are supplied installed with IP55 glands. Care should be taken when holes are cut in the glands for the cables to pass through, that the residual gap between the cable and the gland is minimal.

**NOTE**

Prior to the removal of the covers, the top conduit plate should be cleaned / dried to remove any debris or moisture. Care should be taken to ensure that the cover gaskets are not damaged when removing or replacing the covers.

**Figure 3-12 Drilling the size 3 to 6 E12/E54 gland plate**

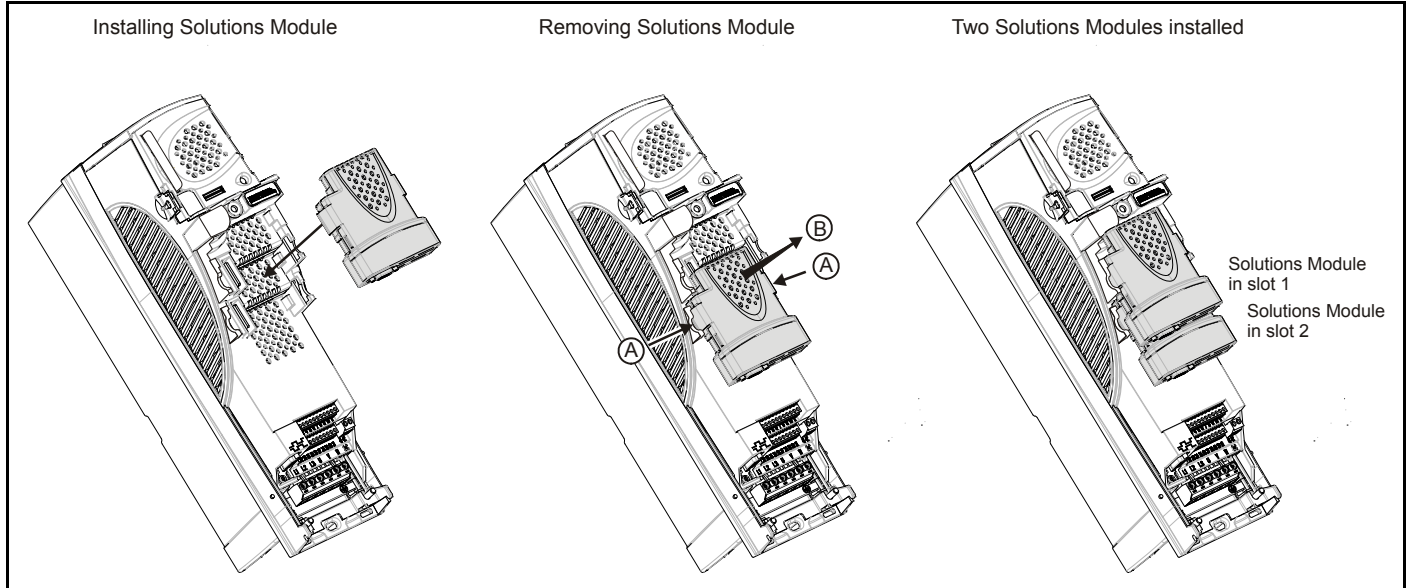


### 3.4 Solutions Module / keypad installation / removal



Power down the drive before installing / removing the Solutions Module. Failure to do so may result in damage to the product.

**Figure 3-13 Installation and removal of a Solutions Module**



To install the Solutions Module, press down in the direction shown above until it clicks into place.

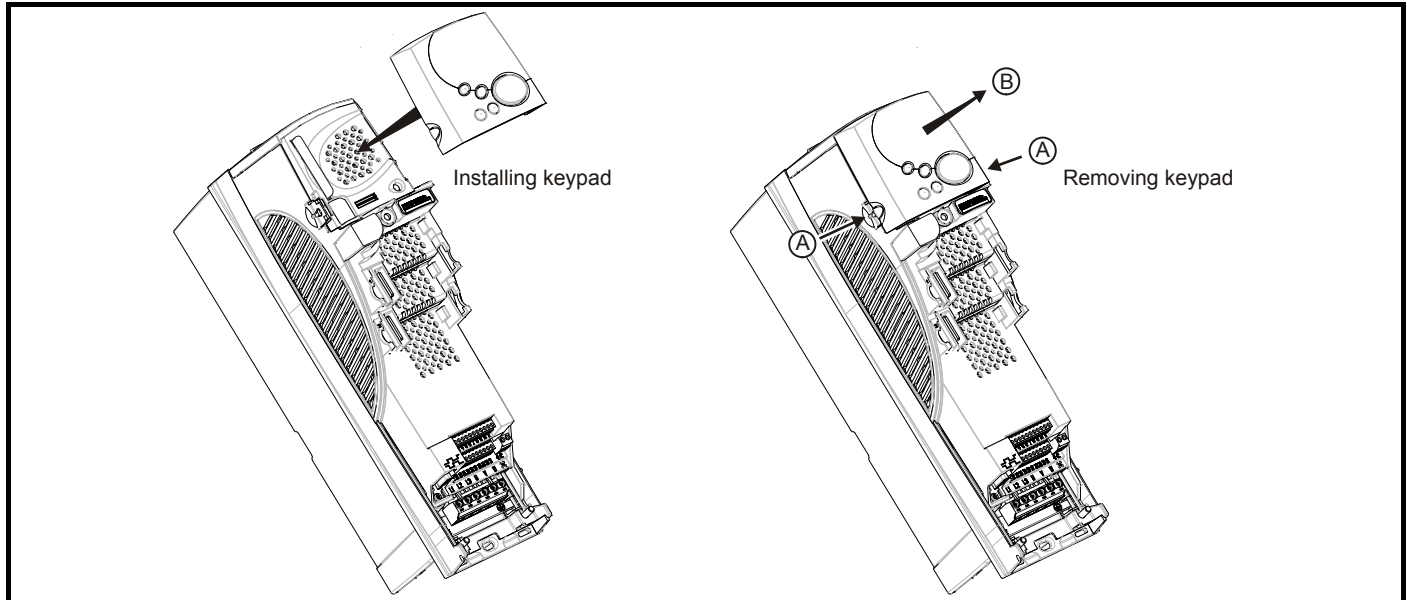
To remove the Solutions Module, press inwards at the points shown (A) and pull in the direction shown (B).

The drive has the facility for both Solutions Module slots to be used at the same time, as illustrated.

**NOTE**

It is recommended that Solutions Module slot 2 is used if only one module is installed.

**Figure 3-14 Installation and removal of a keypad**



To install, align the keypad and press gently in the direction shown until it clicks into position.

To remove, while pressing the tabs inwards (A), gently lift the keypad in the direction indicated (B).

**NOTE**

The keypad can be installed / removed while the drive is powered up and running a motor, providing that the drive is not operating in hand, off or keypad mode.

**NOTE**

The keypad for the E12/E54 drive is installed to the top cover and connected to the drive via a cable.

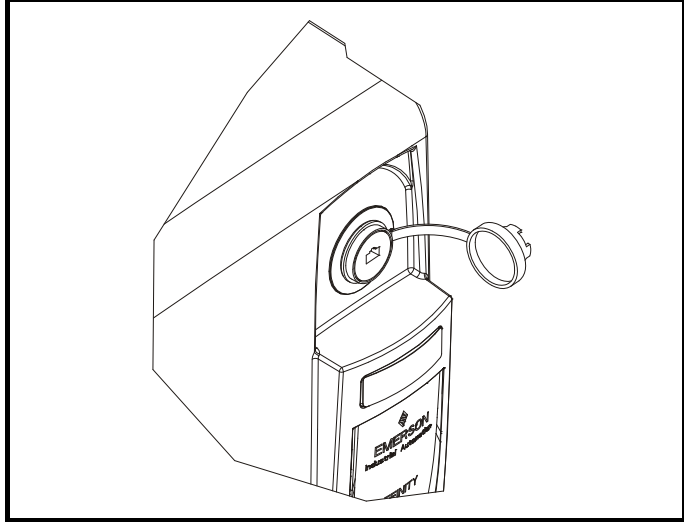


Be aware of live terminals when inserting or removing the keypad

**NOTE**

The BA keypad cannot be installed on the front of the E12/E66 drive but can be connected remotely via a serial cable to the external RJ 45 connector (see Figure 3-15 below for location of the RJ 45 connector).

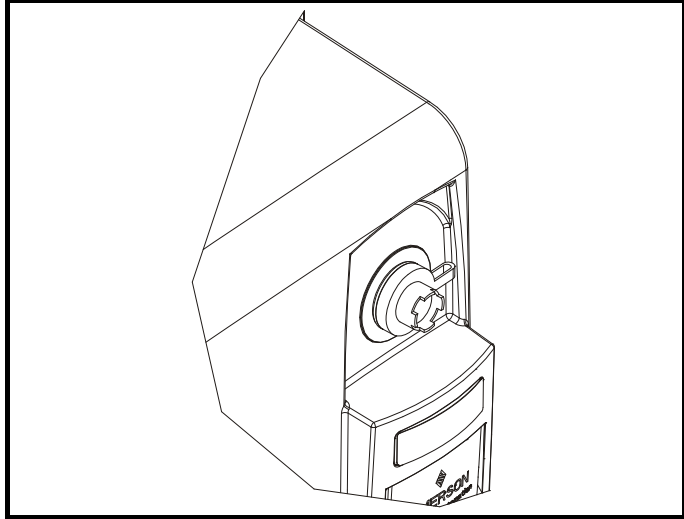
**Figure 3-15 location of external RJ 45 connector**



The serial cable must be a shielded RJ45 cable with an appropriate connector (suitable for mating with a Bulgin Buccaneer PX0833), rated to a minimum of IP66. The maximum cable length is 30 metres.

If a cable is not connected then the connector cap must be installed as shown in Figure 3-16.

**Figure 3-16 RJ 45 connector with cap installed**



### 3.5 Mounting methods

The standard drive can be either surface or through-panel mounted using the appropriate brackets.

The E12/E54 and E12/E66 drives can only be surface mounted.

The following drawings show the dimensions of the drive and mounting holes for each method to allow a back plate to be prepared.



Many of the drives in this product range weigh in excess of 15kg (33lb). Use appropriate safeguards when lifting these models.  
A full list of drive weights can be found in section 12.1.18 *Weights* on page 235.

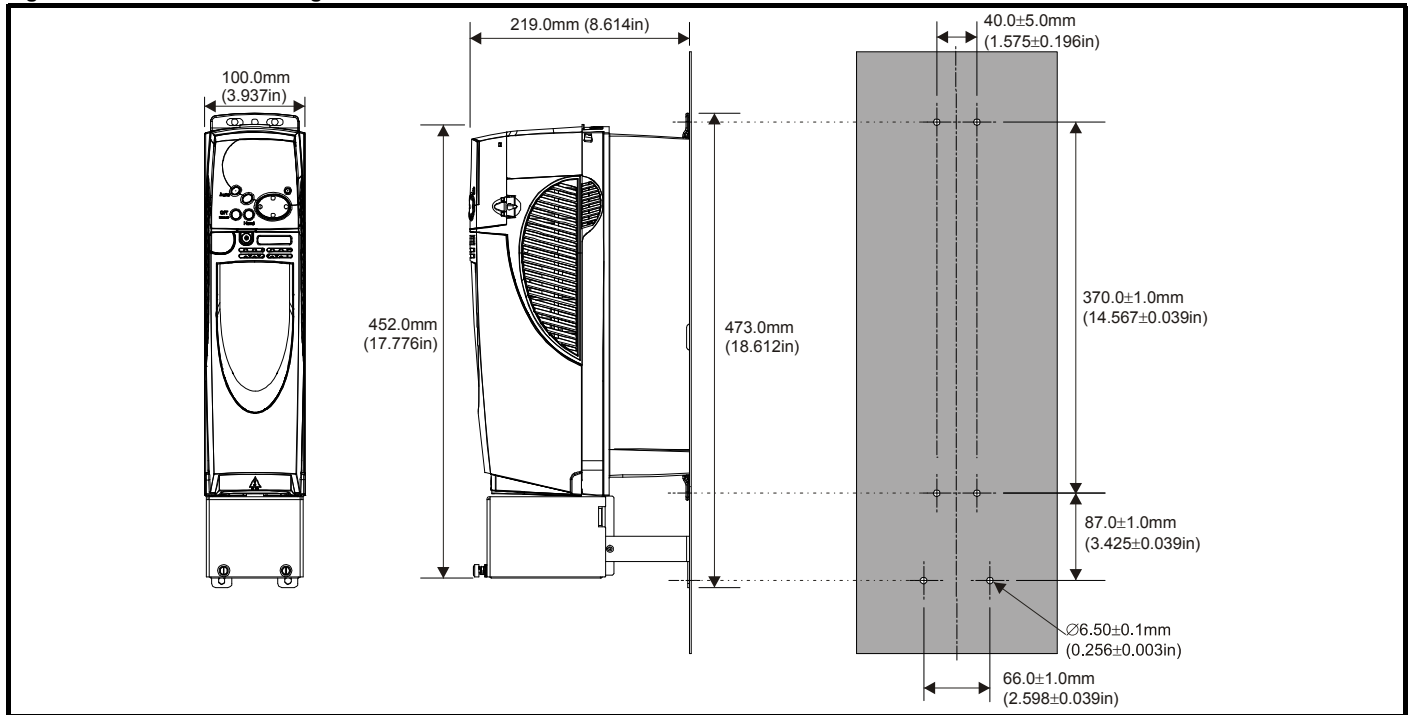


If the drive has been used at high load levels for a period of time, the heatsink can reach temperatures in excess of 70°C (158°F). Human contact with the heatsink should be prevented.

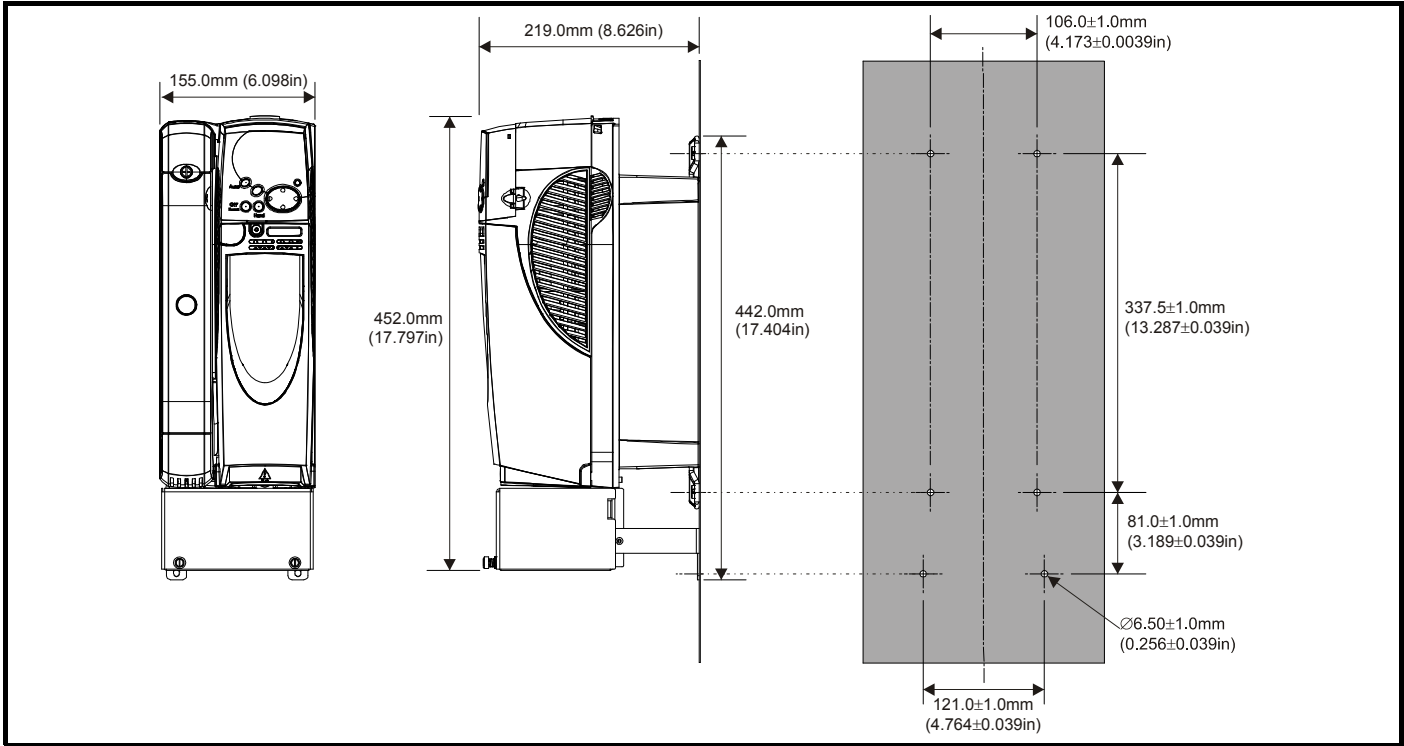
#### 3.5.1 Standard drive surface mounting

The standard drives are rated to IP20/NEMA1. Drive sizes 1 to 3 conform to UL Type 1 and sizes 4 to 6 are Open Class. If the optional conduit box is installed, then drive sizes 4 to 6 conform to UL Type 1. Refer to Table 3-1 on page 24 for conduit box part numbers.

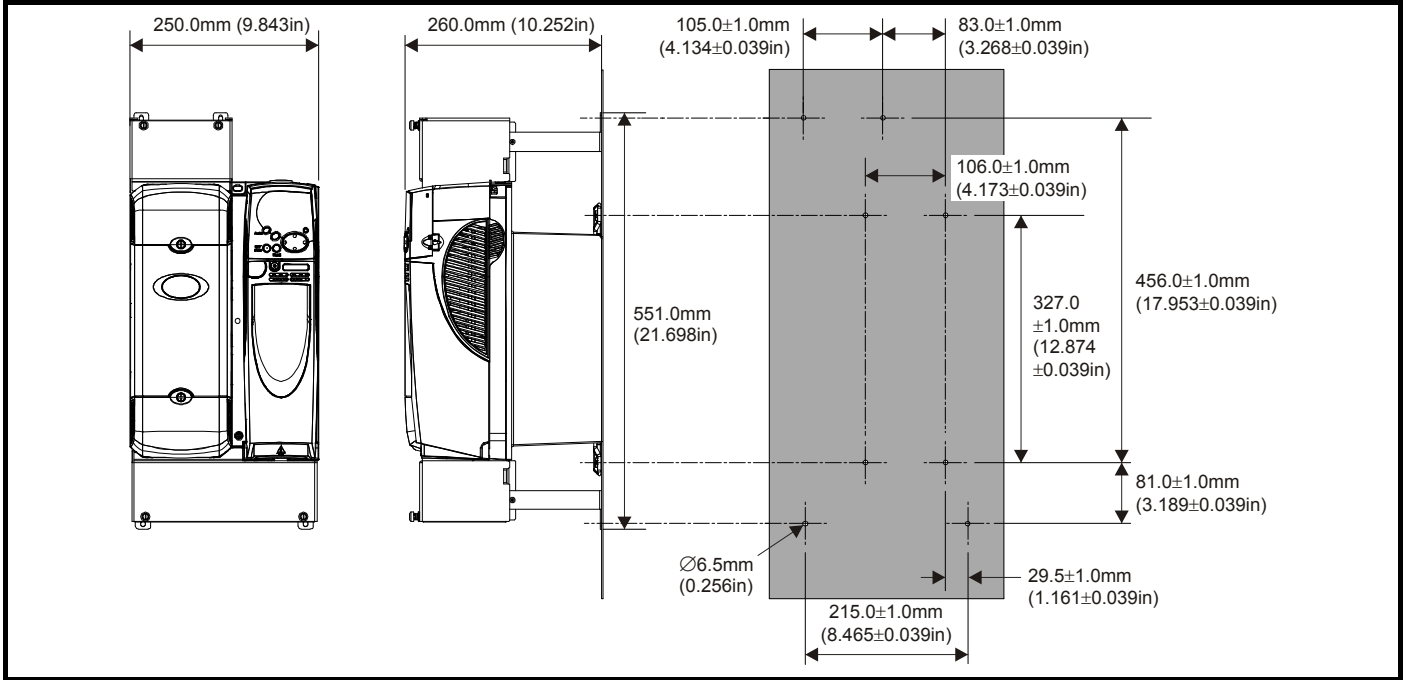
**Figure 3-17 Surface mounting the standard size 1 drive with conduit connection box installed**



**Figure 3-18 Surface mounting the standard size 2 drive with conduit connection box installed**



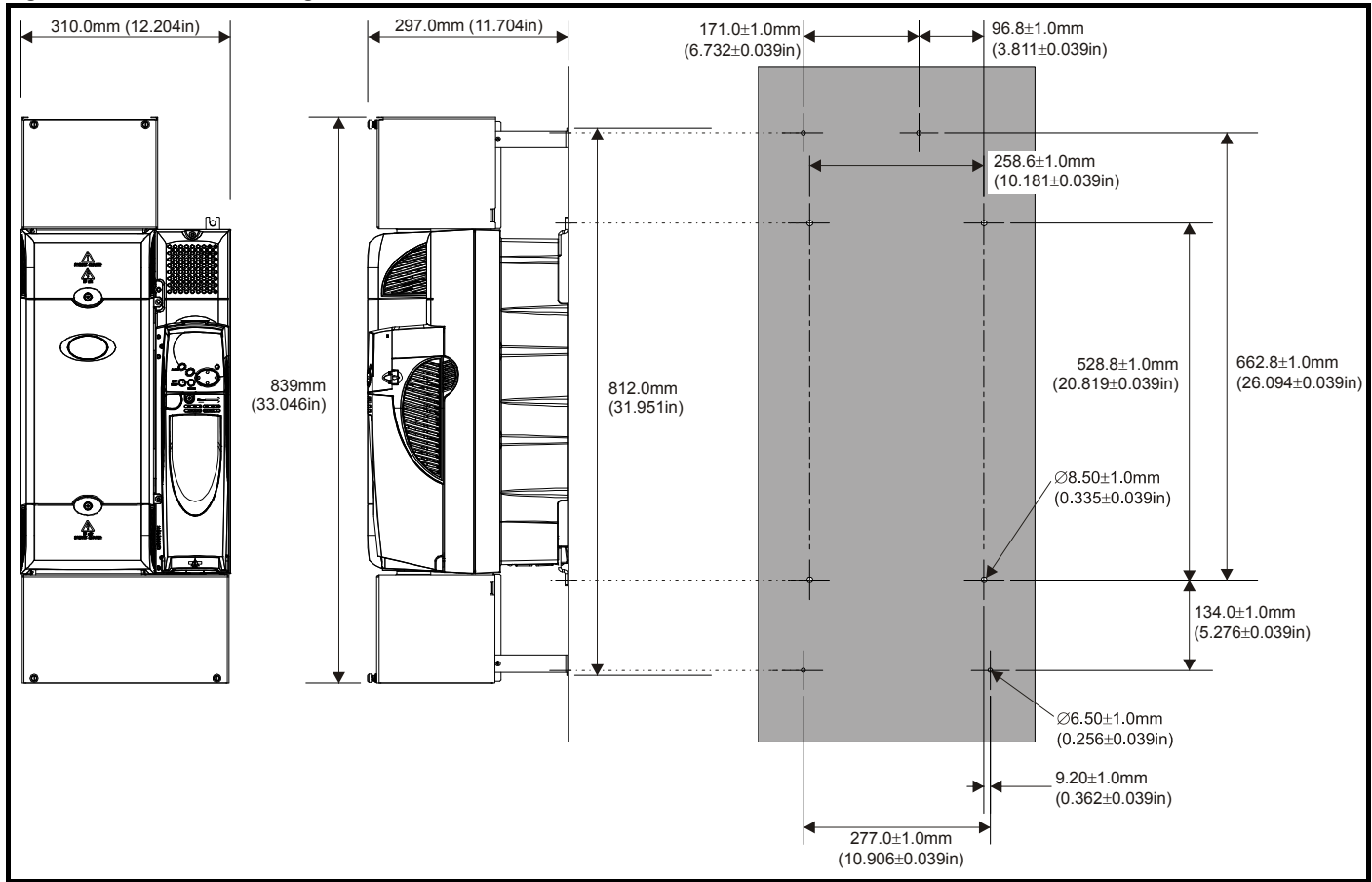
**Figure 3-19 Surface mounting the standard size 3 drive with conduit connection boxes installed**



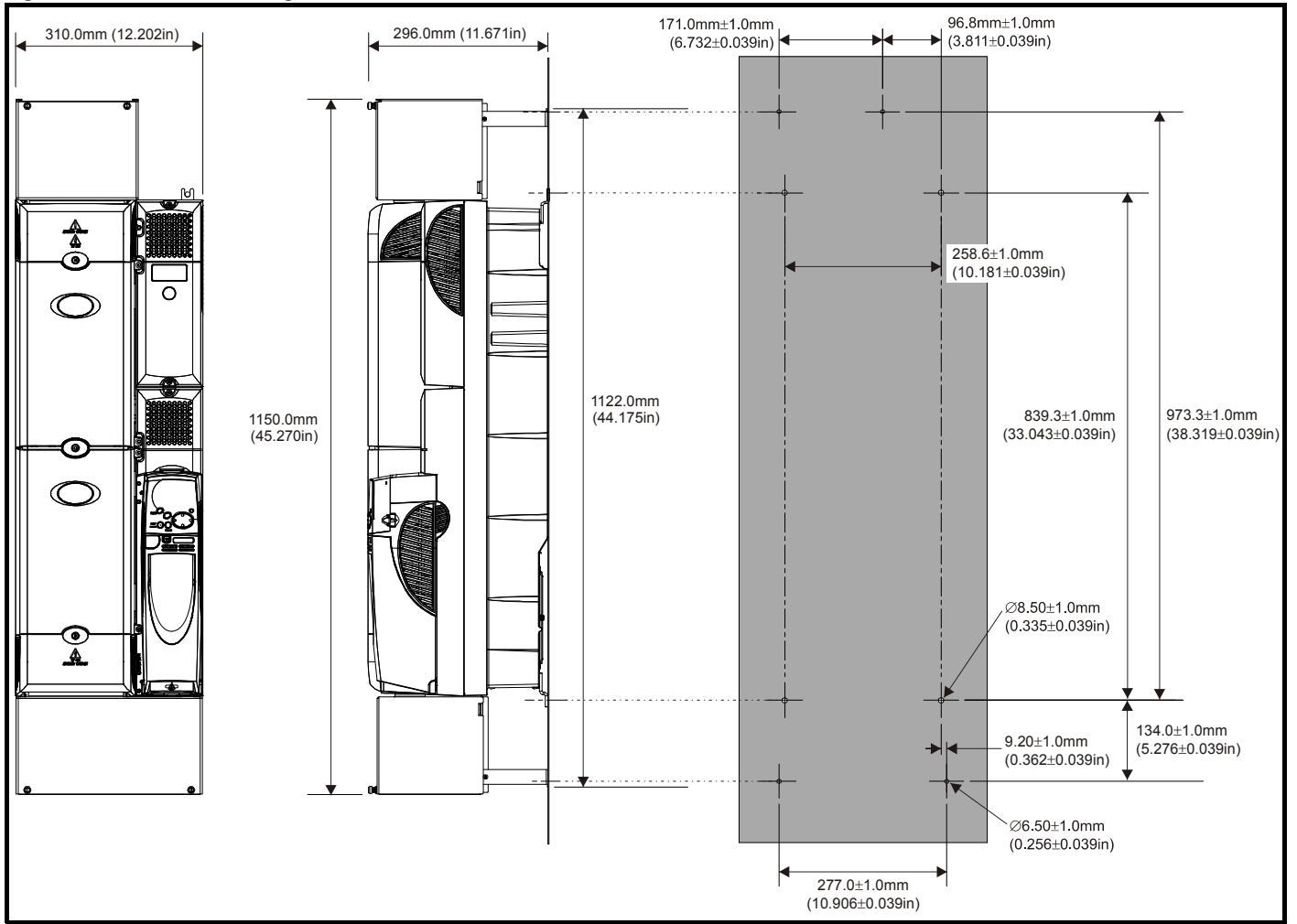
**NOTE**

On size 3 Affinity standard drives, the top conduit box is required for DC or brake connections only.

**Figure 3-20 Surface mounting the standard size 4 drive with conduit connection boxes installed**

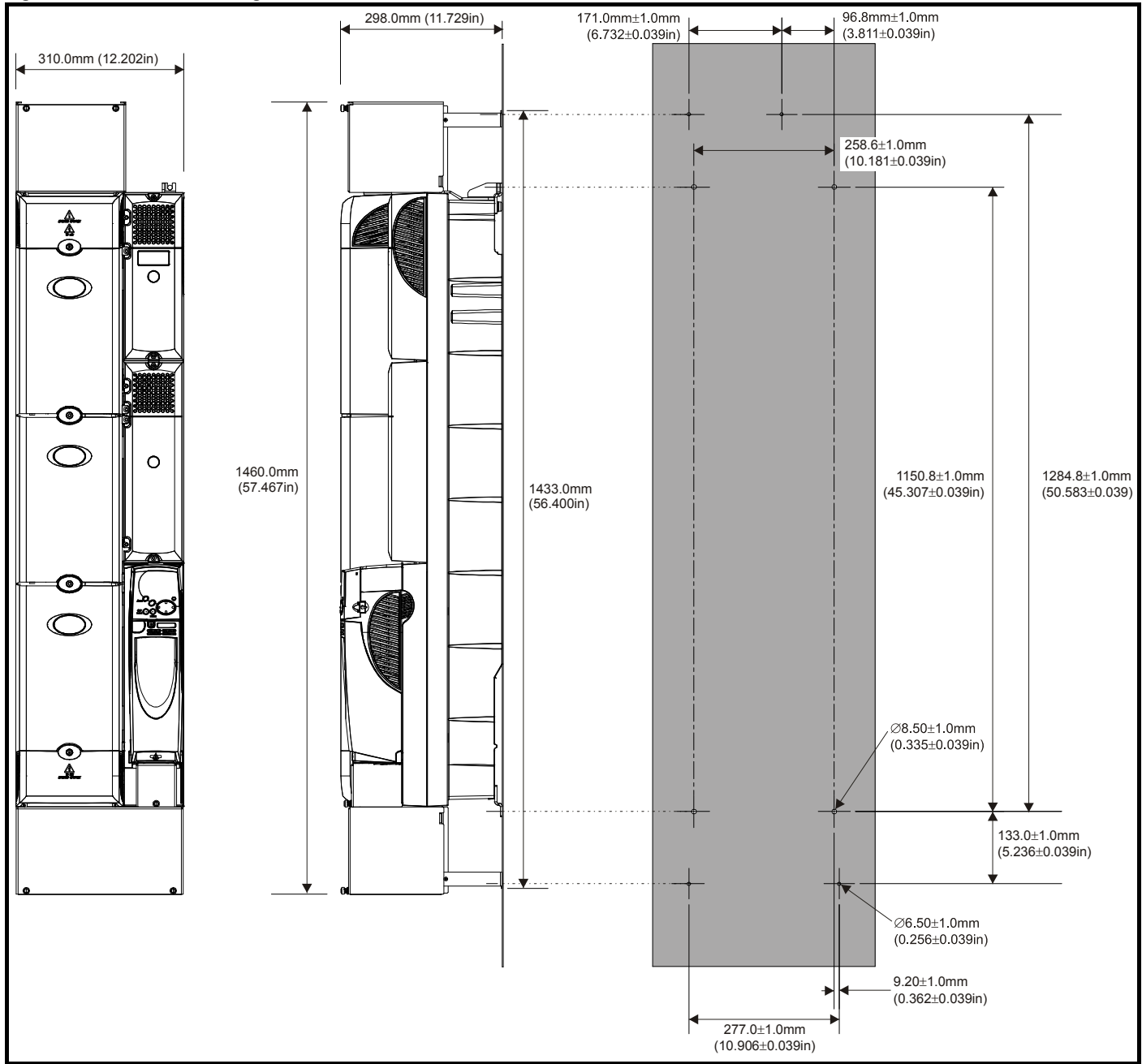


**Figure 3-21 Surface mounting the standard size 5 drive with conduit connection boxes installed**





**Figure 3-22 Surface mounting the standard size 6 drive with conduit connection boxes installed**



### 3.5.2 Standard drive through-panel mounting

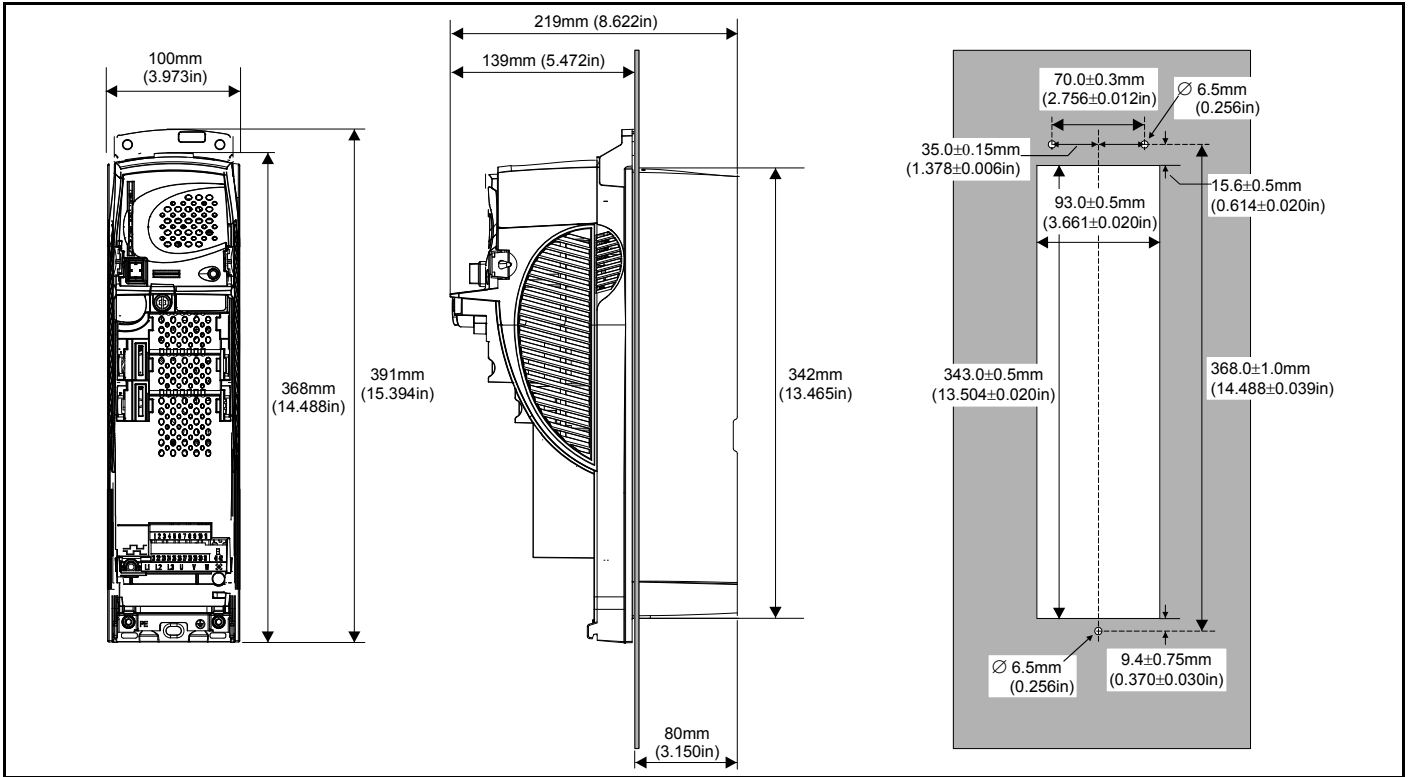
When the standard drive is through-panel mounted, the main terminal cover(s) must be removed in order to provide access to the mounting holes. Once the drive has been mounted, the terminal cover(s) can be replaced.

The conduit connection box cannot be used when through-panel mounting the standard drive.

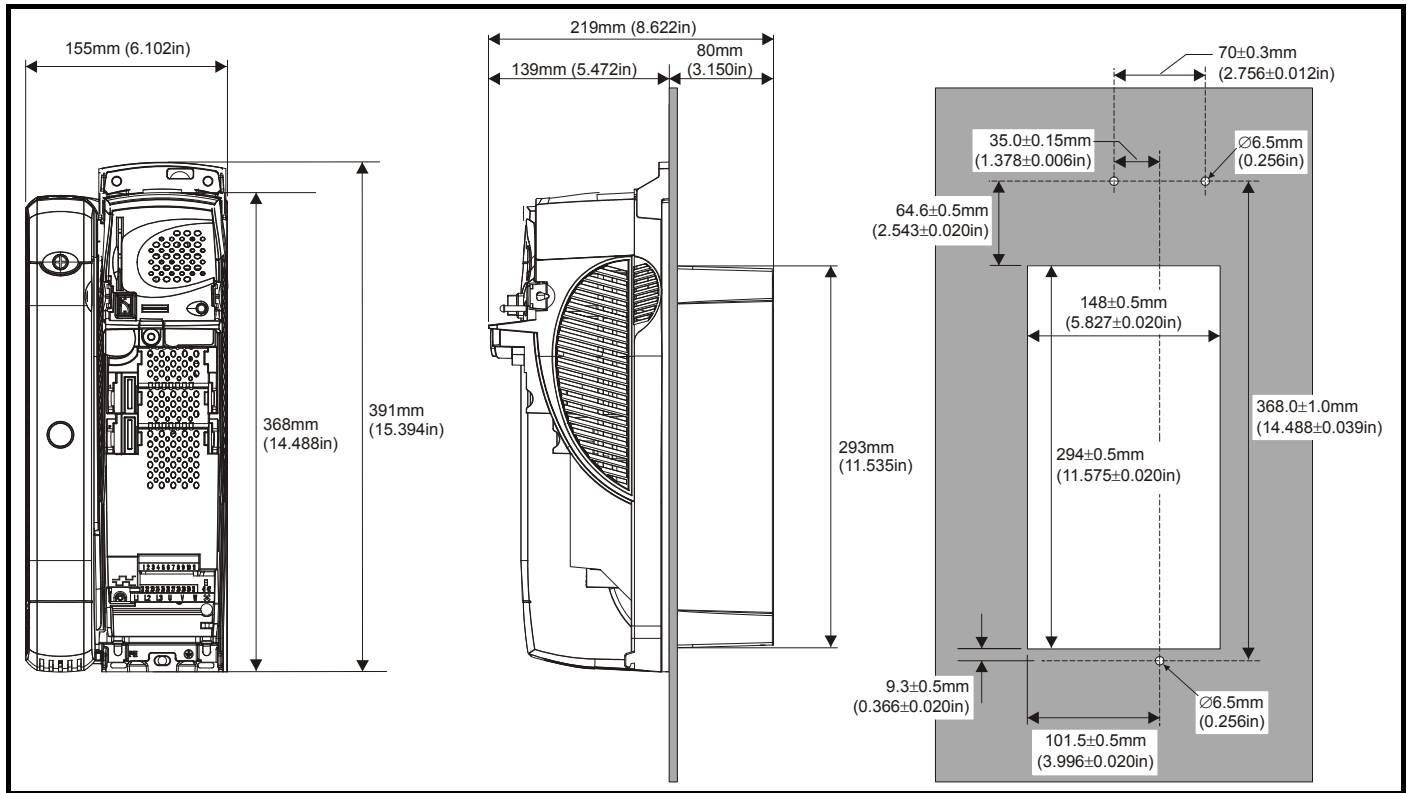
**NOTE**

In order to achieve IP54 rating (UL Type 12 / NEMA 12) for through-panel mounting, an IP54 insert must be installed (size 1 and 2) and the heatsink fan should be replaced with an IP54 rated fan (sizes 1 to 4). Additionally, the gasket provided should be installed between the drive and the backplate to ensure a good seal for the enclosure. If the heatsink mounted braking resistor is to be used with the drive through-panel mounted, refer to the specific *Braking resistor installation sheet*. For further information refer to section 3.8 *Enclosing standard drive for high environmental protection* on page 48.

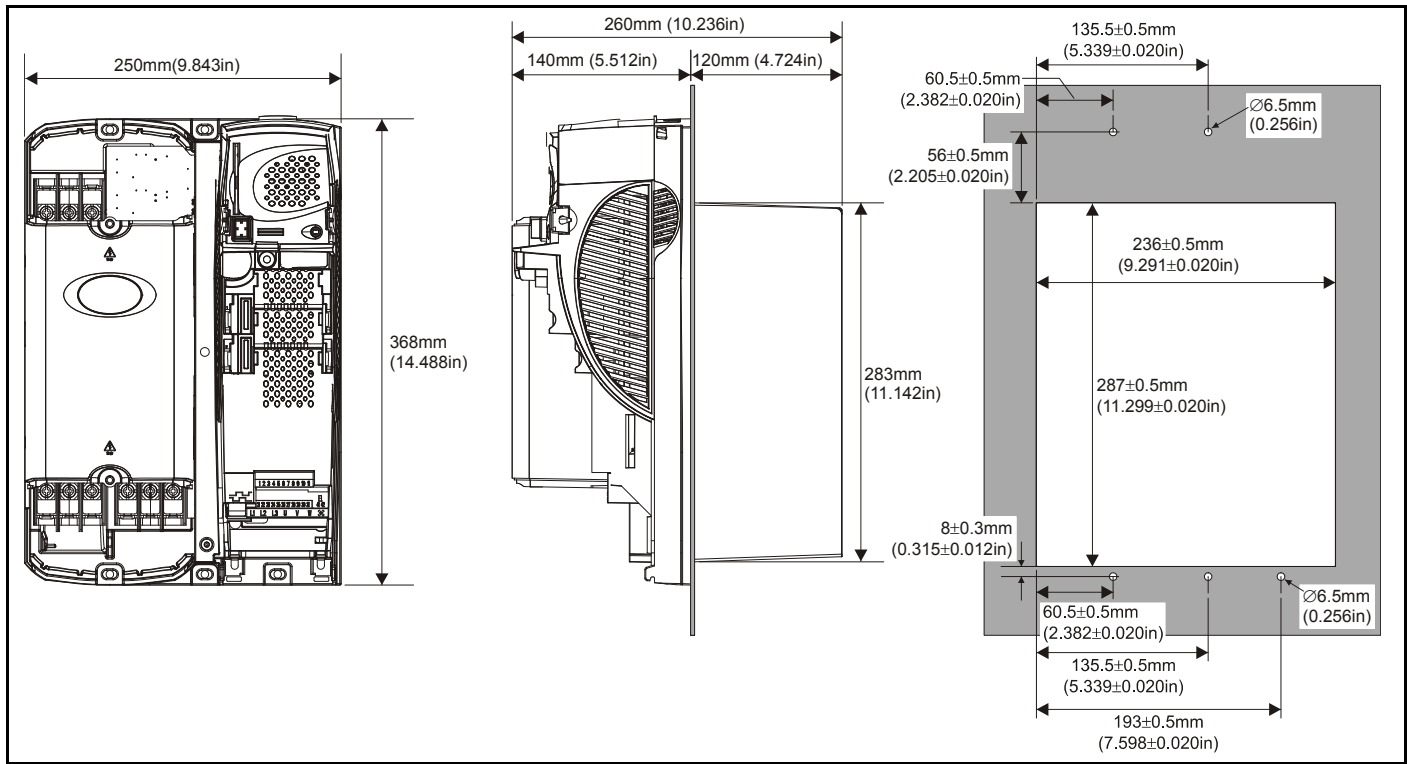
**Figure 3-23 Through-panel mounting the standard size 1 drive**



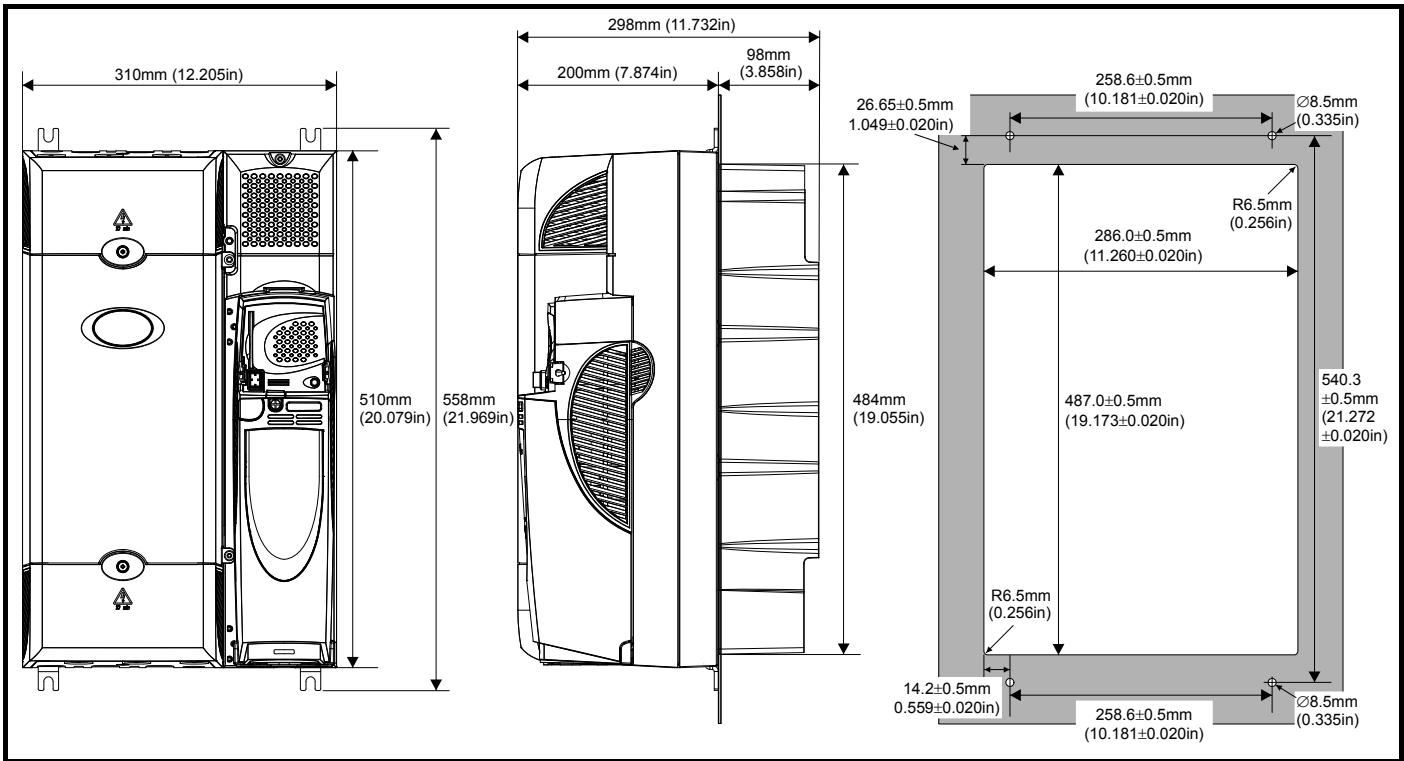
**Figure 3-24 Through-panel mounting the standard size 2 drive**



**Figure 3-25 Through-panel mounting the standard size 3 drive**

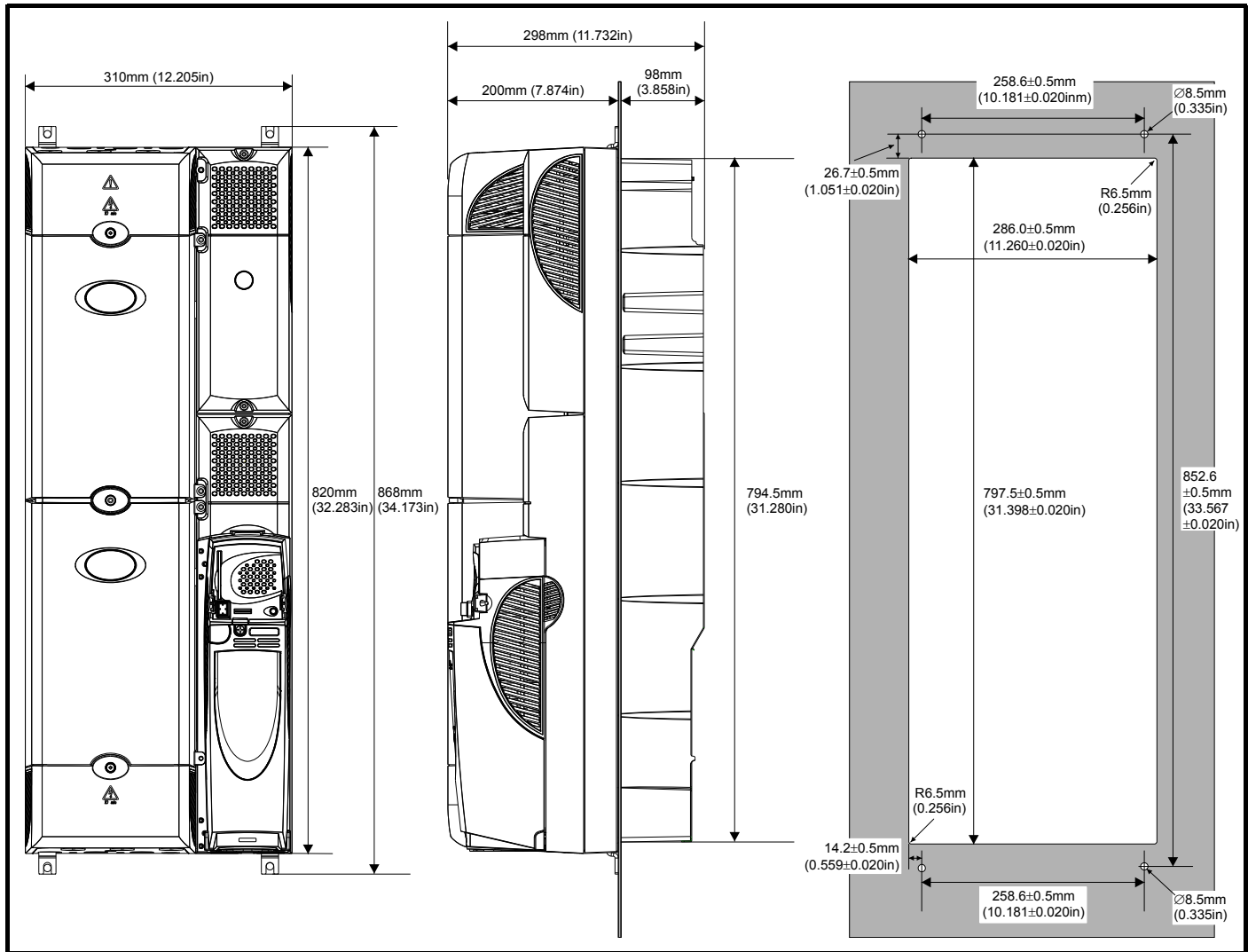


**Figure 3-26 Through-panel mounting the standard size 4 drive**



When a size 4 is through-panel mounted, the grounding link bracket must be folded upwards. This is required to provide a grounding point for the grounding bracket. See section 4.11.1 *Grounding hardware* on page 77 for more information.

**Figure 3-27 Through-panel mounting the standard size 5 drive**



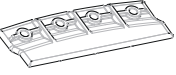

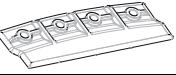
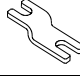
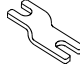



When a size 5 is through-panel mounted, the grounding link bracket must be folded upwards. This is required to provide a grounding point for the grounding bracket. See section 4.11.1 *Grounding hardware* on page 77 for more information.



### 3.5.3 Standard drive surface and through-panel mounting brackets

Table 3-2 Mounting brackets (Standard)

Model size	Surface	Through-panel	Hole size
1	 x2	 x1	6.5mm (0.256in)
2	 x2	 x1	
3	 x2		
4		 x4	8.5mm (0.335in)
5 & 6		 x4	
	 x2		

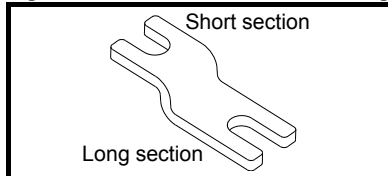
To avoid damaging the through-panel mounting bracket when through-panel mounting a size 1 or size 2, the through-panel mounting bracket should be used to mount the top of the drive to the back plate before the bottom of the drive is mounted to the back plate. The tightening torque should be 4 N m (2.9 lb ft).

### 3.5.4 Installation of the mounting bracket on size 4, 5 and 6

Size 4, 5 and 6 use the same mounting brackets for surface and through-panel mounting.

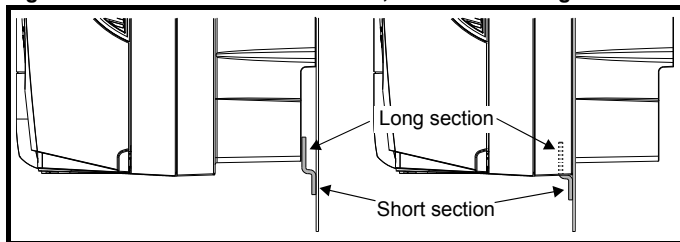
The mounting bracket has a long section and a short section.

Figure 3-29 Size 4, 5 and 6 mounting bracket



The mounting bracket must be installed in the correct orientation with the long section inserted into or attached to the drive and the short section is attached to the back plate. Figure 3-30 shows the orientation of the mounting bracket when the drive is surface and through-panel mounted.

Figure 3-30 Orientation of the size 4, 5 and 6 mounting bracket

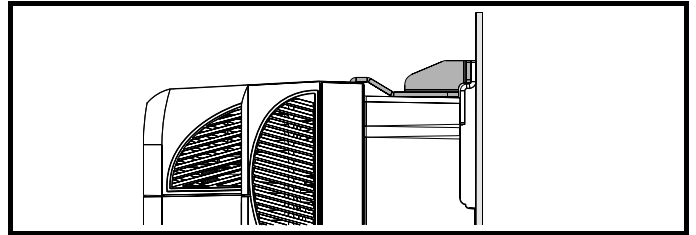


When through-panel mounted, the mounting brackets on the left hand side of the drive can be secured using the screws already located there. On the right hand side, the mounting brackets are just inserted into the slots in the chassis of the drive; no mounting screws are present here.

Size 5 and 6 also require two top mounting brackets when the drive is surface mounted. The two brackets should be installed to the top of the drive as shown in Figure 3-31.

The maximum torque setting for the screws into the drive chassis is 10 N m (7.4 lb ft).

Figure 3-31 Location of top surface mounting brackets for size 5 and 6



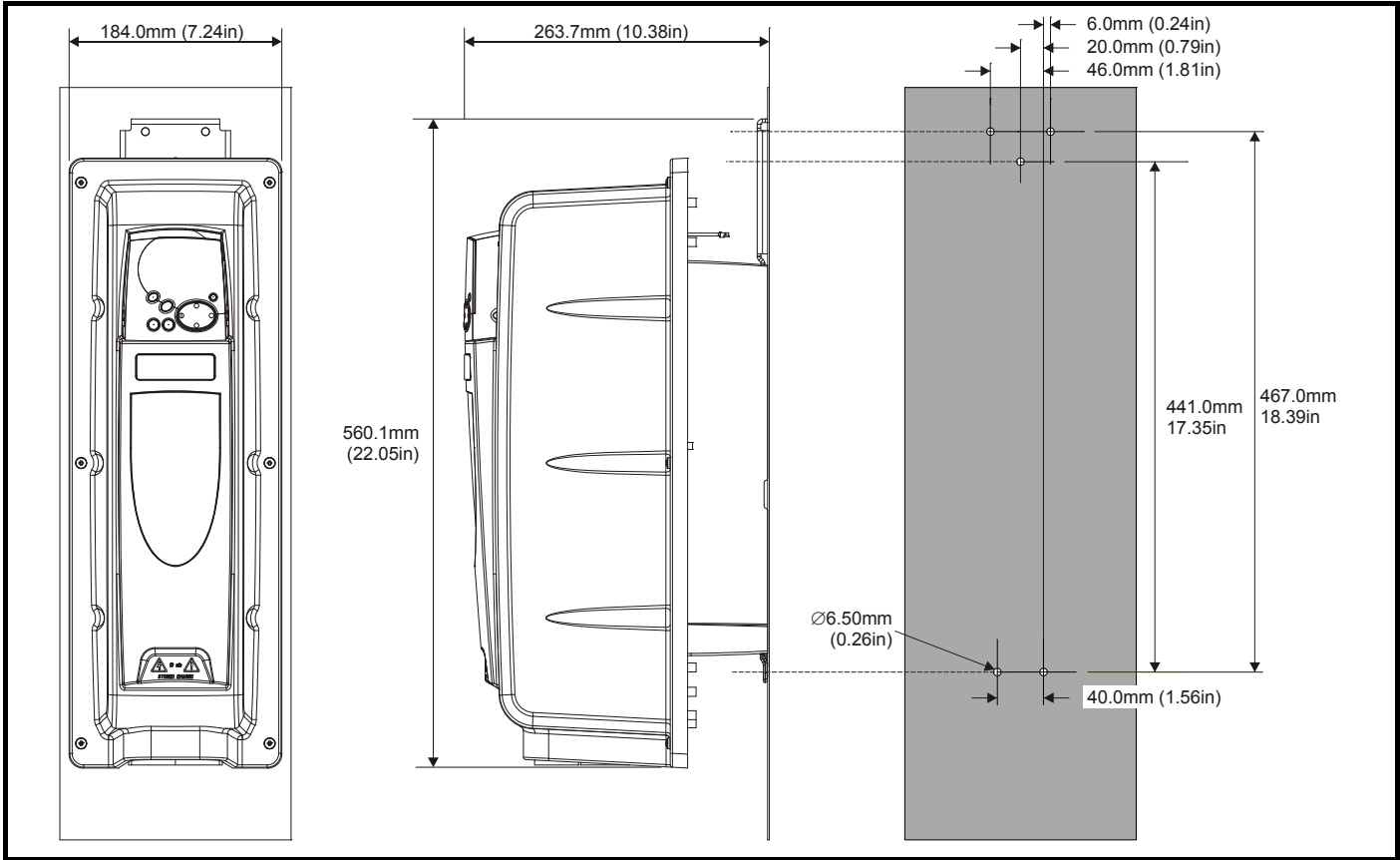
### 3.5.5 E12/E54 drive surface mounting

Table 3-3 states the mounting clearances required when mounting the E12/E54 drive. The drive spacing stated for sizes 4 to 6 are recommended to allow easy access to the maintainable dust filters. When installing the drives, access to the filters should not be blocked by cabling or conduit. For details on how to access the filters please refer to section 3.11.1 *E12/E54 filter change* on page 62.

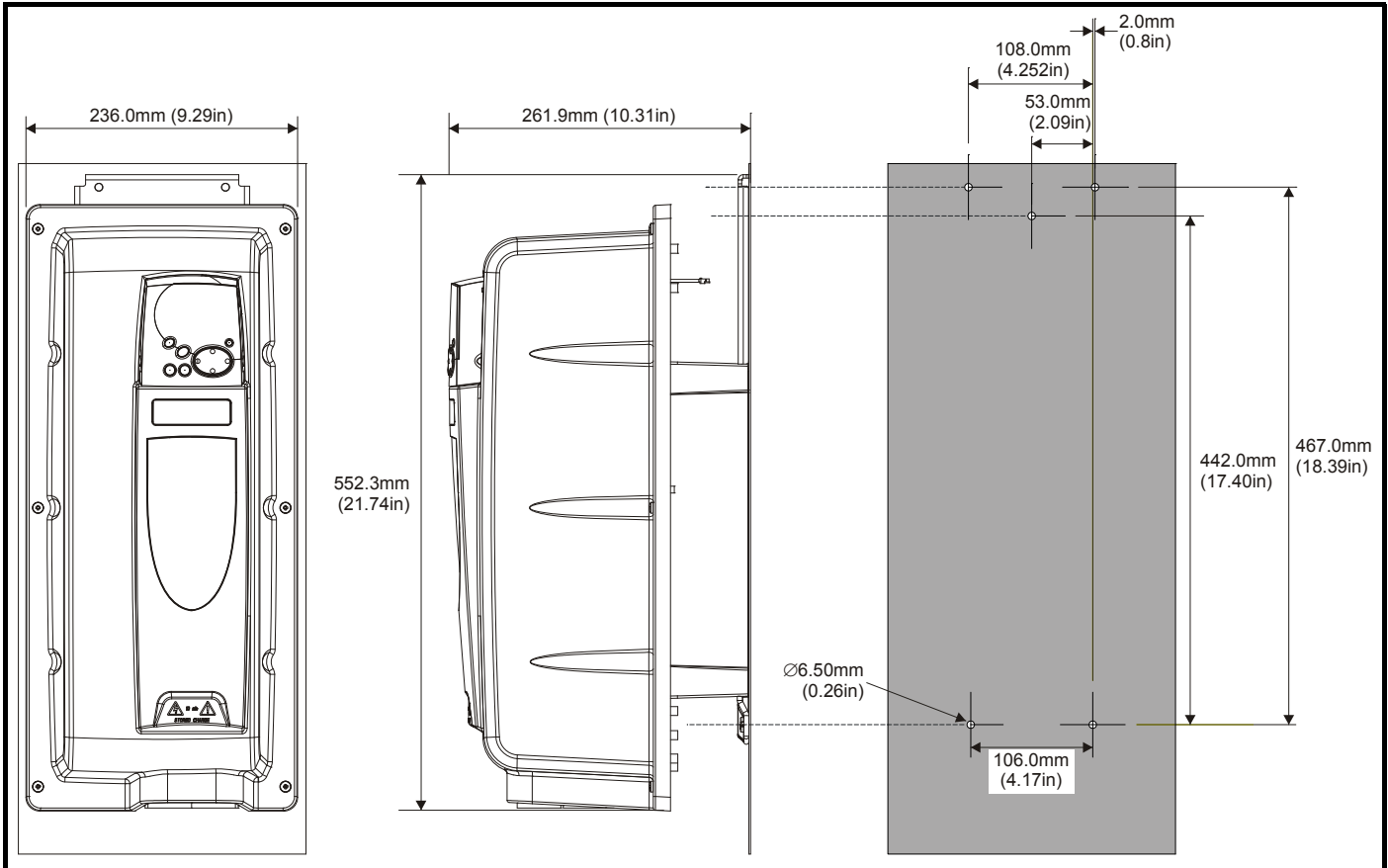
Table 3-3 E12/E54 mounting clearances

Size	Clearances required at top and bottom of drive mm	Clearances required at side of drive mm
1 to 3	100	20
4	150	
5 and 6	220	

**Figure 3-32 Size 1 E12/E54 and E12/E66 drive surface mounting**

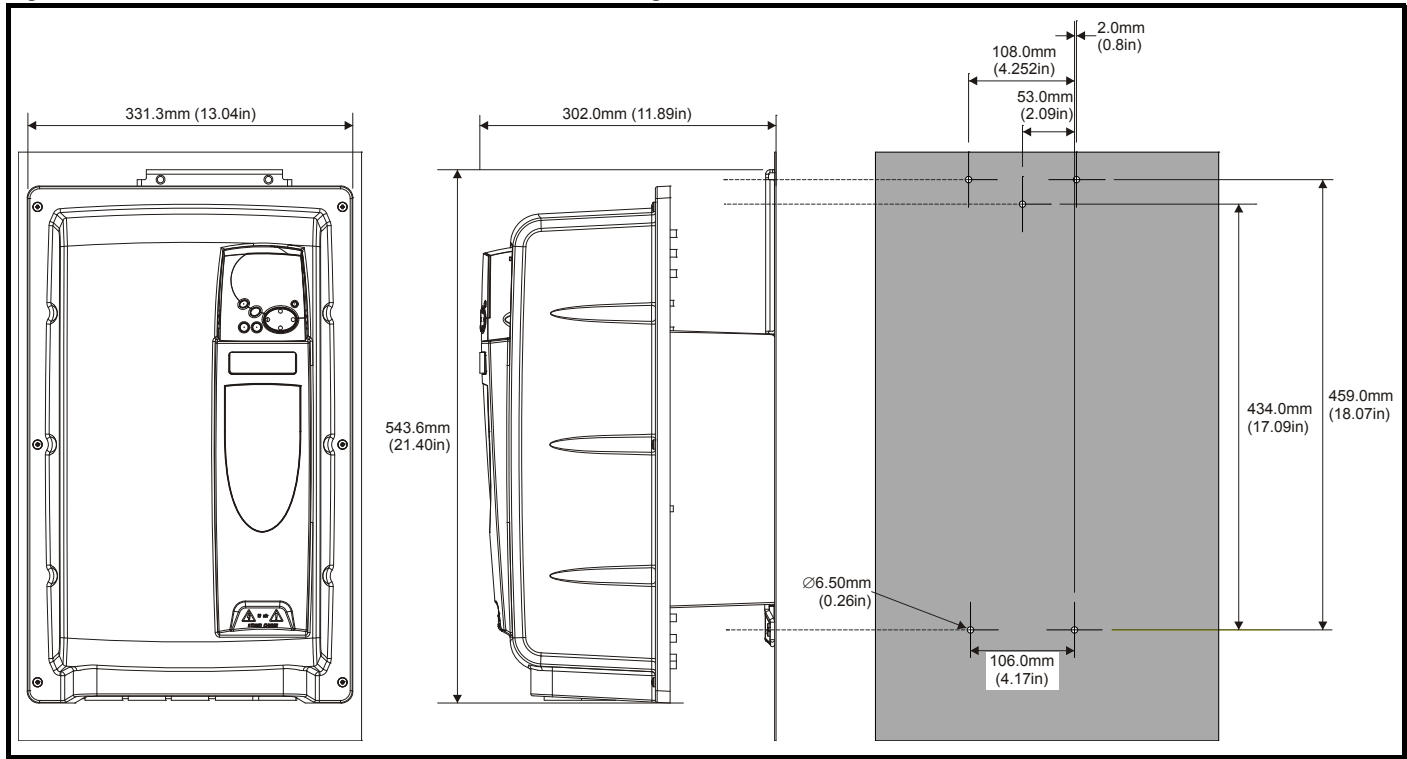


**Figure 3-33 Size 2 E12/E54 and E12/E66 drive surface mounting**

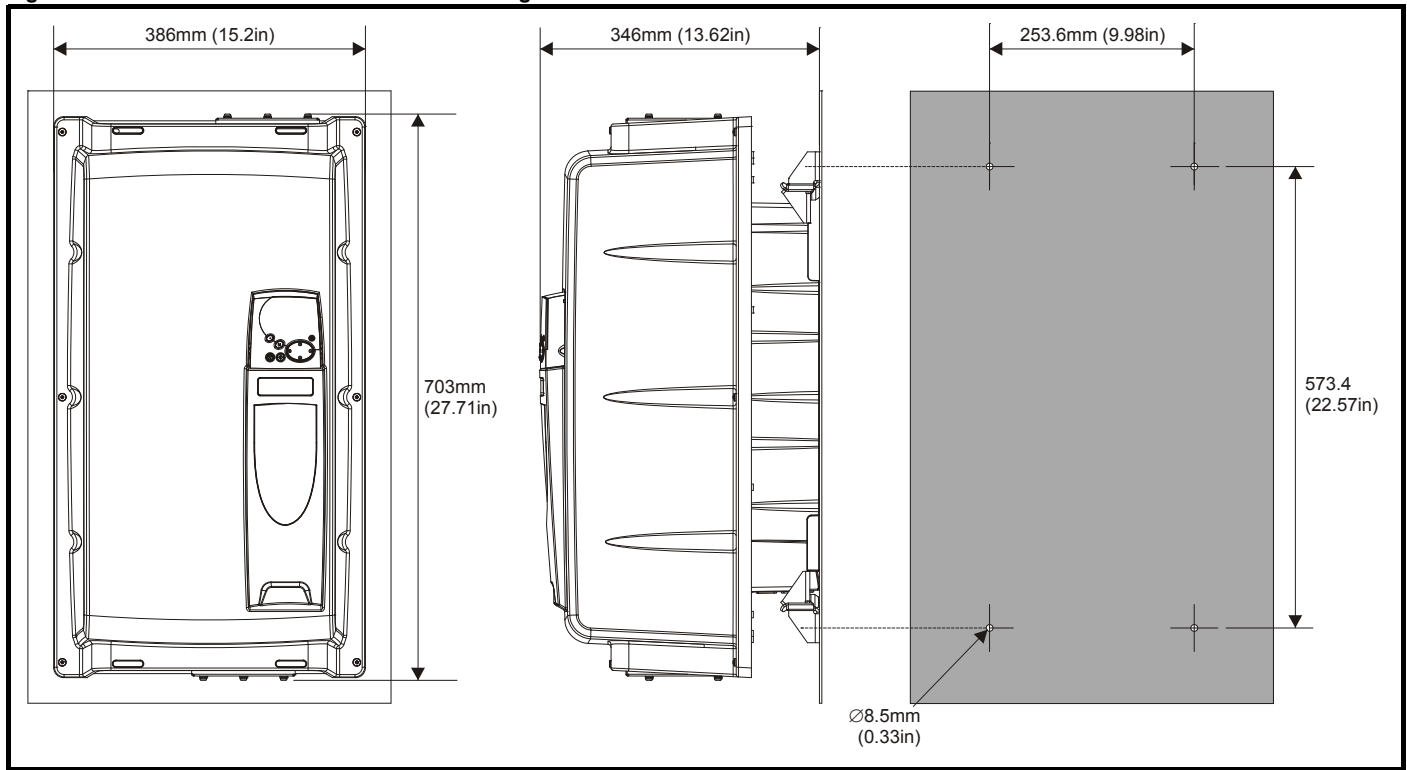




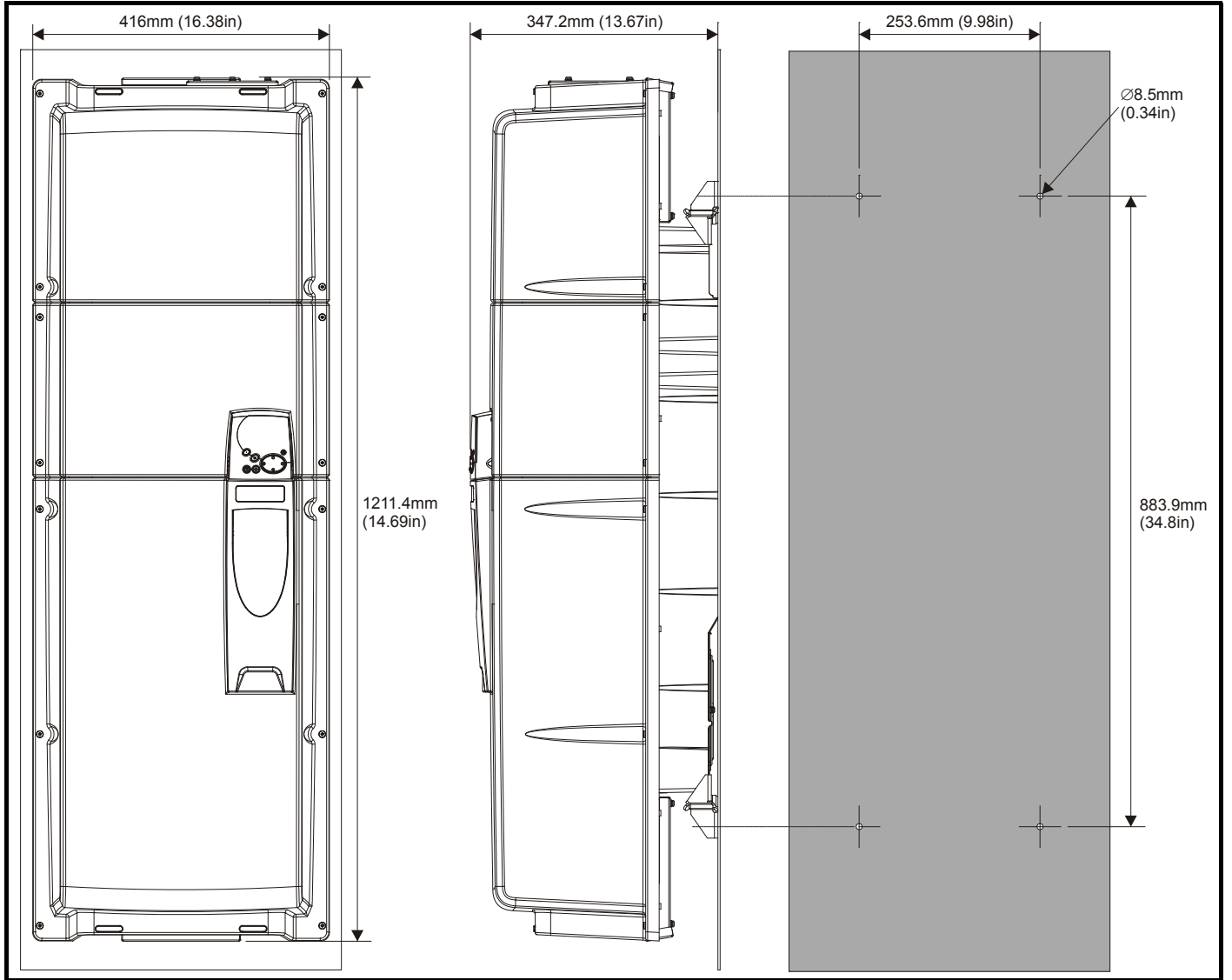
**Figure 3-34 Size 3 E12/E54 and E12/E66 drive surface mounting**



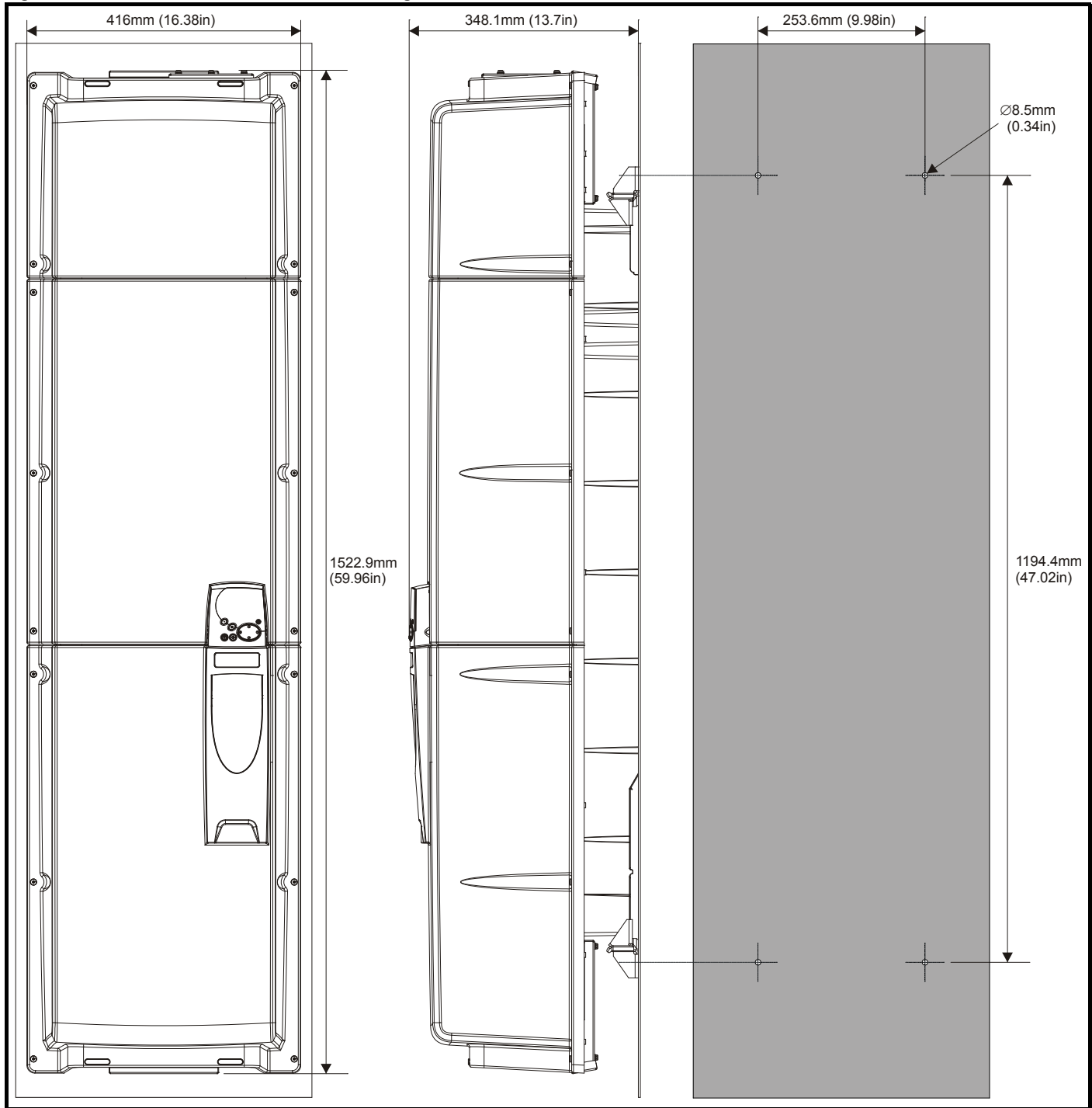
**Figure 3-35 Size 4 E12/E54 drive surface mounting**



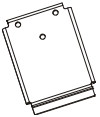

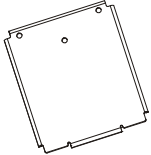
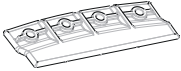
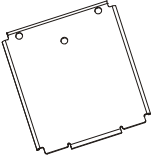
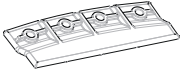
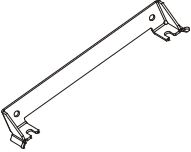
**Figure 3-36 Size 5 E12/E54 drive surface mounting**



**Figure 3-37 Size 6 E12/E54 drive surface mounting**



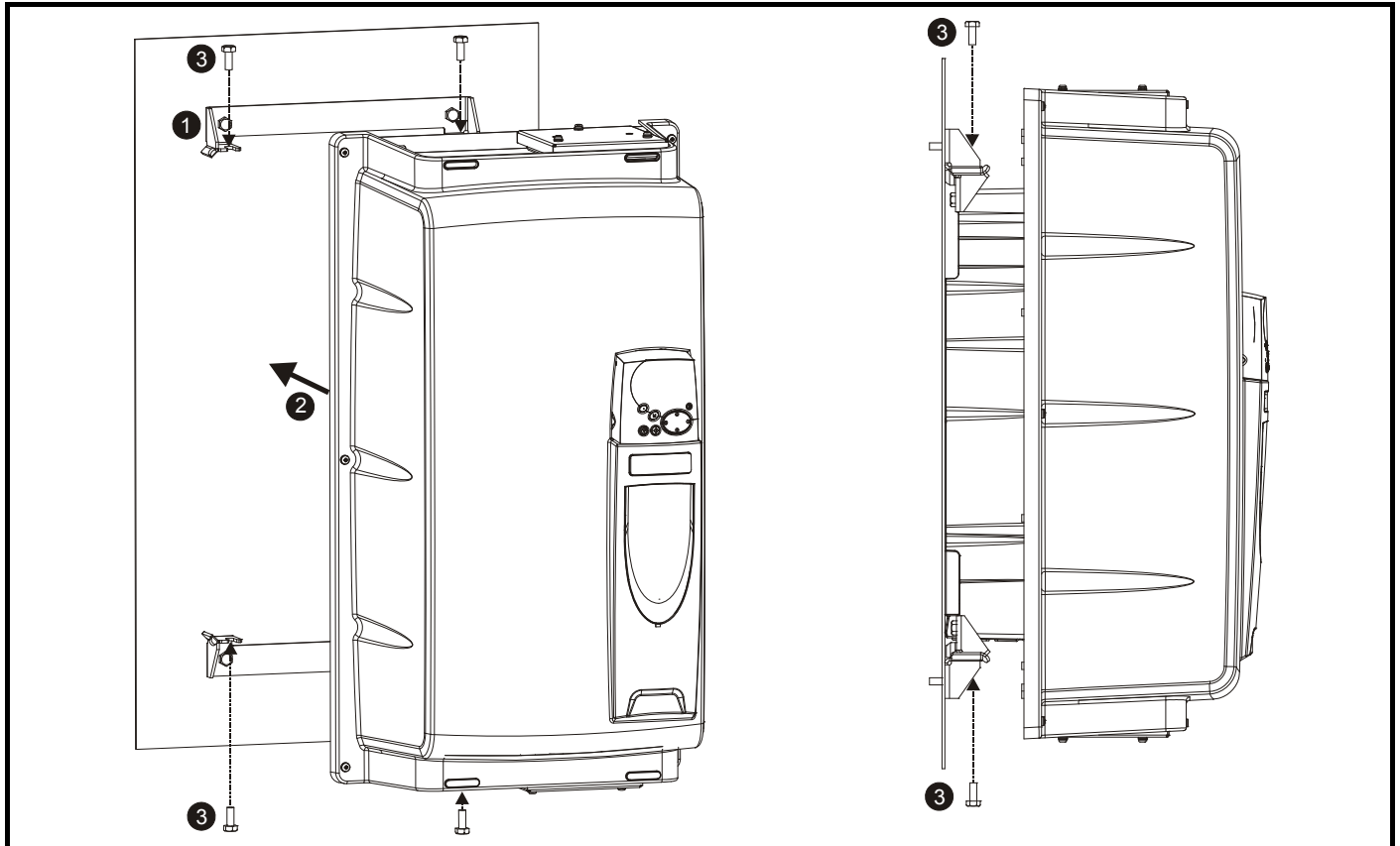
**Table 3-4 E12/E54 mounting brackets**

Model size	E12/E54 surface mounting brackets		Hole size
1	 x1	 x2	M6
2	 x1	 x2	M6
3	 x1	 x2	M6
4, 5, 6	 x2		M8

Only two of the brackets illustrated in Table 3-4 are required when surface mounting the E12/E54 drive. It is recommended as standard that one of each type is used as illustrated in Figure 3-32, Figure 3-33, Figure 3-34. However, if the E12/E54 drive is to be footprint mounted to an external EMC filter, both the smaller surface mounting brackets should be used.

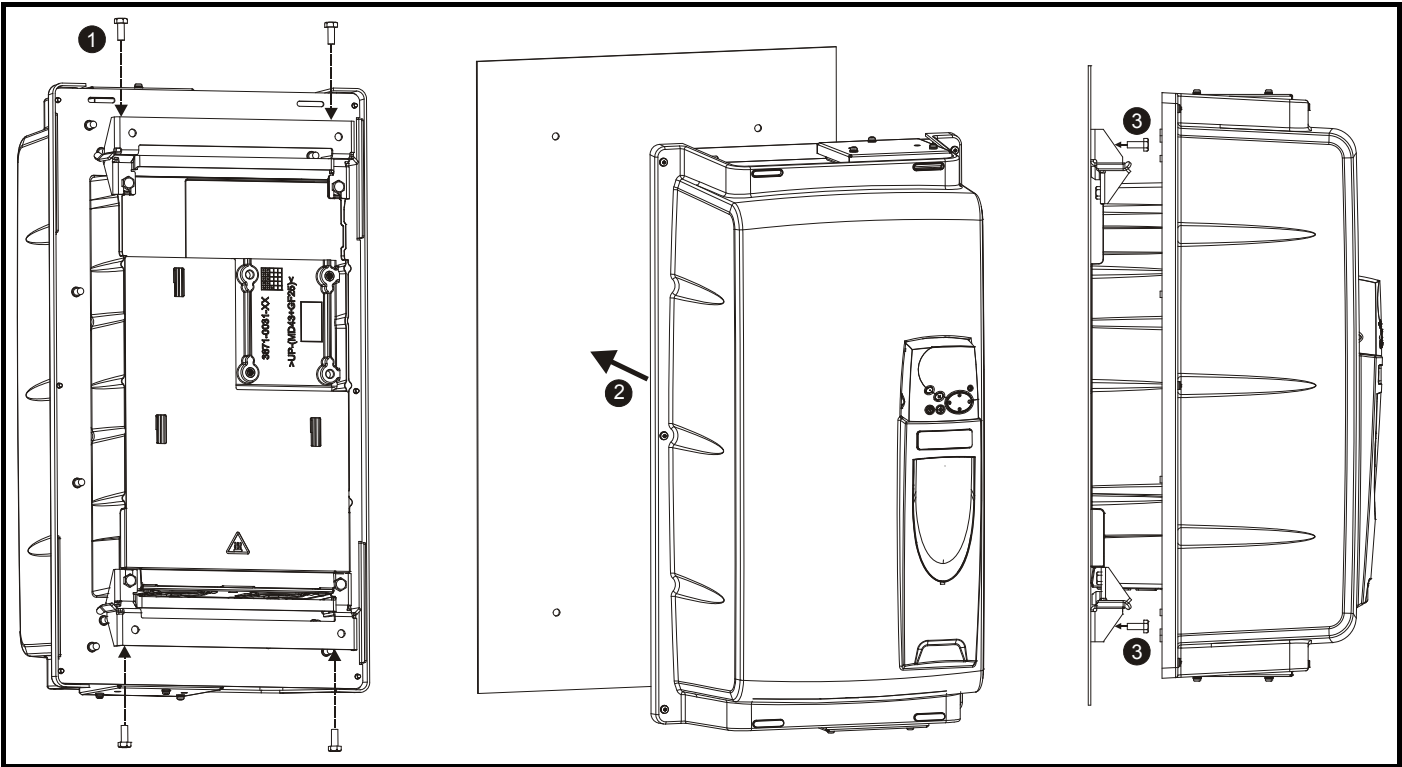
**Mounting the size 4 to 6 E12/E54 drive**

**Figure 3-38 Mounting option 1**



1. Bolt the two mounting brackets to the enclosure wall.
2. Manoeuvre the drive so it fits between the two mounting brackets
3. Use the M8 bolts provided to secure the drive to the mounting brackets (10 N m [7.4 lb ft]).

**Figure 3-39 Mounting option 2**



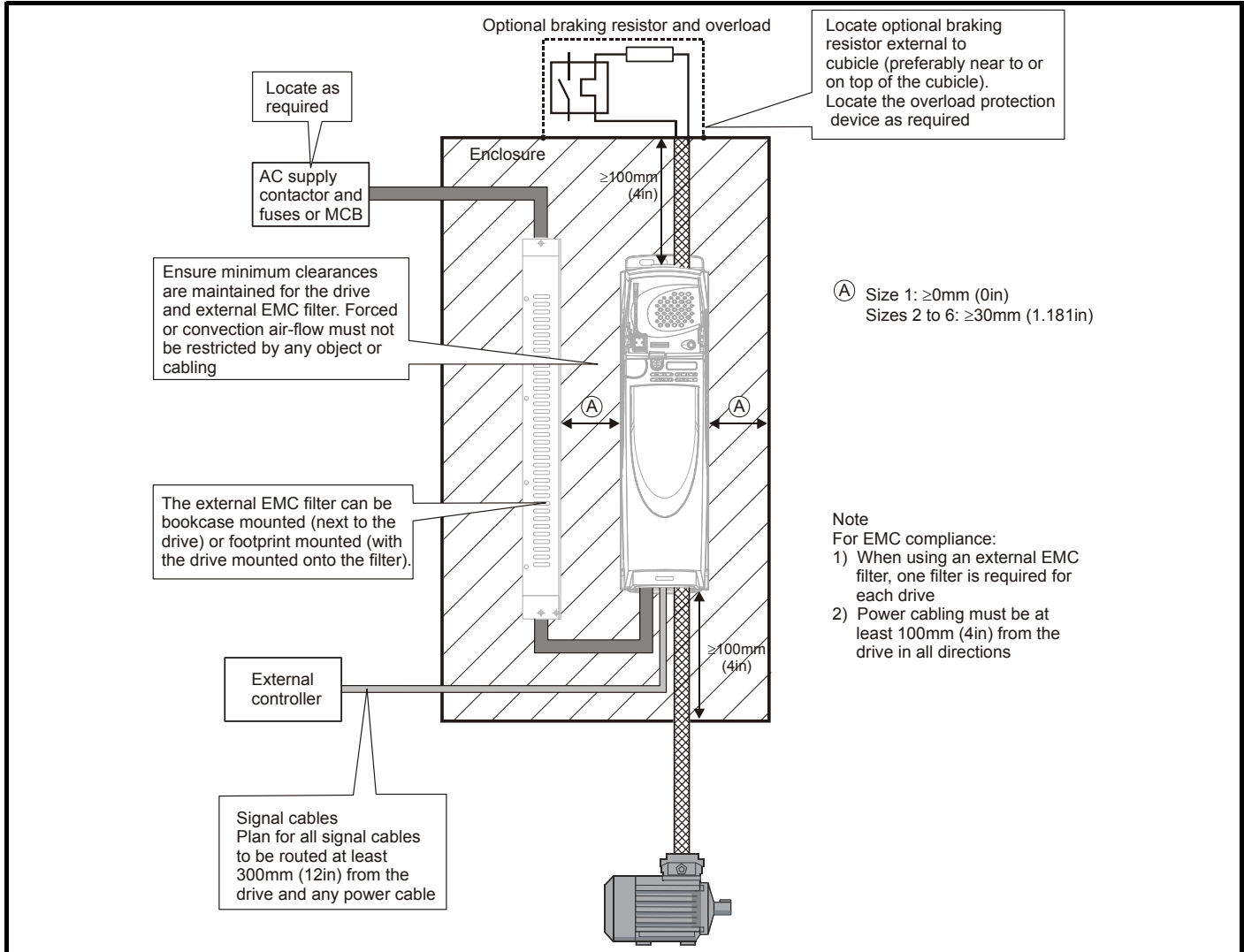
1. Use the M8 bolts provided to secure the mounting brackets to the drive (10 N m [7.4 lb ft]).
2. Once appropriate holes have been drilled into the back plate, line up the drive accordingly.
3. Bolt the drive to the backplate through the mounting brackets already secured to the drive.

## 3.6 Enclosure for standard drives

### 3.6.1 Enclosure layout

Please observe the clearances in the diagram below taking into account any appropriate notes for other devices / auxiliary equipment when planning the installation.

Figure 3-40 Enclosure layout



### 3.6.2 Enclosure sizing

1. Add the dissipation figures from section 12.1.2 *Power dissipation* on page 227 for each drive that is to be installed in the enclosure.
2. If an external EMC filter is to be used with each drive, add the dissipation figures from section 12.2.1 *EMC filter ratings* on page 241 for each external EMC filter that is to be installed in the enclosure.
3. If the braking resistor is to be mounted inside the enclosure, add the average power figures from for each braking resistor that is to be installed in the enclosure.
4. Calculate the total heat dissipation (in Watts) of any other equipment to be installed in the enclosure.
5. Add the heat dissipation figures obtained above. This gives a figure in Watts for the total heat that will be dissipated inside the enclosure.

#### Calculating the size of a sealed enclosure

The enclosure transfers internally generated heat into the surrounding air by natural convection (or external forced air flow); the greater the surface area of the enclosure walls, the better is the dissipation capability. Only the surfaces of the enclosure that are unobstructed (not in contact with a wall or floor) can dissipate heat.

Calculate the minimum required unobstructed surface area  $A_e$  for the enclosure from:

$$A_e = \frac{P}{k(T_{int} - T_{ext})}$$

Where:

- $A_e$  Unobstructed surface area in  $m^2$  ( $1 m^2 = 10.9 ft^2$ )
- $T_{ext}$  Maximum expected temperature in  $^{\circ}C$  *outside* the enclosure
- $T_{int}$  Maximum permissible temperature in  $^{\circ}C$  *inside* the enclosure
- $P$  Power in Watts dissipated by *all* heat sources in the enclosure
- $k$  Heat transmission coefficient of the enclosure material in  $W/m^2/^{\circ}C$

#### Example

To calculate the size of an enclosure for the following:

- Two BA1406 models operating at the Normal Duty rating
- Each drive to operate at 6kHz PWM switching frequency
- Schaffner 16 A (4200-6119) external EMC filter for each drive
- Braking resistors are to be mounted outside the enclosure
- Maximum ambient temperature inside the enclosure:  $40^{\circ}C$
- Maximum ambient temperature outside the enclosure:  $30^{\circ}C$

Dissipation of each drive: 187 W (see section 12-8 *Summary of drive losses tables* on page 227)

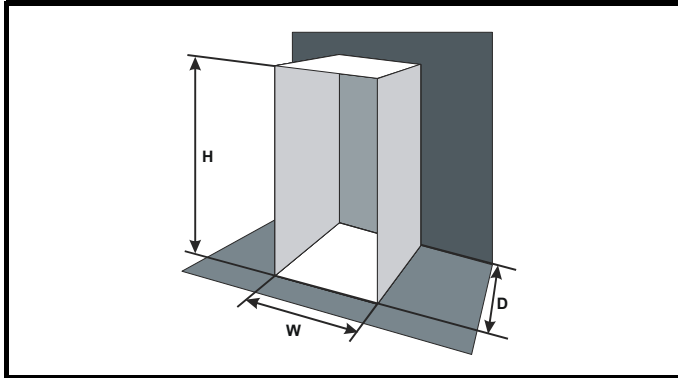
Dissipation of each external EMC filter: 9.2 W (max) (see section 12.2.1 *EMC filter ratings* on page 241)

Total dissipation:  $2 \times (187 + 9.2) = 392.4 \text{ W}$

The enclosure is to be made from painted 2 mm (0.079 in) sheet steel having a heat transmission coefficient of  $5.5 \text{ W/m}^2/^\circ\text{C}$ . Only the top, front, and two sides of the enclosure are free to dissipate heat.

The value of  $5.5 \text{ W/m}^2/^\circ\text{C}$  can generally be used with a sheet steel enclosure (exact values can be obtained by the supplier of the material). If in any doubt, allow for a greater margin in the temperature rise.

**Figure 3-41 Enclosure having front, sides and top panels free to dissipate heat**



Insert the following values:

$T_{\text{int}}$	$40^\circ\text{C}$
$T_{\text{ext}}$	$30^\circ\text{C}$
$k$	5.5
$P$	392.4 W

The minimum required heat conducting area is then:

$$A_e = \frac{392.4}{5.5(40 - 30)}$$

$$= 7.135 \text{ m}^2 \text{ (77.8 ft}^2\text{)} \quad (1 \text{ m}^2 = 10.9 \text{ ft}^2)$$

Estimate two of the enclosure dimensions - the height (H) and depth (D), for instance. Calculate the width (W) from:

$$W = \frac{A_e - 2HD}{H + D}$$

Inserting  $H = 2\text{m}$  and  $D = 0.6\text{m}$ , obtain the minimum width:

$$W = \frac{7.135 - (2 \times 2 \times 0.6)}{2 + 0.6}$$

$$= 1.821 \text{ m (71.7 in)}$$

If the enclosure is too large for the space available, it can be made smaller only by attending to one or all of the following:

- Using a lower PWM switching frequency to reduce the dissipation in the drives
- Reducing the ambient temperature outside the enclosure, and/or applying forced-air cooling to the outside of the enclosure
- Reducing the number of drives in the enclosure
- Removing other heat-generating equipment

### Calculating the air-flow in a ventilated enclosure

The dimensions of the enclosure are required only for accommodating the equipment. The equipment is cooled by the forced air flow.

Calculate the minimum required volume of ventilating air from:

$$V = \frac{3kP}{T_{\text{int}} - T_{\text{ext}}}$$

Where:

$V$	Air-flow in $\text{m}^3$ per hour ( $1 \text{ m}^3/\text{hr} = 0.59 \text{ ft}^3/\text{min}$ )
$T_{\text{ext}}$	Maximum expected temperature in $^\circ\text{C}$ <i>outside</i> the enclosure
$T_{\text{int}}$	Maximum permissible temperature in $^\circ\text{C}$ <i>inside</i> the enclosure
$P$	Power in Watts dissipated by <i>all</i> heat sources in the enclosure
$k$	Ratio of $\frac{P_o}{P_i}$

Where:

$P_o$	is the air pressure at sea level
$P_i$	is the air pressure at the installation

Typically use a factor of 1.2 to 1.3, to allow also for pressure-drops in dirty air-filters.

### Example

To calculate the size of an enclosure for the following:

- Three BA1403 models operating at the Normal Duty rating
- Each drive to operate at 6kHz PWM switching frequency
- Schaffner 10A (4200-6118) external EMC filter for each drive
- Braking resistors are to be mounted outside the enclosure
- Maximum ambient temperature inside the enclosure:  $40^\circ\text{C}$
- Maximum ambient temperature outside the enclosure:  $30^\circ\text{C}$

Dissipation of each drive: 101 W

Dissipation of each external EMC filter: 6.9 W (max)

Total dissipation:  $3 \times (101 + 6.9) = 323.7 \text{ W}$

Insert the following values:

$T_{\text{int}}$	$40^\circ\text{C}$
$T_{\text{ext}}$	$30^\circ\text{C}$
$k$	1.3
$P$	323.7 W

Then:

$$V = \frac{3 \times 1.3 \times 323.7}{40 - 30}$$

$$= 126.2 \text{ m}^3/\text{hr (74.5 ft}^3/\text{min)} \quad (1 \text{ m}^3/\text{hr} = 0.59 \text{ ft}^3/\text{min})$$

## 3.7 Enclosure design and drive ambient temperature

Drive derating is required for operation in high ambient temperatures. Totally enclosing or through panel mounting the drive in either a sealed cabinet (no airflow) or in a well ventilated cabinet makes a significant difference on drive cooling.

The chosen method affects the ambient temperature value ( $T_{\text{rate}}$ ) which should be used for any necessary derating to ensure sufficient cooling for the whole of the drive.

The ambient temperature for the four different combinations is defined below:

1. Totally enclosed with no air flow ( $<2 \text{ m/s}$ ) over the drive  
 $T_{\text{rate}} = T_{\text{int}} + 5^\circ\text{C}$
2. Totally enclosed with air flow ( $>2 \text{ m/s}$ ) over the drive  
 $T_{\text{rate}} = T_{\text{int}}$
3. Through panel mounted with no airflow ( $<2 \text{ m/s}$ ) over the drive  
 $T_{\text{rate}} = \text{the greater of } T_{\text{ext}} + 5^\circ\text{C}, \text{ or } T_{\text{int}}$
4. Through panel mounted with air flow ( $>2 \text{ m/s}$ ) over the drive  
 $T_{\text{rate}} = \text{the greater of } T_{\text{ext}} \text{ or } T_{\text{int}}$

Where:

$T_{\text{ext}}$	= Temperature outside the cabinet
$T_{\text{int}}$	= Temperature inside the cabinet
$T_{\text{rate}}$	= Temperature used to select current rating from tables in Chapter 12 <i>Technical data</i> .

### 3.8 Enclosing standard drive for high environmental protection

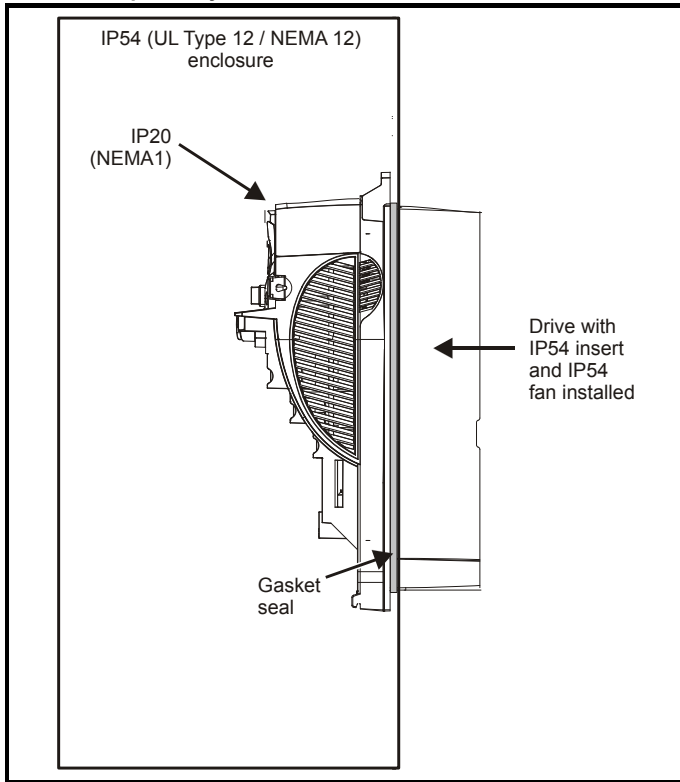
An explanation of environmental protection rating is provided in section 12.1.9 *Environmental Protection Rating* on page 233.

The standard drive is rated to IP20 pollution degree 2 (dry, non-conductive contamination only) (UL Type 1 / NEMA 1). However, it is possible to configure the drive to achieve IP54 rating (UL Type 12 / NEMA 12) at the rear of the heatsink for through-panel mounting (some current derating is required for size 1 and 2). Refer to Table 12-2 on page 223.

This allows the front of the drive, along with various switchgear, to be housed in an IP54 (UL Type 12 / NEMA 12) enclosure with the heatsink protruding through the panel to the external environment. Thus, the majority of the heat generated by the drive is dissipated outside the enclosure maintaining a reduced temperature inside the enclosure. This also relies on a good seal being made between the heatsink and the rear of the enclosure using the gaskets provided.

**For Type 12 the drive must be mounted on a flat surface of a Type 12 enclosure.**

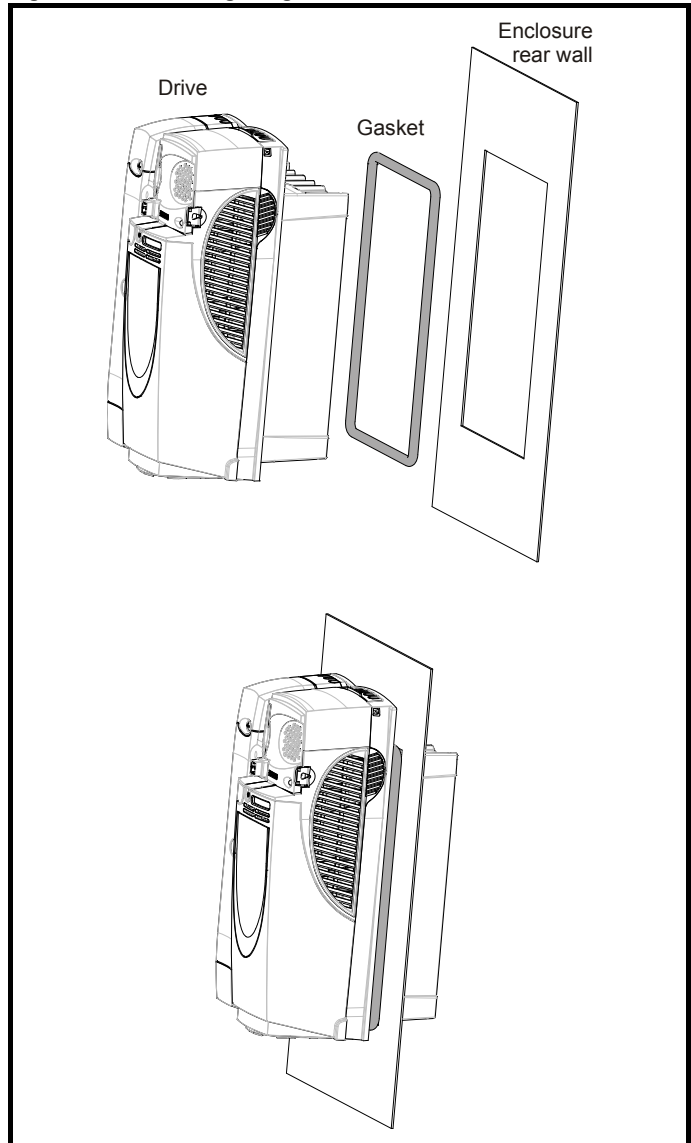
**Figure 3-42 Example of IP54 (UL Type 12 / NEMA 12) through-panel layout**



The main gasket should be installed as shown in Figure 3-43. Any screws / bolts that are used for mounting should be installed with the nylon washers provided in the kit box to maintain a seal around the screw hole. See Figure 3-46.

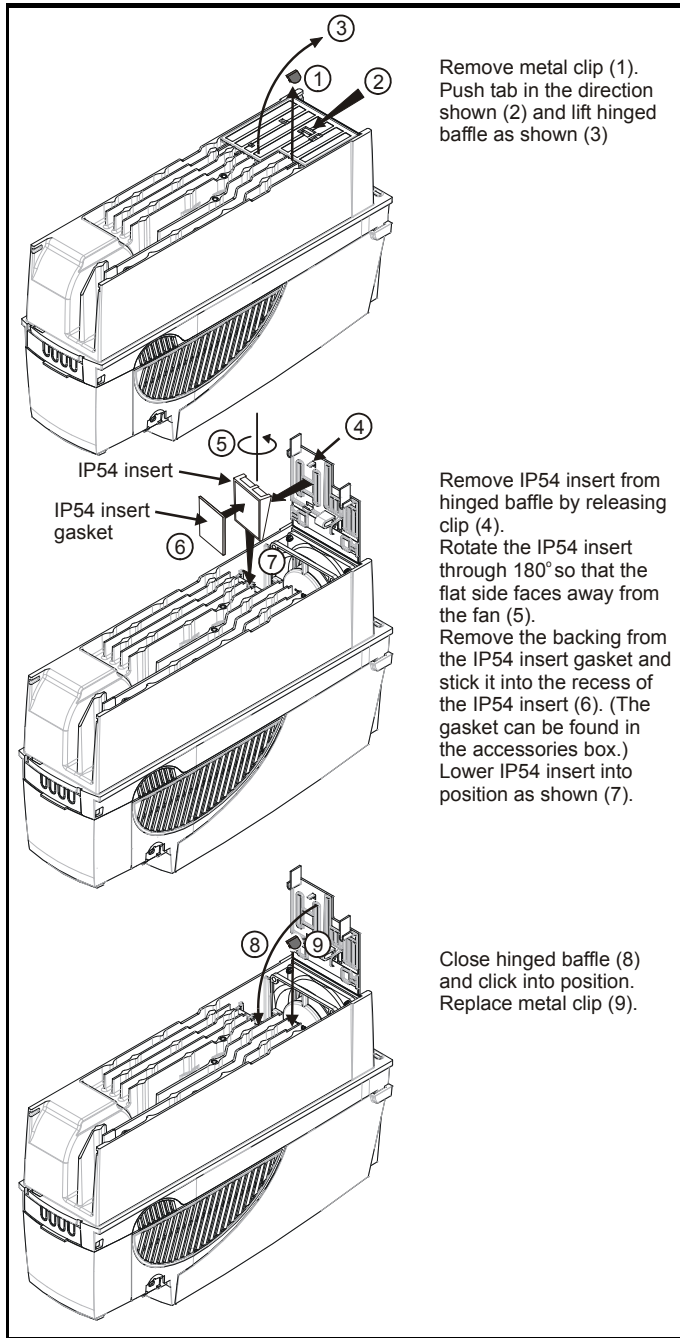
In order to achieve the high IP rating at the rear of the heatsink with size 1 and 2, it is necessary to seal a heatsink vent by installing the IP54 insert as shown in Figure 3-44 and Figure 3-45.

**Figure 3-43 Installing the gasket**





**Figure 3-44 Installation of IP54 insert for size 1**



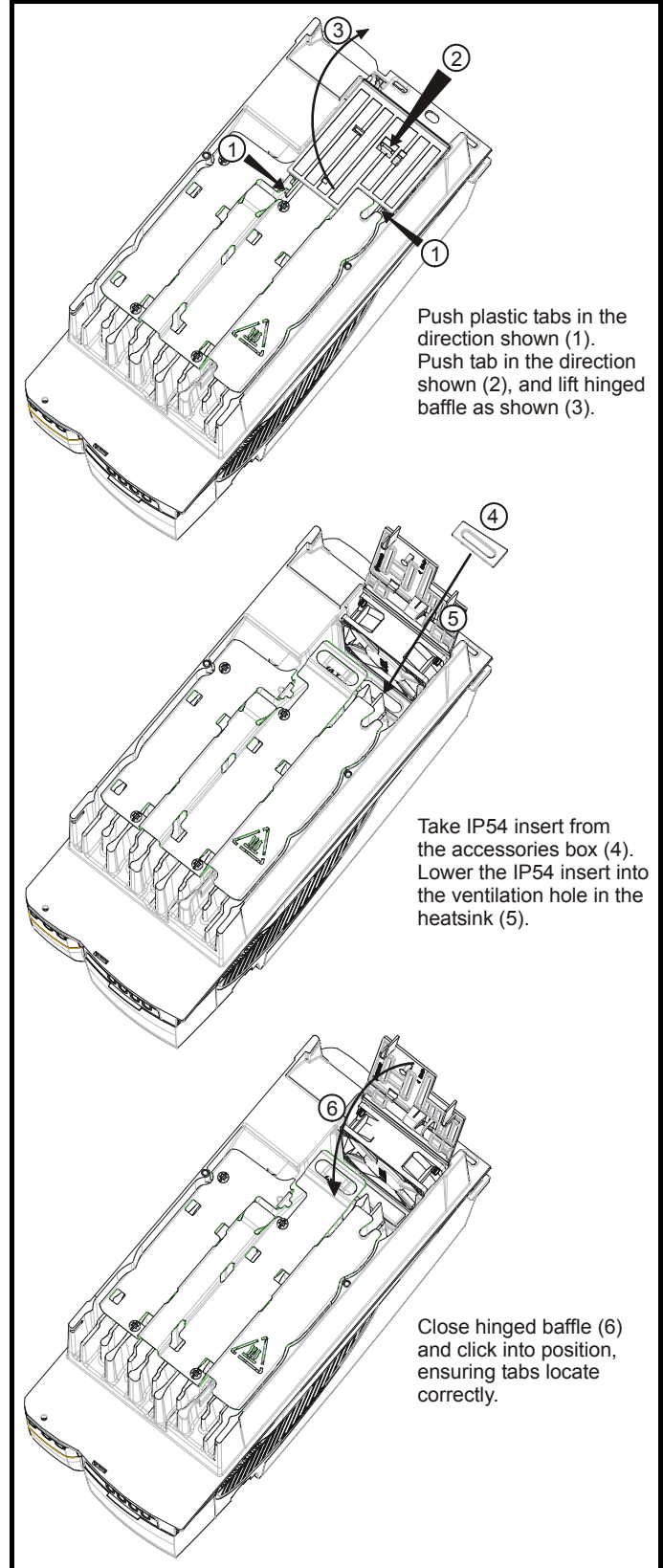
Remove metal clip (1). Push tab in the direction shown (2) and lift hinged baffle as shown (3)

Remove IP54 insert from hinged baffle by releasing clip (4). Rotate the IP54 insert through 180° so that the flat side faces away from the fan (5). Remove the backing from the IP54 insert gasket and stick it into the recess of the IP54 insert (6). (The gasket can be found in the accessories box.) Lower IP54 insert into position as shown (7).

Close hinged baffle (8) and click into position. Replace metal clip (9).

In order to remove the IP54 insert, repeat steps (1), (2) and (3), reverse steps (7), (6), (5) and (4) and repeat steps (8) and (9).

**Figure 3-45 Installation of IP54 insert for size 2**



Push plastic tabs in the direction shown (1). Push tab in the direction shown (2), and lift hinged baffle as shown (3).

Take IP54 insert from the accessories box (4). Lower the IP54 insert into the ventilation hole in the heatsink (5).

Close hinged baffle (6) and click into position, ensuring tabs locate correctly.

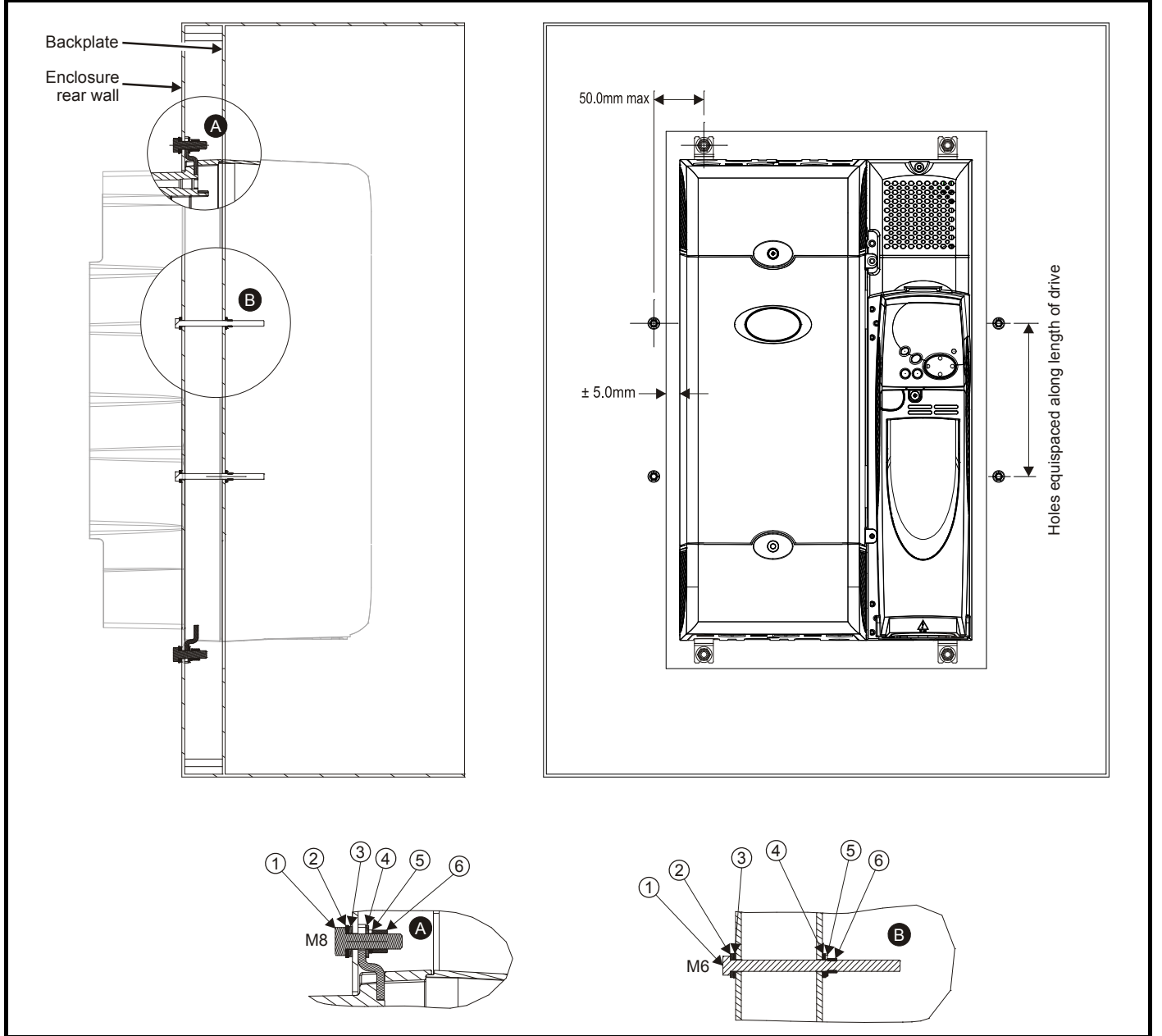
In order to remove the IP54 insert, repeat steps (1) (2) and (3), reverse steps (5) and (4) and repeat step (6).

For sizes 4 to 6 it may be necessary to improve the rigidity of the through panel mounting surface due to the larger distance between the top and bottom mounting brackets and the need to maintain compression on the gasket.

When the drive is mounted, if the gap between the drive flange (which the gasket rests on) and the rear wall of the enclosure is  $\geq 6\text{mm}$  at any point around the drive then the following methods can be used to compress the gasket further:

1. Use a thicker panel for the mounting wall of the enclosure through which the drive is mounted.
2. Use an internal backplate to pull the rear wall of the enclosure up to the drive gasket. See Figure 3-46 for details. (Nylon washers are supplied in the standard drive kit for sealing off any nut and bolt mountings that exit through the rear wall of the panel).
3. If an internal backplate is not available a separate clamp can be used to simulate option 2. See Figure 3-47. 4 off sealing clamps are supplied in the drive kit box.

**Figure 3-46 Option 2 for achieving IP54 (UL type 12 / NEMA 12) through-panel mounting**



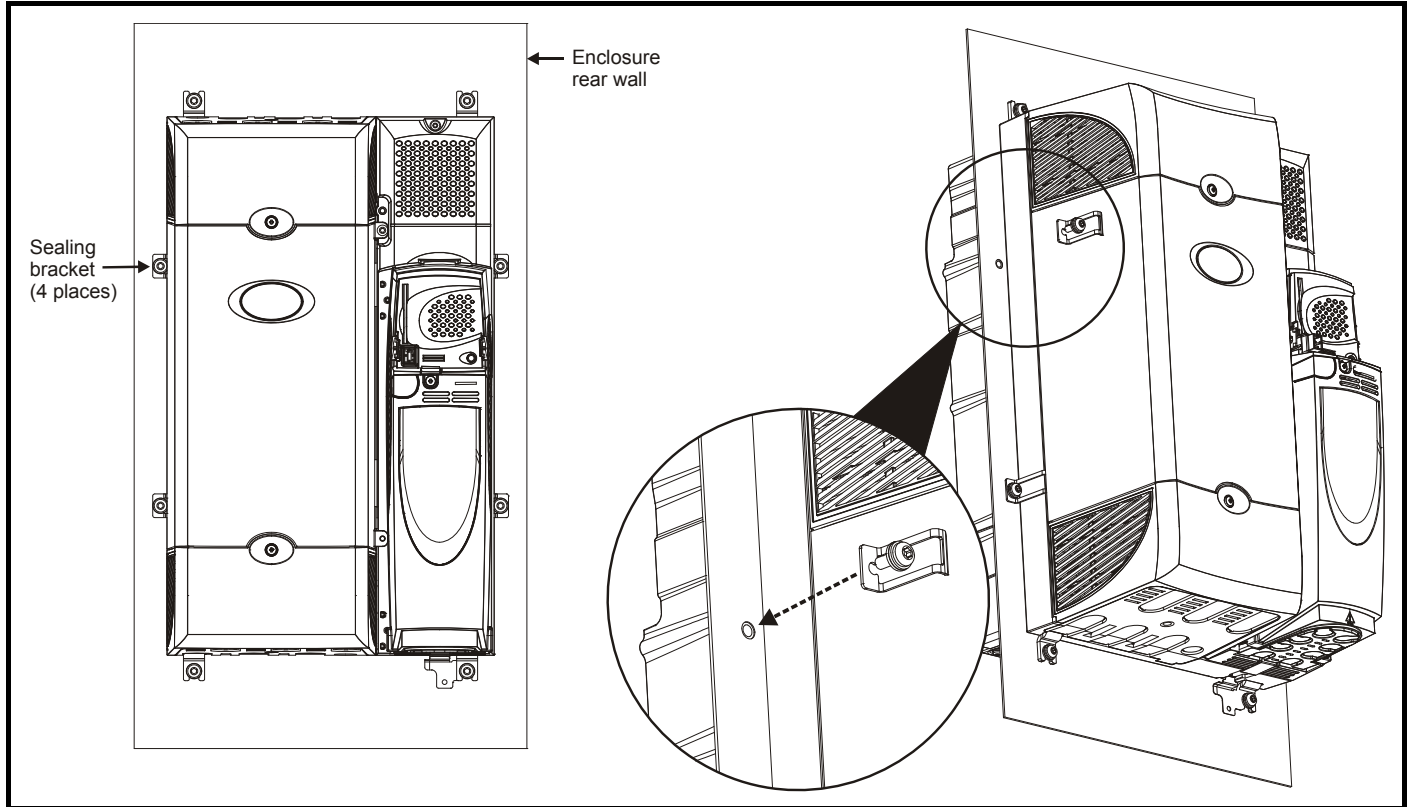
**Table 3-5 Description of fixings**

Item	Description
1	Bolt
2	Flat washer
3	Nylon washer (from kitbox)
4	Flat washer
5	Spring washer
6	Nut

**Table 3-6 Quantity of nylon washers supplied with the drive**

Size	Quantity of M8 (A)	Quantity of M6 (B)
1	0	3
2	0	3
3	0	4
4	4	4
5	4	4
6	4	4

**Figure 3-47 Option 3 for achieving IP54 (UL Type 12 / NEMA 12) through panel mounting**



For increased fan lifetime in a dirty environment the heatsink fan must be replaced with an IP54 rated fan. Contact the supplier of the drive for details. If the standard fan is used in a dirty/dusty environment, reduced fan lifetime will result. Regular cleaning of the fan and heatsink is recommended in this environment. The heatsink fan installed in sizes 5 and 6 are IP54 rated as standard.

The guidelines in Table 3-7 should be followed.

**Table 3-7 Environment considerations**

Environment	IP54 Insert	Fan	Comments
Clean	Not installed	Standard	
Dry, dusty (non-conductive)	Installed	Standard	Regular cleaning recommended. Fan lifetime may be reduced.
Dry, dusty (conductive)	Installed	Standard / IP54	Regular cleaning recommended. Fan lifetime may be reduced.
IP54 compliance	Installed	IP54	Regular cleaning recommended.

**NOTE**

A current derating must be applied to the size 1 and 2 if the IP54 insert and/or IP54 rated fan are installed. Derating information is provided in section 12.1.1 *Power and current ratings (Derating for switching frequency and temperature)* on page 222.

Failure to do so may result in nuisance tripping.

**NOTE**

When designing an IP54 (NEMA 12) enclosure (Figure 3-42), consideration should be made to the dissipation from the front of the drive.

**Table 3-8 Power losses from the front of the drive when through-panel mounted**

Frame size	Power loss
1	≤50W
2	≤75W
3	≤100W
4	≤204W
5	≤347W
6	≤480W

### 3.9 External EMC filter for standard drives

In order to provide our customers with a degree of flexibility, external EMC filters have been sourced from two manufacturers: Schaffner & Epcos. Filter details for each drive rating are provided in the tables below. Both the Schaffner and Epcos filters meet the same specifications.

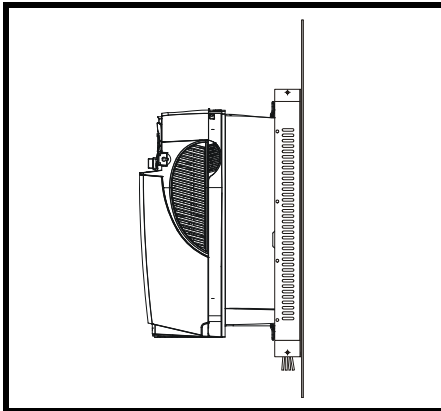
**Table 3-9 Drive EMC filter details (size 1 to 6)**

Drive	Schaffner IP20		Epcos IP20		Schaffner IP54	
	CT part no.	Weight	CT part no.	Weight	CT part no.	Weight
BA1201 to BA1202	4200-6118	1.4 kg (3.1 lb)	4200-6121	2.1 kg (4.6 lb)	4200-6125	2.25 kg (5.0lb)
BA1203 to BA1204	4200-6119		4200-6120		4200-6124	2.3 kg (5.1lb)
BA1401 to BA1404	4200-6118	1.4 kg (3.1 lb)	4200-6121	2.1 kg (4.6 lb)	4200-6125	2.25 kg (5.0 lb)
BA1405 to BA1406	4200-6119		4200-6120		4200-6124	2.3 kg (5.1 lb)
BA2201 to BA2203	4200-6210	2.0 kg (4.4 lb)	4200-6211	3.3 kg (7.3 lb)	4200-6218	4.5 kg (9.9 lb)
BA2401 to BA2403	4200-6210	2.0 kg (4.4 lb)	4200-6211	3.3 kg (7.3 lb)	4200-6218	4.5 kg (9.9 lb)
BA3201 to BA3202	4200-6307	3.5 kg (7.7 lb)	4200-6306	5.1 kg (11.2 lb)	4200-6319	9.4 kg (20.7 lb)
BA4201 to BA4203	4200-6406	4.0 kg (8.8 lb)	4200-6405	7.8 kg (17.2 lb)		
BA3401 to BA3403	4200-6305	3.5 kg (7.7 lb)	4200-6306	5.1 kg (11.2 lb)	4200-6318	8.75 kg (19.3 lb)
BA3501 to BA3507	4200-6309		4200-6308		4200-6320	8.75 kg (19.3 lb)
BA4401 to BA4403	4200-6406	4.0 kg (8.8 lb)	4200-6405	7.8 kg (17.2 lb)		
BA4601 to BA4606	4200-6408	3.8 kg (8.4 lb)	4200-6407	8.0 kg (17.6 lb)		
BA5401 to BA5402	4200-6503	6.8 kg (15.0 lb)	4200-6501	12.0 kg (26.5 lb)		
BA5601 to BA5602	4200-6504	4.4 kg (9.7 lb)	4200-6502	10.0 kg (22.0 lb)		
BA6401 to BA6402	4200-6603	5.25 kg (11.6 lb)	4200-6601	8.6 kg (19.0 lb)		
BA6601 to BA6602	4200-6604		4200-6602			

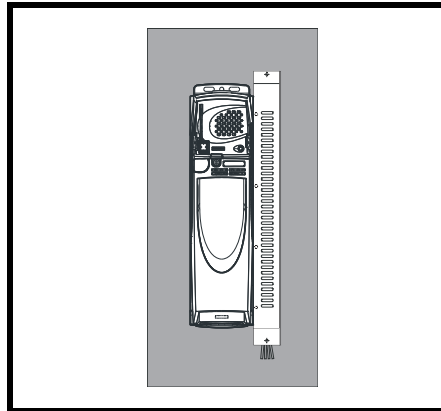
The external EMC filters for sizes 1 to 3 can be footprint or bookcase mounted, see Figure 3-48 and Figure 3-49. The external EMC filters for sizes 4 to 6 are designed to be mounted above the drive, as shown in Figure 3-50.

Mount the external EMC filter following the guidelines in section 4.11.5 *Compliance with generic emission standards* on page 82.

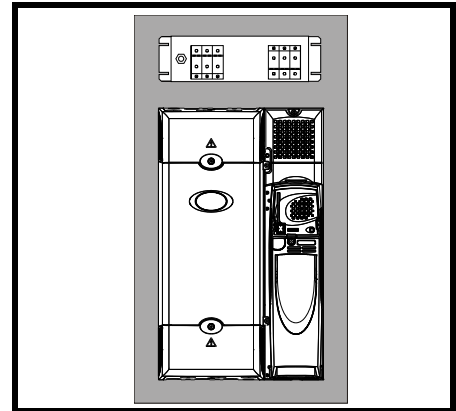
**Figure 3-48 Footprint mounting the EMC filter**



**Figure 3-49 Bookcase mounting the EMC filter**



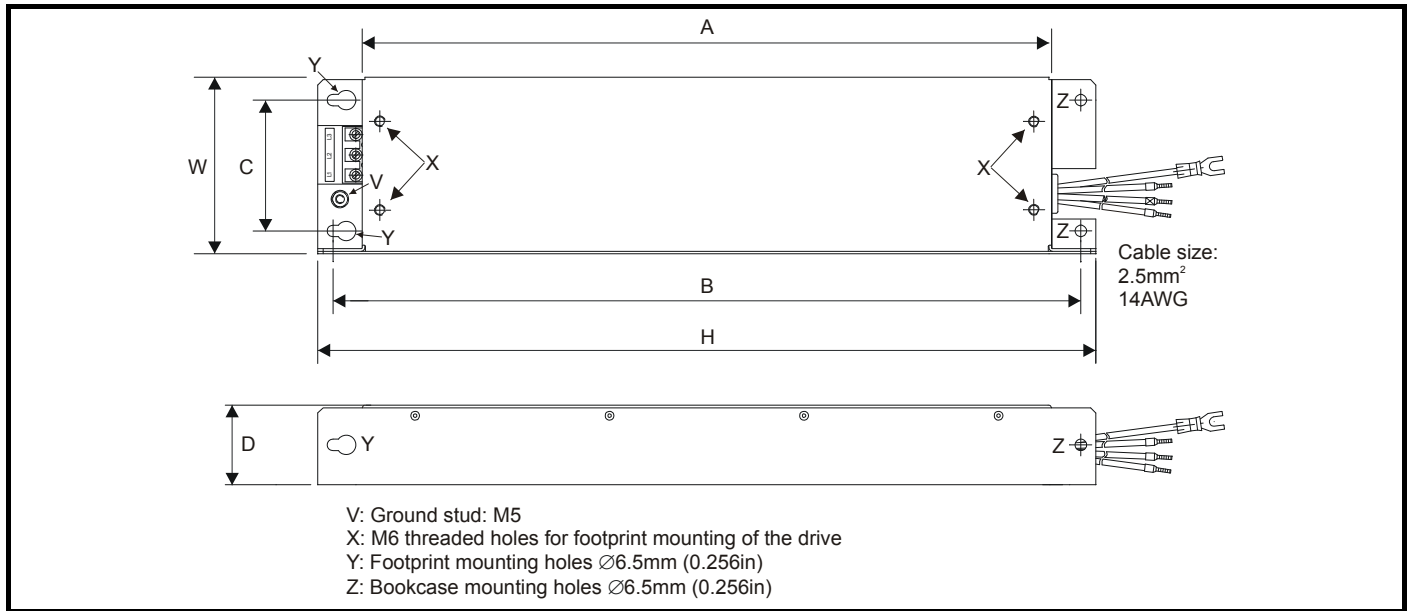
**Figure 3-50 Size 4 to 6 mounting of EMC filter**



**NOTE**

The EMC filter cannot be footprint mounted when the conduit box is used.

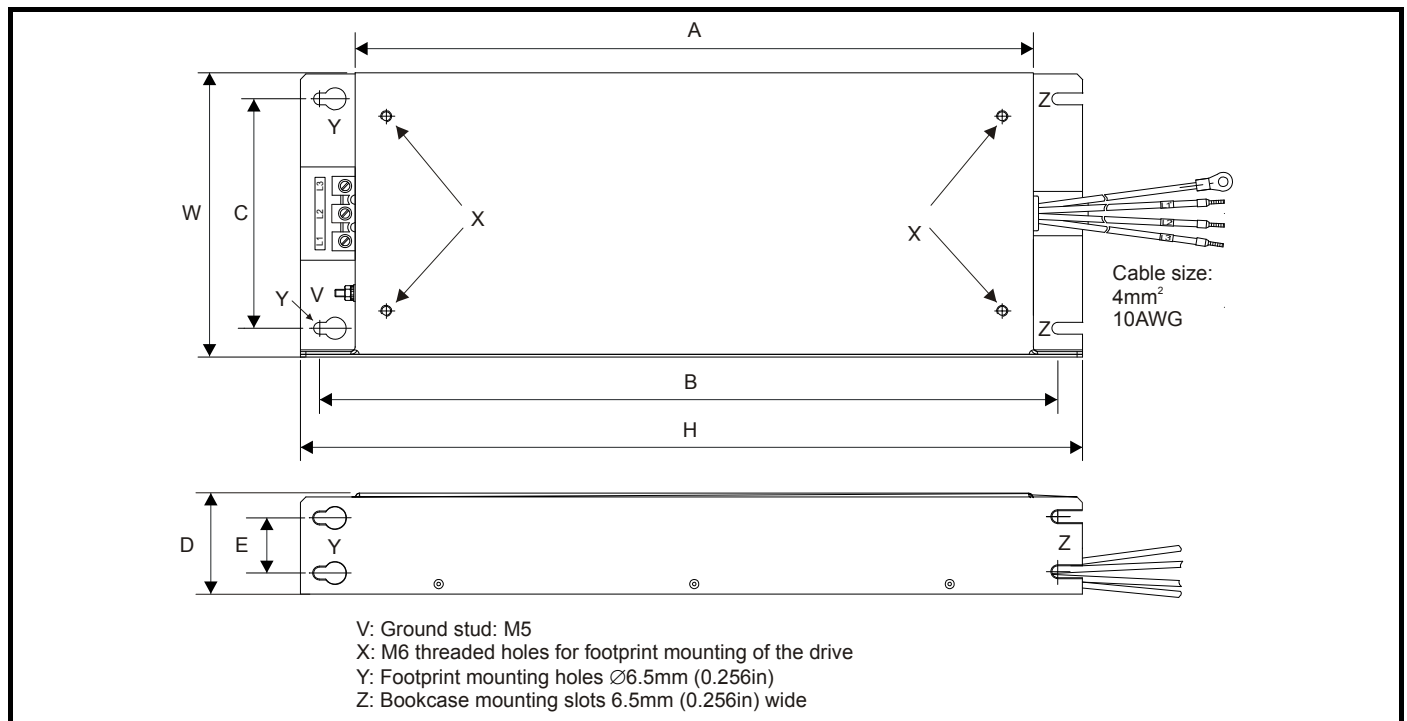
**Figure 3-51 Size 1 external EMC filter**



All filter mounting holes are suitable for M6 fasteners.

CT part no.	Manufacturer	A	B	C	D	H	W
4200-6118	Schaffner	390 mm (15.354 in)	423 mm (16.654 in)	74 mm (2.913 in)	45 mm (1.772 in)	440 mm (17.323 in)	100 mm (3.937 in)
4200-6119						450 mm (17.717 in)	
4200-6121	Epcos	390 mm (15.354 in)	423 mm (16.654 in)	74 mm (2.913 in)	45 mm (1.772 in)	440 mm (17.323 in)	100 mm (3.937 in)
4200-6120						450 mm (17.717 in)	

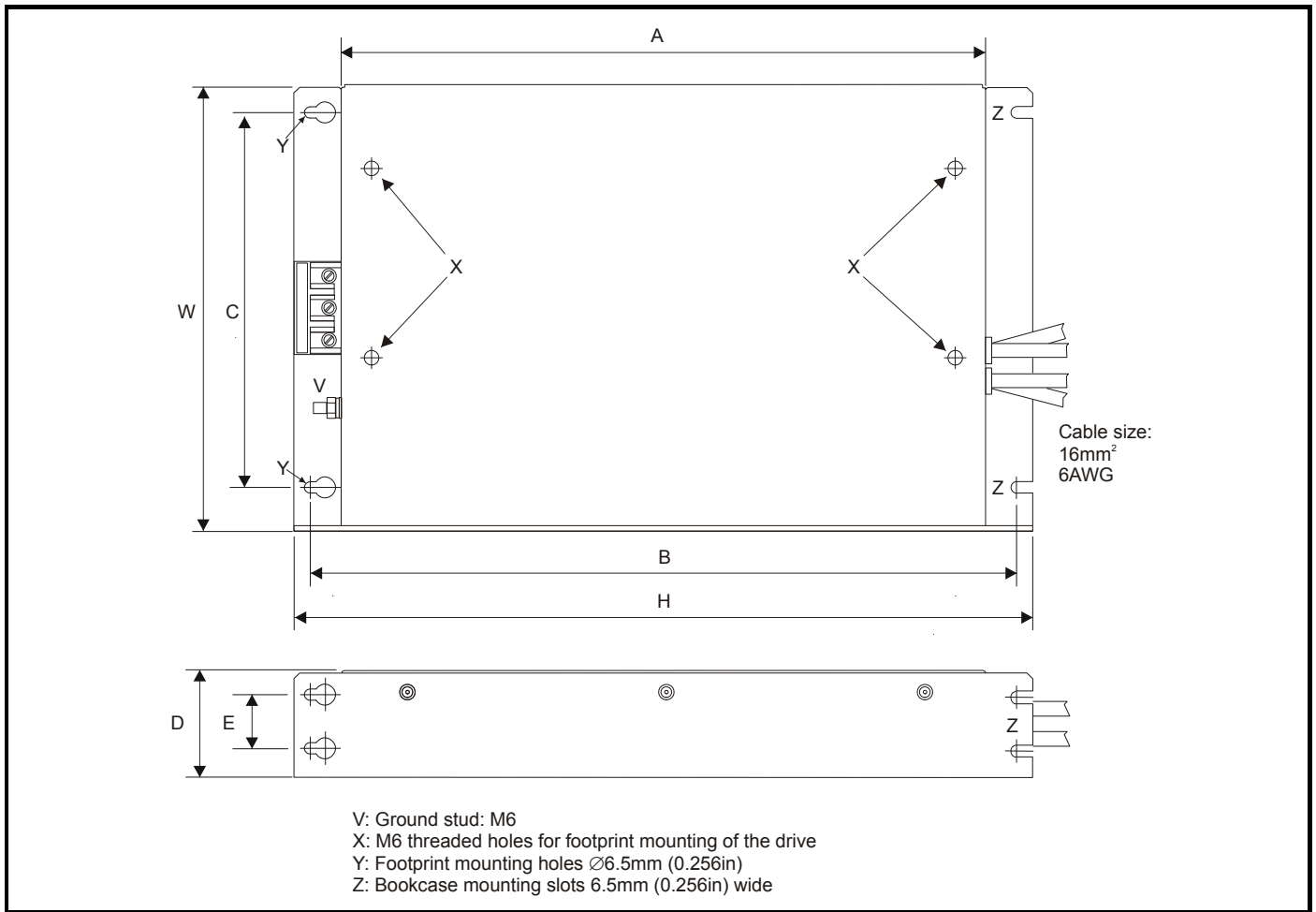
**Figure 3-52 Size 2 external EMC filter**



All filter mounting holes are suitable for M6 fasteners.

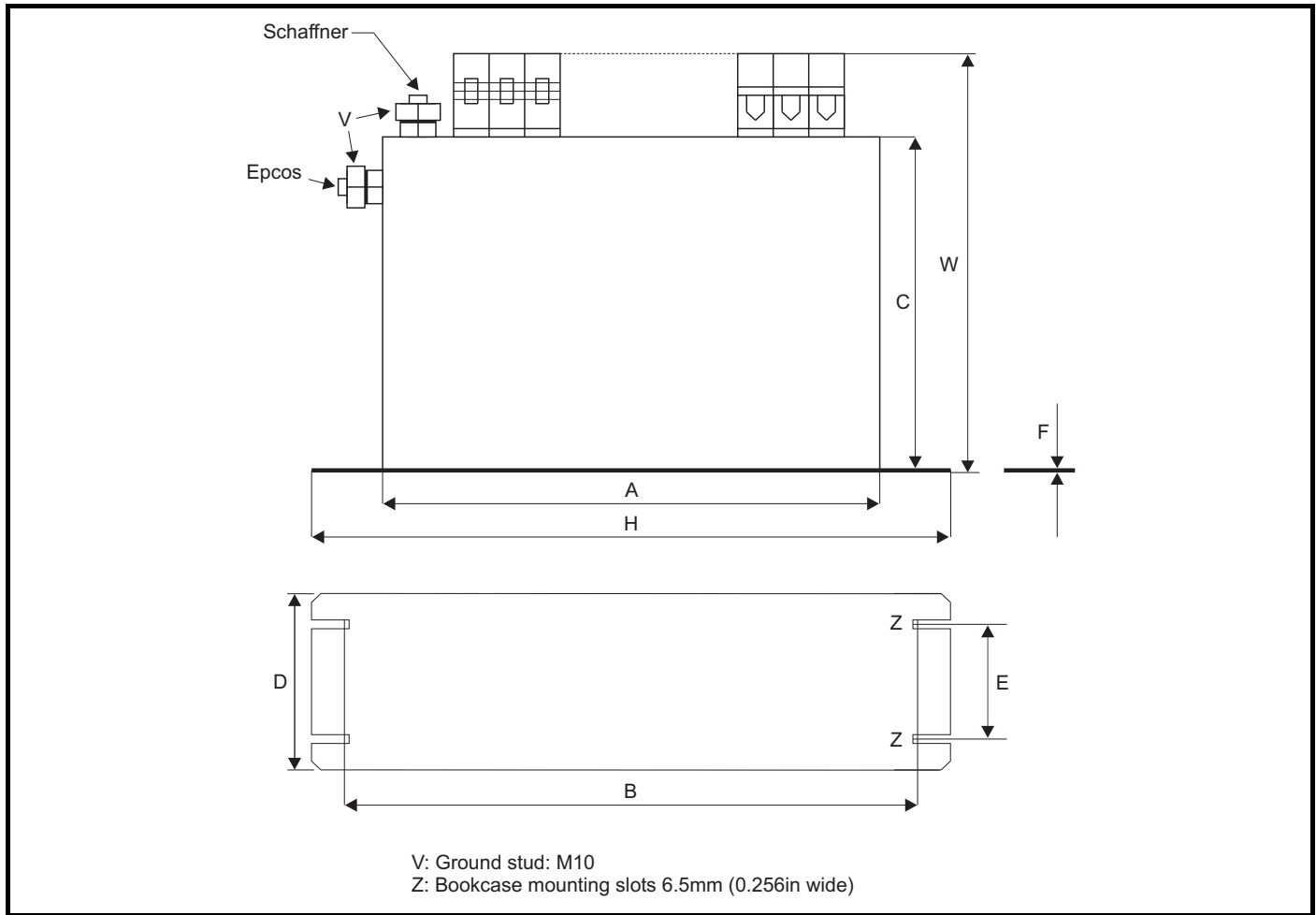
CT part no.	Manufacturer	A	B	C	D	E	H	W
4200-6210	Schaffner	371.5 mm (14.626 in)	404.5 mm (15.925 in)	125 mm (4.921 in)	55 mm (2.165 in)	30 mm (1.181 in)	428.5 mm (16.870 in)	155 mm (6.102 in)
4200-6211	Epcos	371.5 mm (14.626 in)	404.5 mm (15.925 in)	125 mm (4.921 in)	55 mm (2.165 in)	30 mm (1.181 in)	431.5 mm (16.988 in)	

**Figure 3-53 Size 3 external EMC filter**



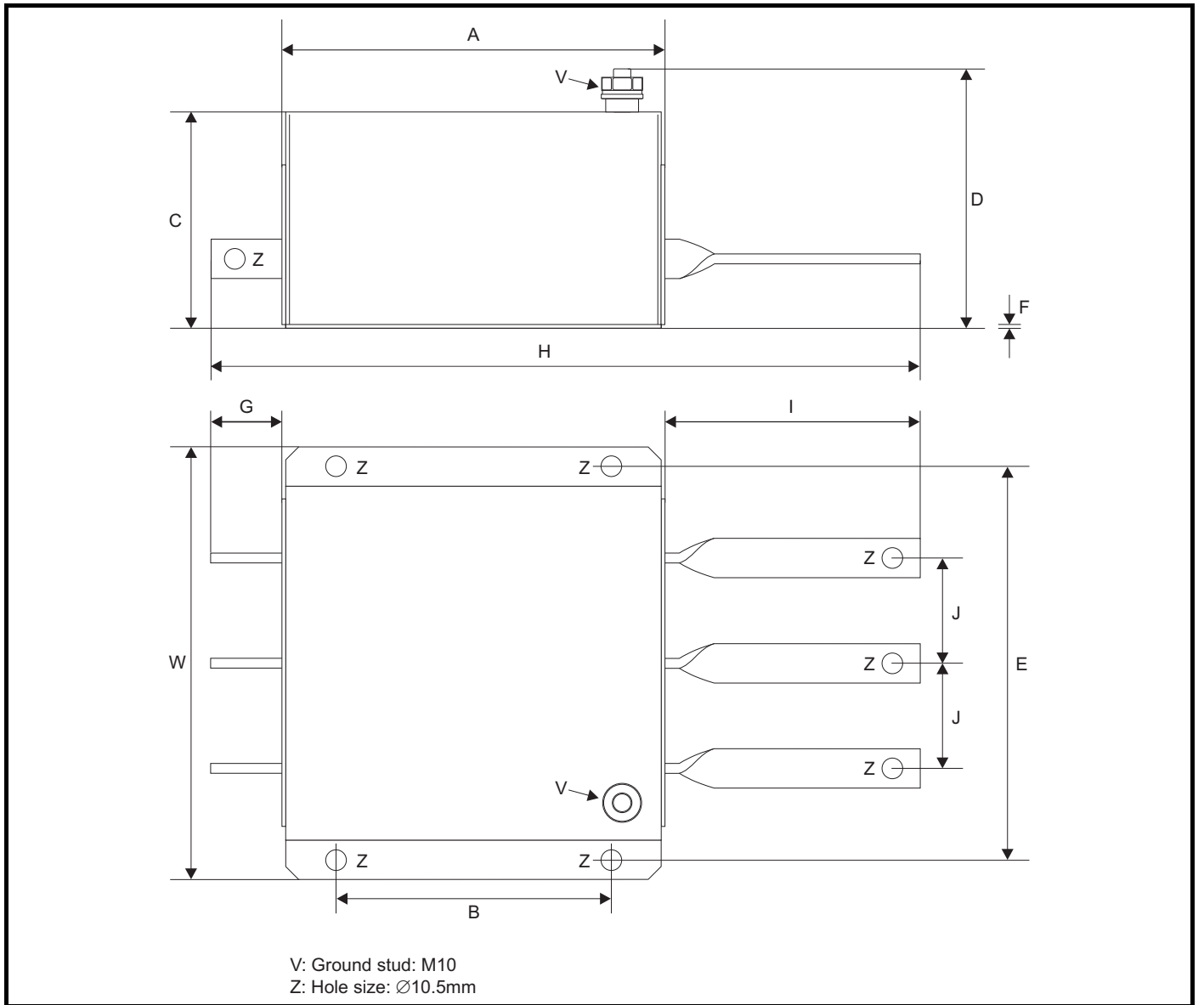
CT part no.	Manufacturer	A	B	C	D	E	H	W
4200-6305	Schaffner	361 mm (14.213 in)	396 mm (15.591 in)	210 mm (8.268 in)	60 mm (2.362 in)	30 mm (1.181 in)	414 mm (16.299 in)	250 mm (9.843 in)
4200-6307								
4200-6309								
4200-6306	Epcos	365 mm (14.370 in)					425 mm (16.732 in)	
4200-6308								

**Figure 3-54 Size 4 and 5 external EMC filter**



CT part no.	Manufacturer	A	B	C	D	E	F	H	W
4200-6406	Schaffner	260 mm (10.236 in)	275 mm (10.827 in)	170 mm (6.693 in)	100 mm (3.937 in)	65 mm (2.559 in)	1.5 mm (0.059in)	300 mm (11.811 in)	225 mm (8.858 in)
4200-6408					120 mm (4.724 in)	85 mm (3.346 in)			208 mm (8.189 in)
4200-6503					100 mm (3.937 in)	65 mm (2.559 in)			249 mm (9.803 in)
4200-6504					150 mm (5.906 in)	90 mm (3.543in)			65 mm (2.559 in)
4200-6405	Epcos	260 mm (10.236 in)	275 mm (10.827 in)	170 mm (6.693 in)	90 mm (3.543in)	65 mm (2.559 in)	2 mm (0.079 in)	300 mm (11.811 in)	205 mm (8.071 in)
4200-6407					120 mm (4.724 in)	85 mm (3.346 in)	1 mm (0.039 in)		249 mm (9.803 in)
4200-6501									
4200-6502									

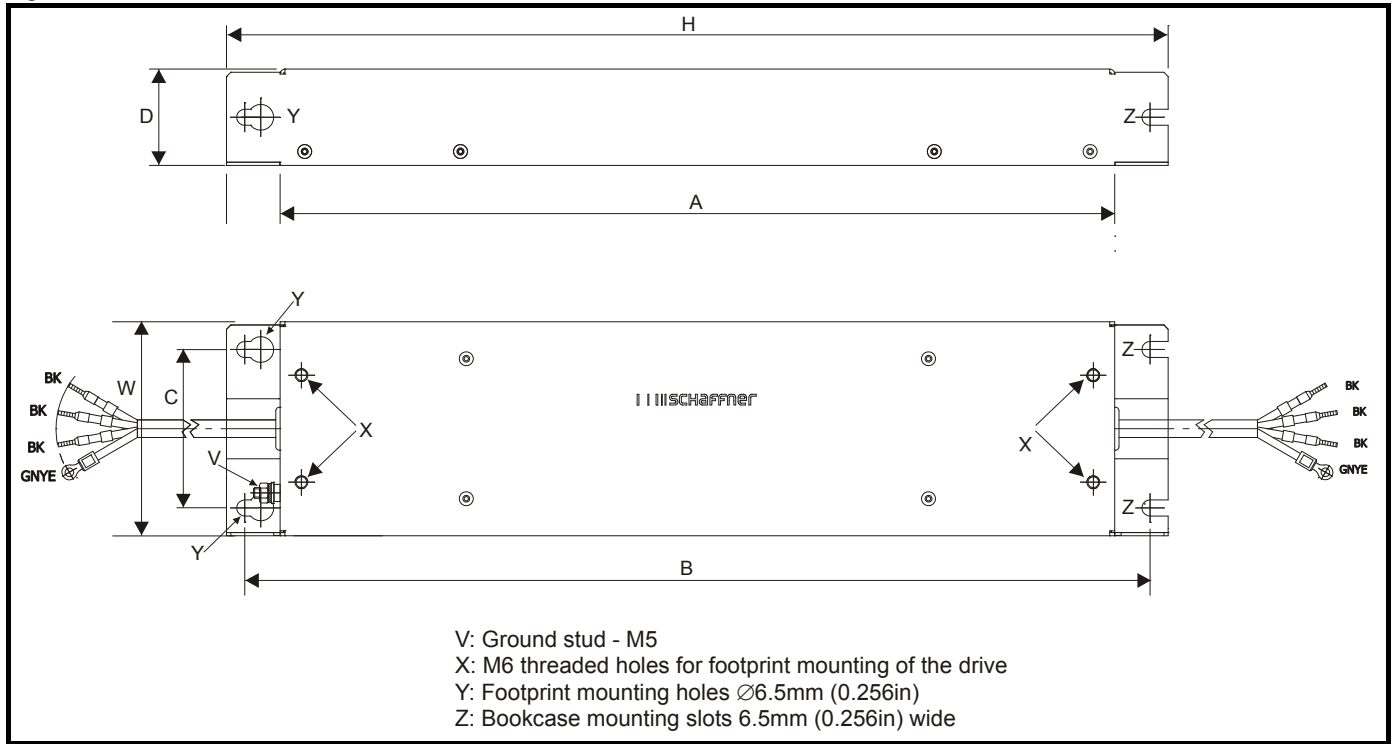
**Figure 3-55 Size 6 external EMC filter**



CT part no.	Manufacturer	A	B	C	D	E	F	G	H	I	J	W
4200-6603	Schaffner	191 mm (7.717 in)	140 mm (5.512 in)	110 mm (4.331 in)	136 mm (5.354 in)	210 mm (8.268 in)	2 mm (0.079 in)	38 mm (1.496 in)	295 mm (11.614 in)	66 mm (2.958 in)	53.5 mm (2.106 in)	230 mm (9.055 in)
4200-6604				108 mm (4.252 in)	147 mm (5.787 in)			357 mm (14.055 in)	128 mm (5.039 in)			
4200-6601	Epcos	200 mm (7.874 in)	140 mm (5.512 in)	108 mm (4.252 in)	147 mm (5.787 in)	210 mm (8.268 in)	2 mm (0.079 in)	36.5 mm (1.437 in)	364 mm (14.331 in)	127 mm (5.000 in)	53.5 mm (2.106 in)	230 mm (9.055 in)
4200-6602				108 mm (4.252 in)	147 mm (5.787 in)			36.5 mm (1.437 in)	364 mm (14.331 in)	127 mm (5.000 in)		

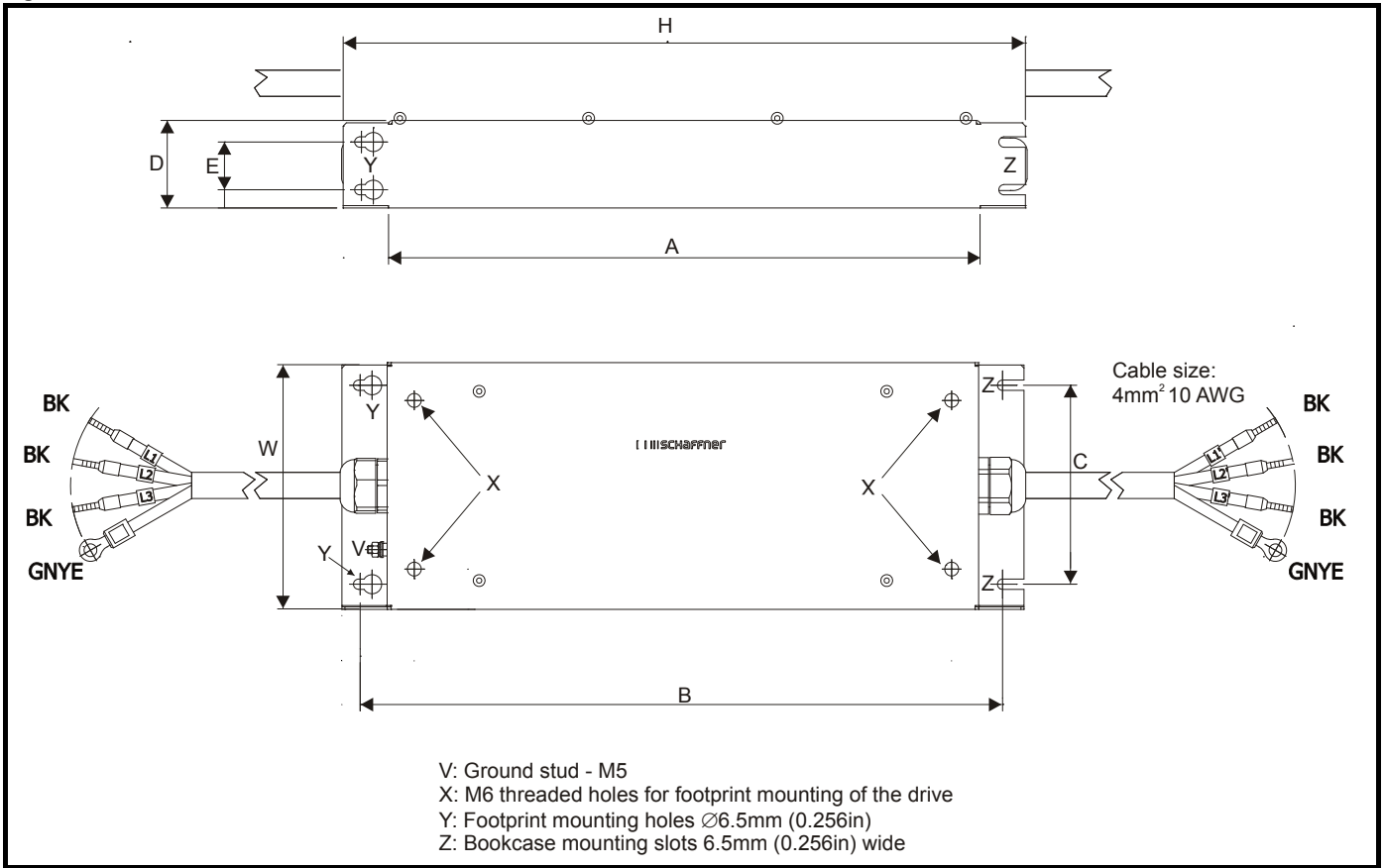


**Figure 3-56 Size 1 IP54 external EMC filter**



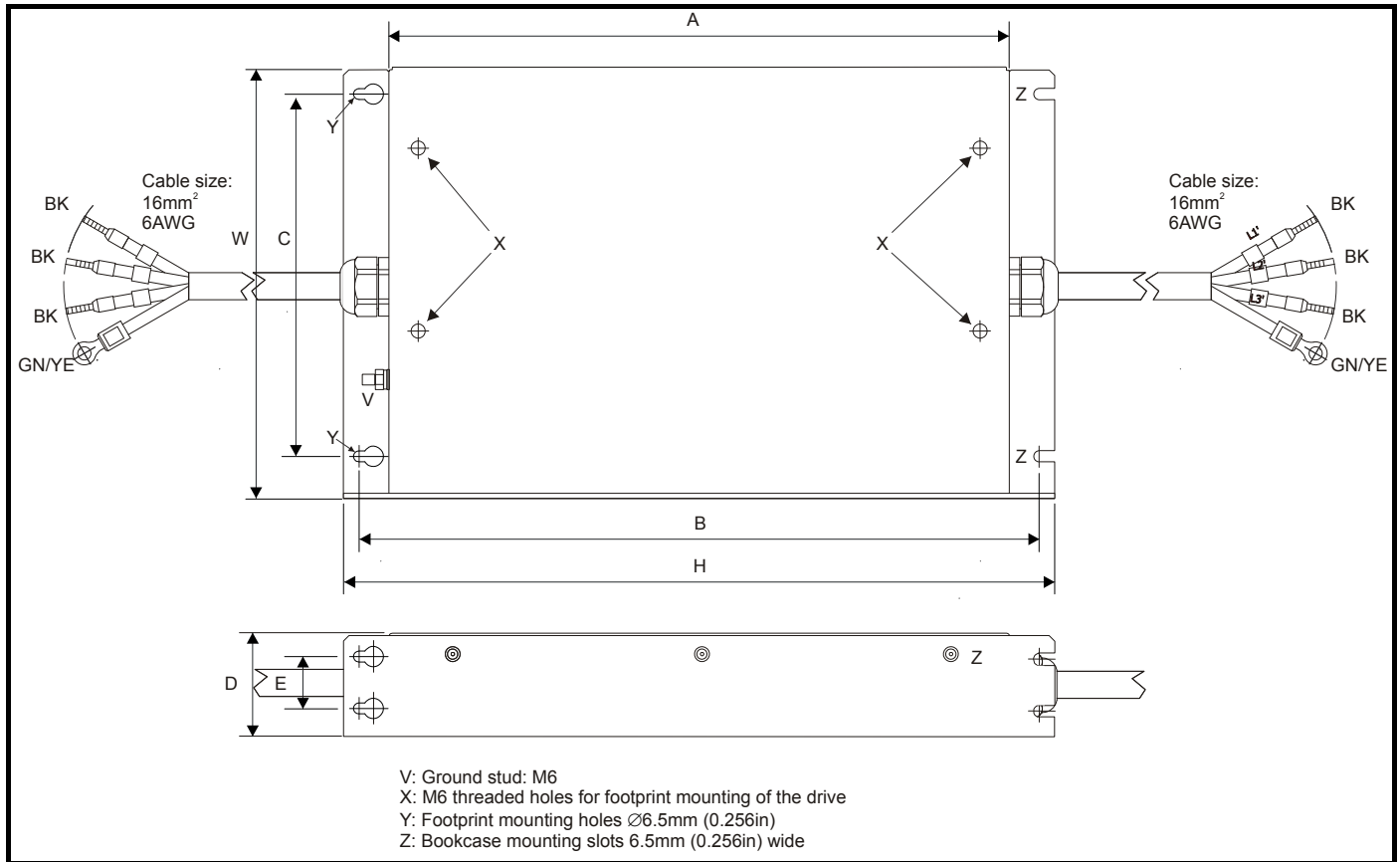
CT part no.	Manufacturer	A	B	C	D	H	W
4200-6125	Schaffner	390 mm (15.354 in)	423 mm (16.654 in)	74 mm (2.913 in)	45 mm (1.772 in)	440 mm (17.323 in)	100 mm (3.937 in)
4200-6124						450 mm (17.717 in)	

**Figure 3-57 Size 2 IP54 external EMC filter**



CT part no.	Manufacturer	A	B	C	D	E	H	W
4200-6218	Schaffner	371.5 mm (14.626 in)	403.5 mm (15.925 in)	125 mm (4.921 in)	55 mm (2.165 in)	30 mm (1.181 in)	428.5 mm (16.870 in)	156 mm (6.102 in)


**Figure 3-58 Size 3 IP54 external EMC filter**



CT part no.	Manufacturer	A	B	C	D	E	H	W
4200-6319	Schaffner	361 mm (14.213 in)	395 mm (15.591 in)	210 mm (8.268 in)	60 mm (2.362 in)	30 mm (1.181 in)	414 mm (16.299 in)	250 mm (9.843 in)
4200-6318								
4200-6320								

### 3.10 Electrical terminals

#### 3.10.1 Terminal sizes and torque settings



To avoid a fire hazard and maintain validity of the UL listing, adhere to the specified tightening torques for the power and ground terminals. Refer to the following tables.

**Table 3-10 Drive control and relay terminal data**

Model	Connection type	Torque setting
All	Plug-in terminal block	0.5 N m (0.4 lb ft)

**Table 3-11 Wall mounted drive power terminal data**

Model size	AC terminals		High current DC and braking		Ground terminal	
	Term.	Max torque	Term.	Max torque	Term.	Max torque
1	Plug-in terminal block	1.5 N m (1.1 lb ft)	Terminal block (M4 screws)	1.5 N m (1.1 lb ft)	M5 stud	4.0 N m (1.9 lb ft)
2	Plug-in terminal block	1.5 N m (1.1 lb ft)	Terminal block (M5 screws)	1.5 N m (1.1 lb ft)	M5 stud	4.0 N m (1.9 lb ft)
3	Terminal block (M6 screws)	2.5 N m (1.8 lb ft)	Terminal block (M6 screws)	2.5 N m (1.8 lb ft)	M6 bolt	4.0 N m (1.9 lb ft)
4	M10 stud	15 N m (11.1 lb ft)	M10 stud	15 N m (11.1 lb ft)	M10 stud	12.0 N m (8.8 lb ft)
5	M10 stud	15 N m (11.1 lb ft)	M10 stud	15 N m (11.1 lb ft)	M10 stud	4.0 N m (1.9 lb ft)
6	M10 stud	15 N m (11.1 lb ft)	M10 stud	15 N m (11.1 lb ft)	M10 stud	4.0 N m (1.9 lb ft)

**Table 3-12 Plug-in terminal block maximum cable sizes**

Model size	Terminal block description	Max cable size
All	11 way control connectors	1.5 mm <sup>2</sup> (16 AWG)
All	2 way relay connector	2.5 mm <sup>2</sup> (12 AWG)
1 and 2	6 way AC power connector	8 mm <sup>2</sup> (8 AWG)
4, 5 and 6	Low Voltage DC Enable connector	1.5 mm <sup>2</sup> (16 AWG)
6	Heatsink fan supply connector	1.5 mm <sup>2</sup> (16 AWG)
All	BAN connector	1.5 mm <sup>2</sup> (16 AWG)

**Table 3-13 Schaffner external EMC filter terminal data (size 1 to 6)**

CT part number	Power connections		Ground connections	
	Max cable size	Max torque	Ground stud size	Max torque
4200-6118	4mm <sup>2</sup>	0.8 N m (0.6 lb ft)	M5	3.5 N m (2.6 lb ft)
4200-6119	12AWG			
4200-6210	10mm <sup>2</sup> 8AWG	2 N m (1.5 lb ft)	M5	3.5 N m (2.6 lb ft)
4200-6305	16mm <sup>2</sup> 6AWG	2.2 N m (1.6 lb ft)	M6	3.9 N m (2.9 lb ft)
4200-6307				
4200-6309				
4200-6406	50mm <sup>2</sup> 0AWG	8 N m (5.9 lb ft)	M10	25 N m (18.4 lb ft)
4200-6408	25mm <sup>2</sup> 4AWG	2.3 N m (1.7 lb ft)	M6	3.9 N m (2.9 lb ft)
4200-6503	95mm <sup>2</sup> 4/0AWG	20 N m (14.7 lb ft)	M10	25 N m (18.4 lb ft)
4200-6504	50mm <sup>2</sup> 0AWG	8 N m (5.9 lb ft)	M10	25 N m (18.4 lb ft)
4200-6603			M10	25 N m (18.4 lb ft)
4200-6604				

**Table 3-14 Epcos external EMC Filter terminal data**

CT part number	Power connections		Ground connections	
	Max cable size	Max torque	Ground stud size	Max torque
4200-6120	4mm <sup>2</sup>	0.6 N m (0.4 lb ft)	M5	3.0 N m (2.2 lb ft)
4200-6121	12AWG			
4200-6211	10mm <sup>2</sup> 8AWG	1.35 N m (1.0 lb ft)	M5	3.0 N m (2.2 lb ft)
4200-6306	16mm <sup>2</sup> 6AWG	2.2 N m (1.6 lb ft)	M6	5.1 N m (3.8 lb ft)
4200-6308	10mm <sup>2</sup> 8AWG	1.35 N m (1.0 lb ft)		
4200-6405	50mm <sup>2</sup> 0AWG	6.8 N m (5.0 lb ft)	M10	10 N m (7.4 lb ft)
4200-6407				
4200-6501	95mm <sup>2</sup>	20 N m (14.7 lb ft)		
4200-6502	4/0AWG			
4200-6601				
4200-6602				

### 3.11 Routine maintenance

The standard drive should be installed in a cool, clean, well ventilated location. Contact of moisture and dust with the drive should be prevented.

The E12/E54 drive is protected from airborne dust and splashing water. The E12/E66 drive is protected from any dust ingress and deckwater.

Regular checks of the following should be carried out to ensure drive / installation reliability are maximized:

Environment	
Ambient temperature	Ensure the standard enclosure temperature remains at or below maximum specified.
Dust	Ensure the standard drive remains dust free – check that the heatsink and drive fan are not gathering dust. The lifetime of the fan is reduced in dusty environments.
Moisture	Ensure the drive enclosure shows no signs of condensation.
Enclosure	
Enclosure door filters	Ensure filters are not blocked and that air is free to flow.
E12/E54 drive cover filters (size 4 to 6 only)	Replace filters regularly, at least every 3 months. In some environments a filter change may be required more frequently.
E12/E54 drive cover	Ensure that all seals are correctly located and not damaged.
E12/E66 drive cover	Ensure that all seals are correctly located and not damaged.
Electrical	
Screw connections	Ensure all screw terminals remain tight.
Crimp terminals	Ensure all crimp terminals remains tight – check for any discoloration which could indicate overheating.
Cables	Check all cables for signs of damage.

### 3.11.1 E12/E54 filter change

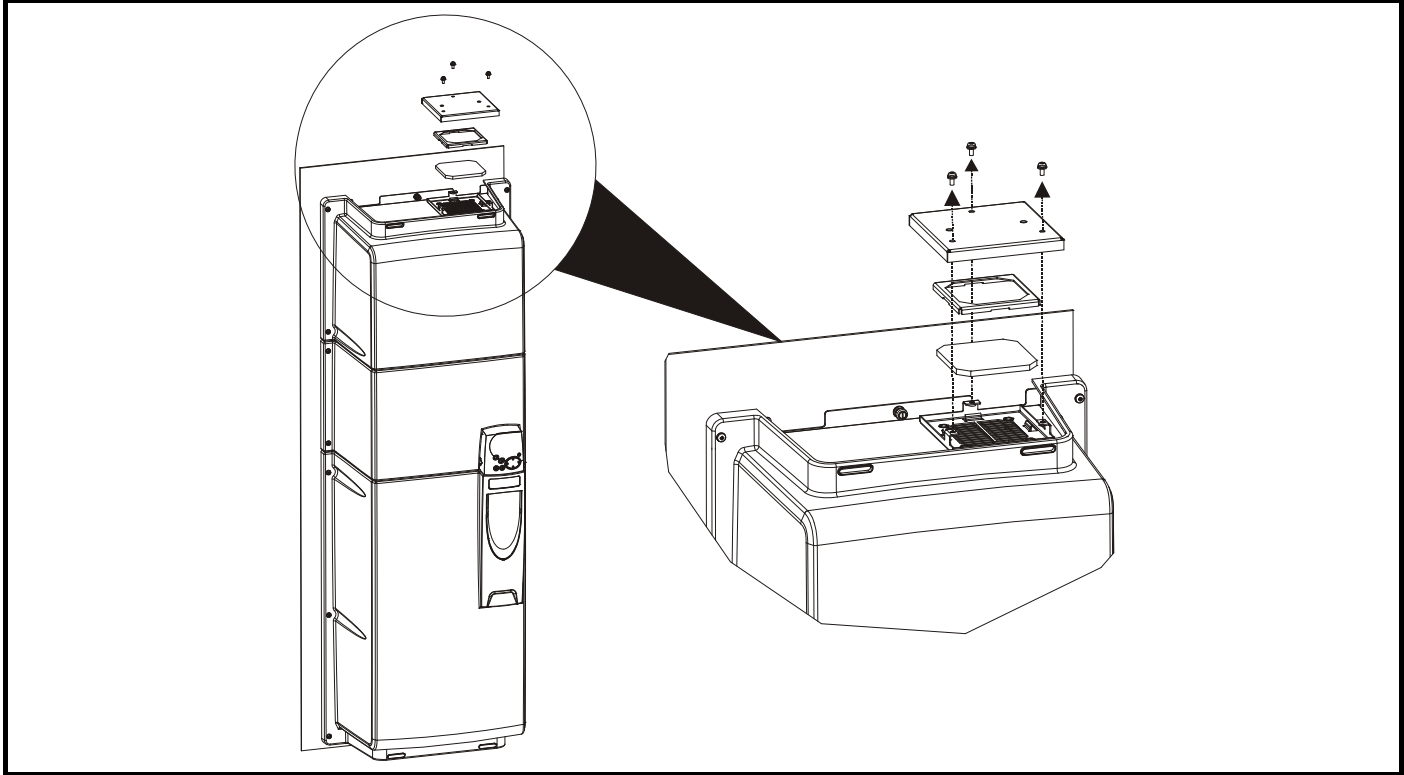
There are two types of filter for the E12/E54 drives:

Small: 5610-0000

Large: 5610-0001

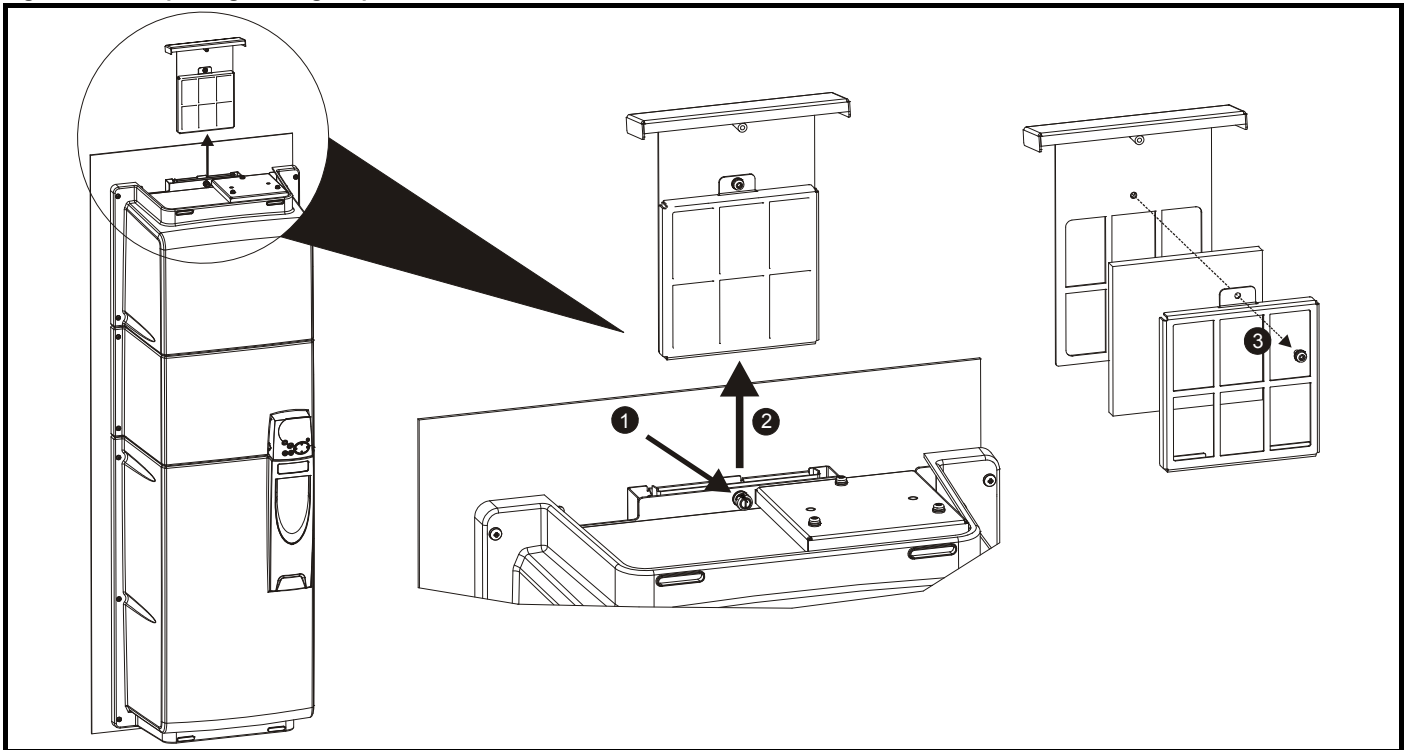
In order to replace the filters, follow the following instructions:

**Figure 3-59 Replacing the small filters on the size 4, 5 and 6 E12/E54 drive (top and bottom on size 4 and top only on size 5 and 6)**



Undo the three screws as shown in order to remove the covers and the filter.

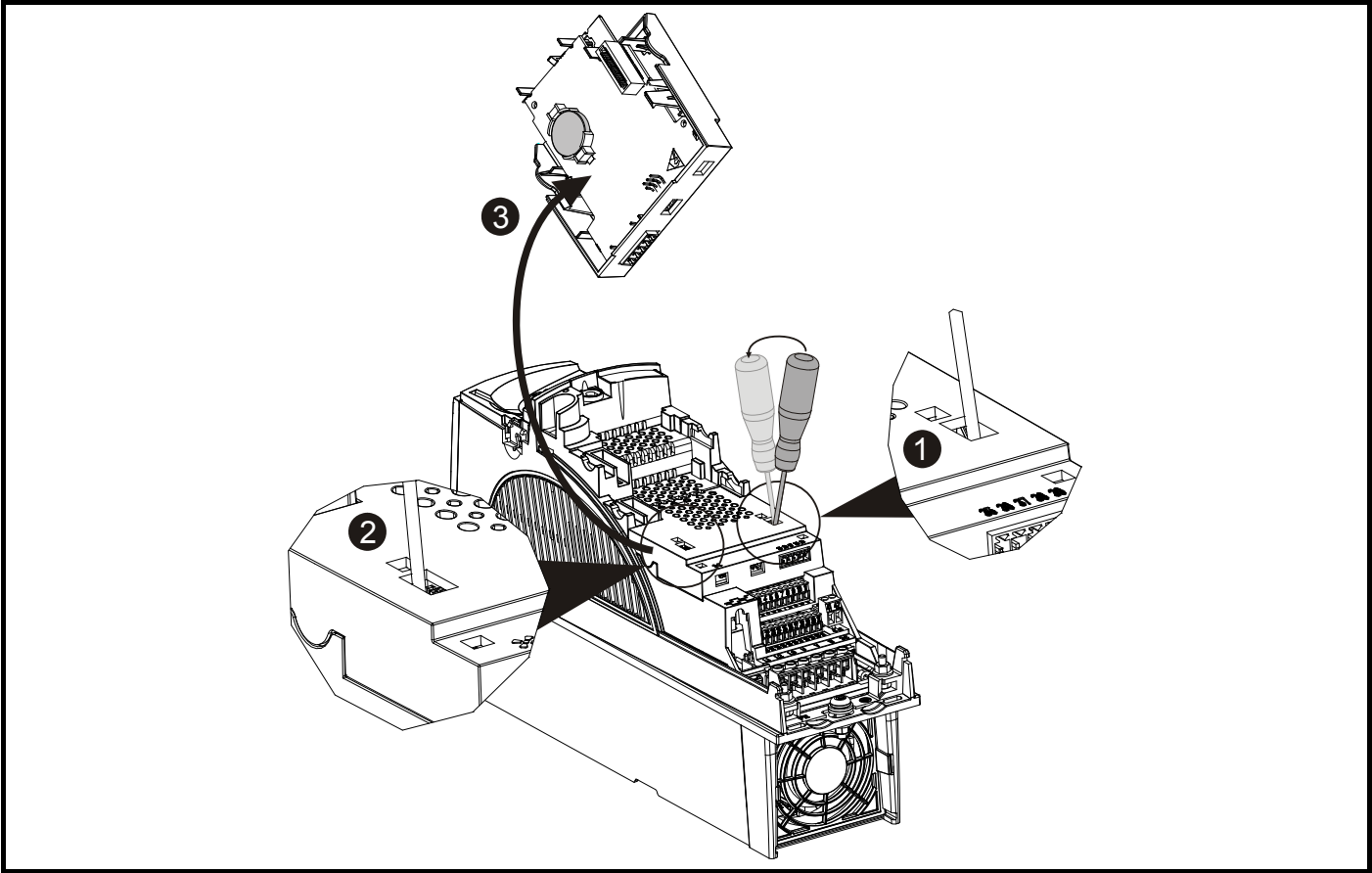
**Figure 3-60 Replacing the large top and bottom filters on the size 5 and 6 E12/E54 drive**



1. Unwind the screw to release the filter cartridge.
2. Slide cartridge out in the direction shown.
3. Undo screw fully in order to open cartridge and replace filter.

### 3.11.2 Real-time clock battery replacement

Figure 3-61 Replacing the real-time clock battery



1. Insert a flat head screw driver into the right slot as shown and carefully use as a lever to unclip battery cover
2. Repeat the above process for the left slot
3. Remove and rotate the cover to expose the location of the battery

Once the battery has been replaced, click the battery cover back into position.

**NOTE**

Low battery voltage is indicated when Pr 17.44 = 1.

**NOTE**

A battery replacement service is provided by Control Techniques if required.

# 4 Electrical installation

Many cable management features have been incorporated into the product and accessories, this chapter shows how to optimize them. Key features include:

- Internal EMC filter
- EMC compliance with shielding / grounding accessories
- Product rating, fusing and cabling information
- Brake resistor details (selection / ratings)

**Electric shock risk**  
 The voltages present in the following locations can cause severe electric shock and may be lethal:

- AC supply cables and connections
- DC and brake cables, and connections
- Output cables and connections
- Many internal parts of the drive, and external option units

Unless otherwise indicated, control terminals are single insulated and must not be touched.

**Isolation device**  
 The AC supply must be disconnected from the drive using an approved isolation device before any cover is removed from the drive or before any servicing work is performed.

**STOP function**  
 The STOP function does not remove dangerous voltages from the drive, the motor or any external option units.

**Stored charge**  
 The drive contains capacitors that remain charged to a potentially lethal voltage after the AC supply has been disconnected. If the drive has been energized, the AC supply must be isolated at least ten minutes before work may continue.

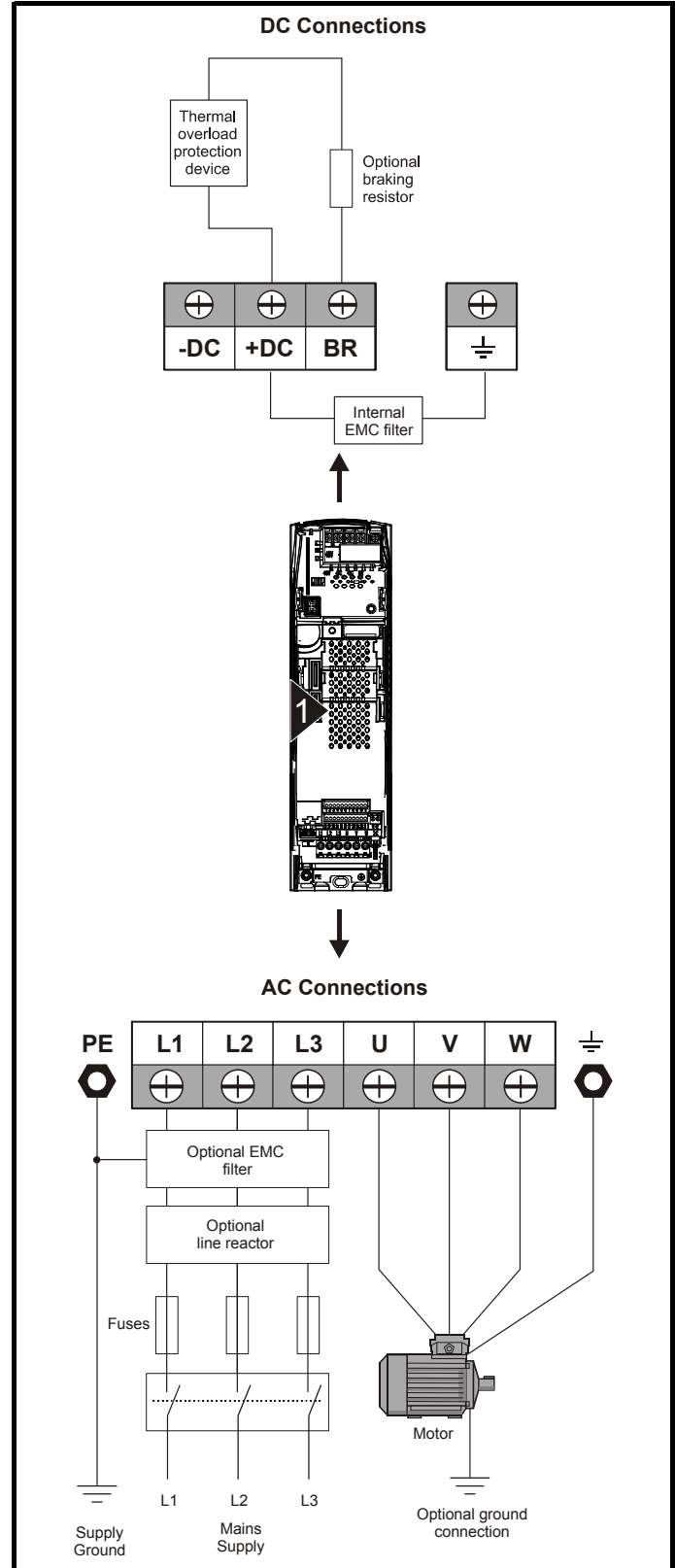
Normally, the capacitors are discharged by an internal resistor. Under certain, unusual fault conditions, it is possible that the capacitors may fail to discharge, or be prevented from being discharged by a voltage applied to the output terminals. If the drive has failed in a manner that causes the display to go blank immediately, it is possible the capacitors will not be discharged. In this case, consult Control Techniques or their authorized distributor.

**Fuses**  
 The AC supply to the drive must be installed with suitable protection against overload and short-circuits. Table 4-3, Table 4-4 and Table 4-5 show recommended fuse ratings. Failure to observe this requirement will cause risk of fire.

## 4.1 Power connections

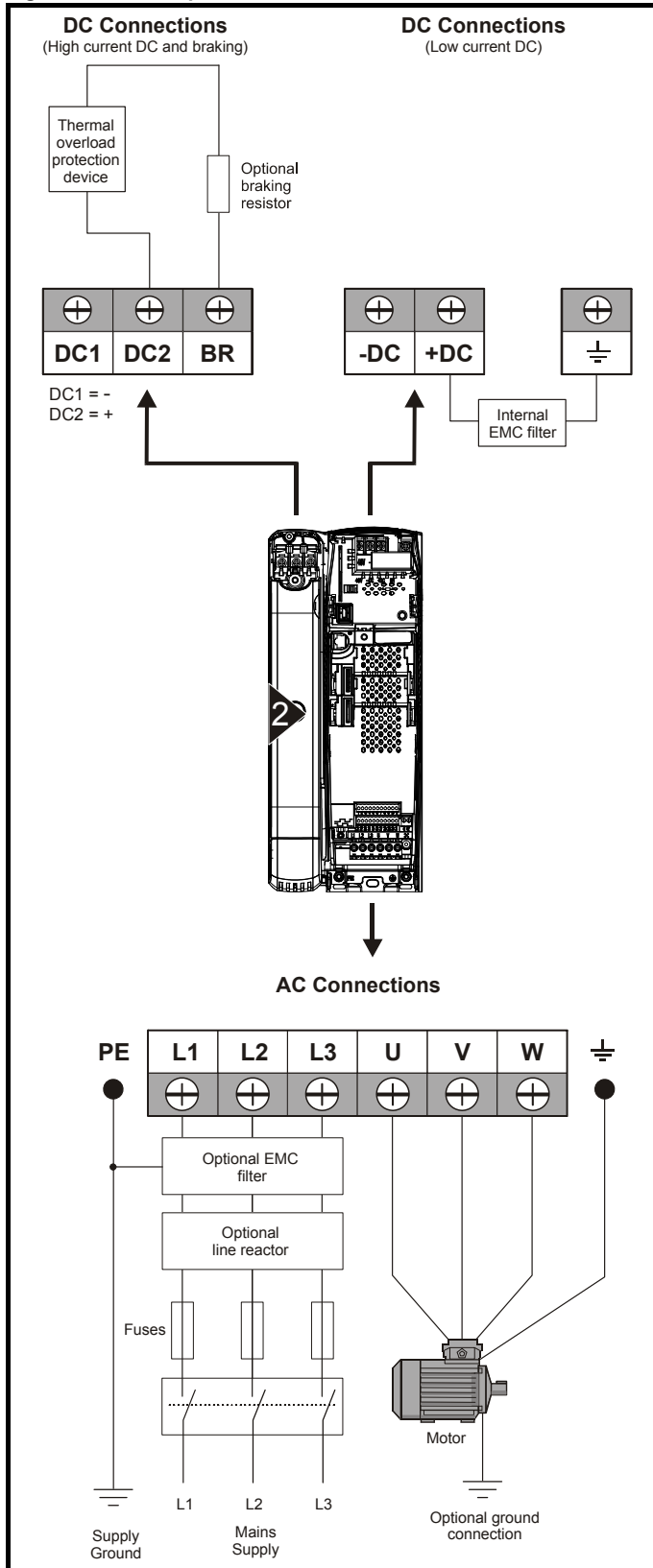
### 4.1.1 AC and DC connections

Figure 4-1 Size 1 power connections





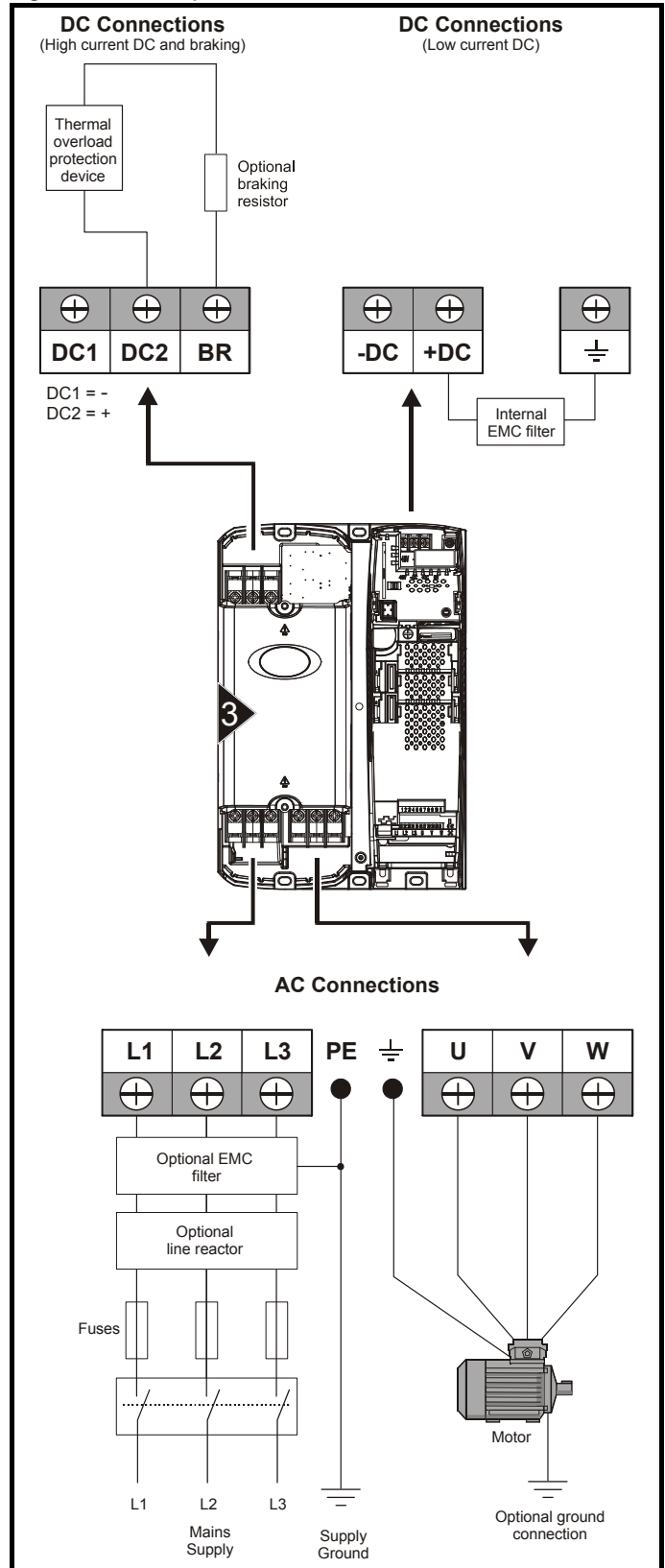
**Figure 4-2 Size 2 power connections**



If the heatsink mounted resistor is used (size 1 and 2 only), an overload protection device is not required. The resistor is designed to fail safely under fault conditions.

See Figure 4-5 for further information on ground connections.

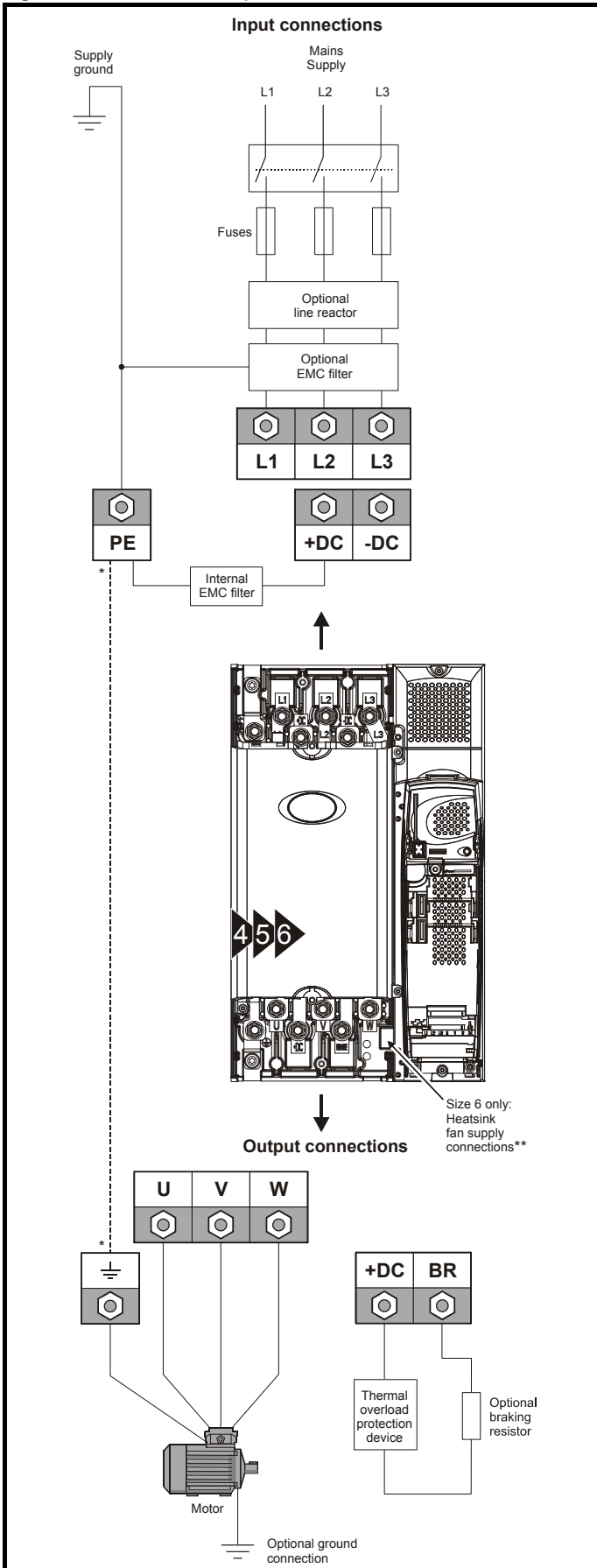
**Figure 4-3 Size 3 power connections**



On size 2 and 3, the high current DC connections must always be used when using a braking resistor, supplying the drive from DC (low voltage DC or high voltage DC) or using the drive in a parallel DC bus system. The low current DC connection is used to connect low voltage DC to the drive internal power supply and to connect the internal EMC filter.

See Figure 4-6 for further information on ground connections.


**Figure 4-4 Size 4, 5 and 6 power connections**



\* See section 4.1.2 *Ground connections* .

\*\* See section 4.5 *Fan connections* on page 69 for more information.

**4.1.2 Ground connections**

 **WARNING** Electrochemical corrosion of grounding terminals. Ensure that grounding terminals are protected against corrosion i.e. from condensation etc.

**Size 1**

On a size 1, the supply and motor ground connections are made using the studs located either side of the drive near the plug-in power connector. Refer to Figure 4-1 on page 64.

**Size 2**

On a size 2, the supply and motor ground connections are made using the grounding bridge that locates at the bottom of the drive. See Figure 4-5 for details.

**Size 3**

On a size 3, the supply and motor ground connections are made using an M6 nut and bolt that locates in the fork protruding from the heatsink between the AC supply and motor output terminals. See Figure 4-6 for details.

**Size 4, 5 and 6**

On a size 4, 5 and 6, the supply and motor ground connections are made using an M10 bolt at the top (supply) and bottom (motor) of the drive. See Figure 4-7 on page 67.

The supply ground and motor ground connections to the drive are connected internally by a copper conductor with a cross-sectional area given below:

Size 4: 19.2mm<sup>2</sup> (0.03in<sup>2</sup>, or slightly bigger than 6 AWG)

Size 5: 60mm<sup>2</sup> (0.09in<sup>2</sup>, or slightly bigger than 1 AWG)

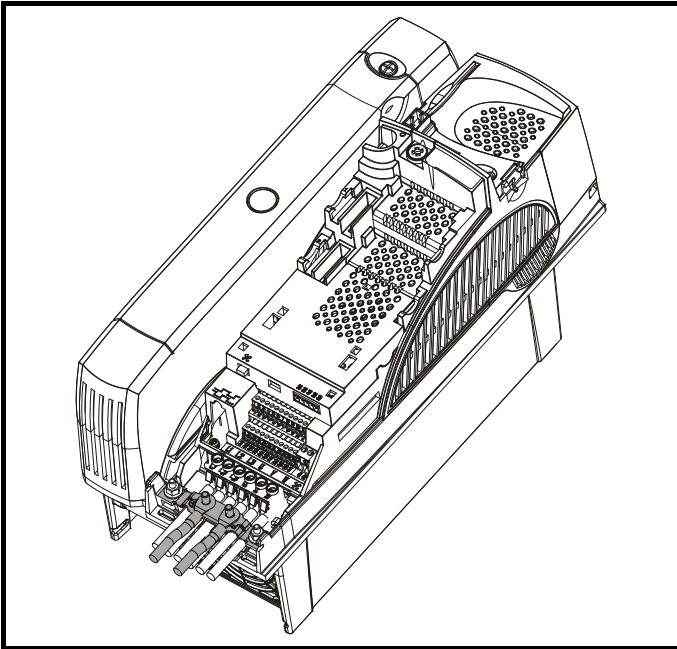
Size 6: 75mm<sup>2</sup> (0.12in<sup>2</sup>, or slightly bigger than 2/0 AWG)

This connection is sufficient to provide the ground (equipotential bonding) connection for the motor circuit under the following conditions:

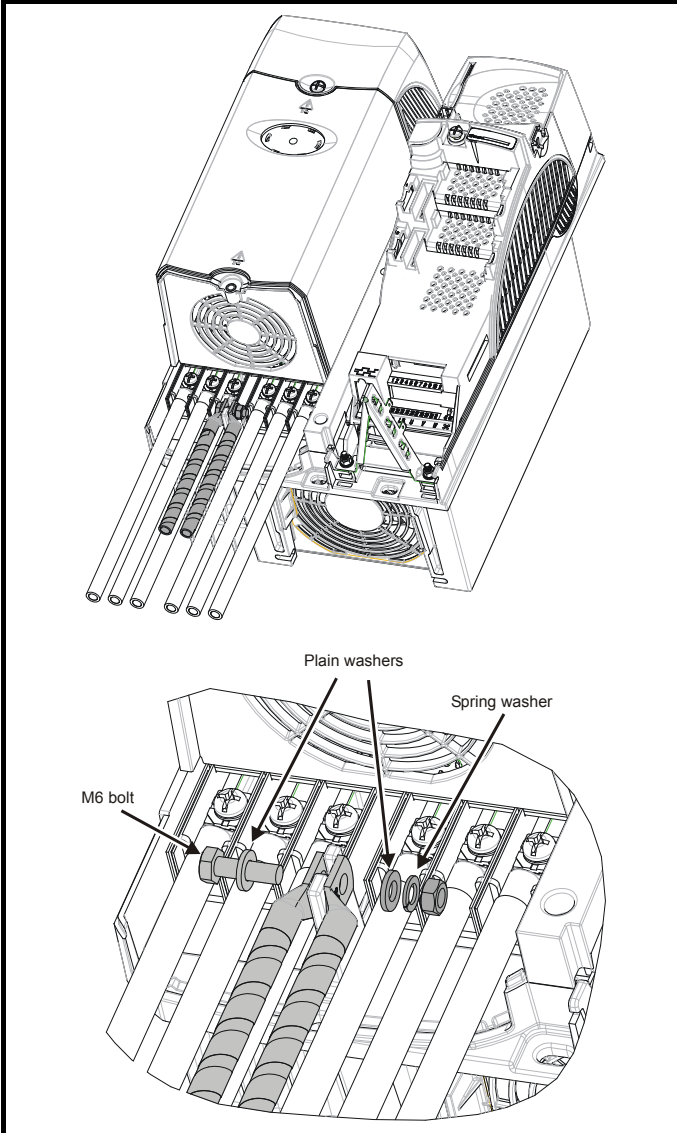
To standard	Conditions
IEC 60204-1 & EN 60204-1	Supply phase conductors having cross-sectional area not exceeding: Size 4: 38.4mm <sup>2</sup> Size 5: 120mm <sup>2</sup> Size 6: 150mm <sup>2</sup>
NFPA 79	Supply protection device rating not exceeding: Size 4: 200A Size 5: 600A Size 6: 1000A

If the necessary conditions are not met, an additional ground connection must be provided to link the motor circuit ground and the supply ground.

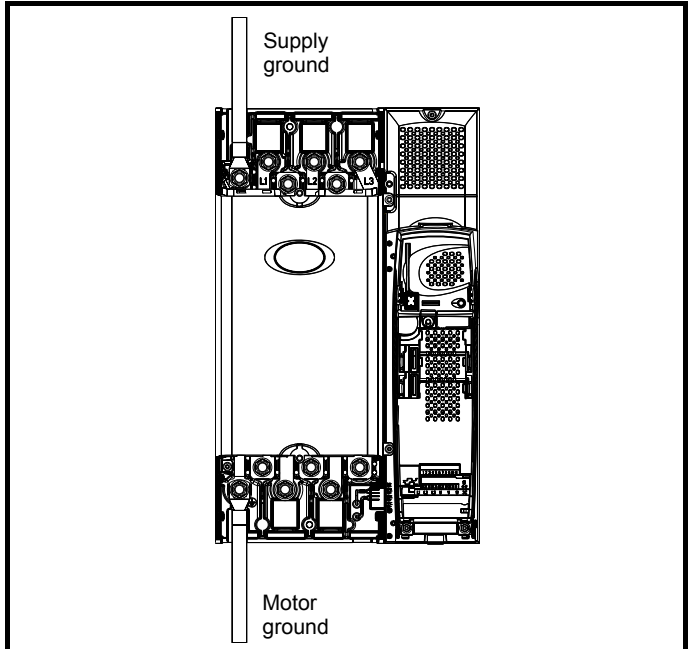
**Figure 4-5 Size 2 ground connections**



**Figure 4-6 Size 3 ground connections**



**Figure 4-7 Size 4, 5 and 6 ground connections**



**WARNING** The ground loop impedance must conform to the requirements of local safety regulations.

The drive must be grounded by a connection capable of carrying the prospective fault current until the protective device (fuse, etc.) disconnects the AC supply.

The ground connections must be inspected and tested at appropriate intervals.

## 4.2 AC supply requirements

Voltage:

BAX2xx	200V to 240V ±10%
BAX4xx	380V to 480V ±10%
BAX5xx	500V to 575V ±10%
BAX6xx	500V to 690V ±10%

Number of phases: 3

Maximum supply imbalance: 2% negative phase sequence (equivalent to 3% voltage imbalance between phases).

Frequency range: 48 to 65 Hz

For UL compliance only, the maximum supply symmetrical fault current must be limited to 100kA

### 4.2.1 Supply types

All drives are suitable for use on any supply type i.e TN-S, TN-C-S, TT and IT.

- Supplies with voltage up to 600V may have grounding at any potential, i.e. neutral, centre or corner ("grounded delta")
- Supplies with voltage above 600V may not have corner grounding

Drives are suitable for use on supplies of installation category III and lower, according to IEC60664-1. This means they may be connected permanently to the supply at its origin in a building, but for outdoor installation additional over-voltage suppression (transient voltage surge suppression) must be provided to reduce category IV to category III.



**Operation with IT (ungrounded) supplies:**  
 Special attention is required when using internal or external EMC filters with ungrounded supplies, because in the event of a ground (earth) fault in the motor circuit the drive may not trip and the filter could be over-stressed. In this case, either the filter must not be used (removed) or additional independent motor ground fault protection must be provided. Refer to Table 4-1.  
 For instructions on removal, refer to Figure 4-20 *Removal of internal EMC filter (size 1 to 3)* and Figure 4-21 *Removal of internal EMC filter (sizes 4 to 6)* on page 79.  
 For details of ground fault protection contact the supplier of the drive.

A ground fault in the supply has no effect in any case. If the motor must continue to run with a ground fault in its own circuit then an input isolating transformer must be provided and if an EMC filter is required it must be located in the primary circuit.

Unusual hazards can occur on ungrounded supplies with more than one source, for example on ships. Contact the supplier of the drive for more information.

**Table 4-1 Behavior of the drive in the event of a motor circuit ground (earth) fault with an IT supply**

Drive size	Internal filter only	External filter (with internal)
1 and 2	Drive trips on fault	Drive trips on fault
3	May not trip – precautions required	Drive trips on fault
4 to 6	May not trip – precautions required	May not trip – precautions required

#### 4.2.2 Supplies requiring line reactors

Input line reactors reduce the risk of damage to the drive resulting from poor phase balance or severe disturbances on the supply network.

Where line reactors are to be used, reactance values of approximately 2% are recommended. Higher values may be used if necessary, but may result in a loss of drive output (reduced torque at high speed) because of the voltage drop.

For all drive ratings, 2% line reactors permit drives to be used with a supply unbalance of up to 3.5% negative phase sequence (equivalent to 5% voltage imbalance between phases).

Severe disturbances may be caused by the following factors, for example:

- Power factor correction equipment connected close to the drive.
- Large DC drives having no or inadequate line reactors connected to the supply.
- Across the line (DOL) started motor(s) connected to the supply such that when any of these motors are started, the voltage dip exceeds 20%.

Such disturbances may cause excessive peak currents to flow in the input power circuit of the drive. This may cause nuisance tripping, or in extreme cases, failure of the drive.

Drives of low power rating may also be susceptible to disturbance when connected to supplies with a high rated capacity.

Line reactors are particularly recommended for use with the following drive models when one of the above factors exists, or when the supply capacity exceeds 175kVA:

BA1201 BA1202 BA1203 BA1204  
 BA1401 BA1402 BA1403 BA1404

Model sizes BA1405 to BA4606 have an internal DC choke and BA5201 to BA6602 have internal AC line chokes, so they do not require AC line reactors except for cases of excessive phase unbalance or extreme supply conditions.

When required, each drive must have its own reactor(s). Three individual reactors or a single three-phase reactor should be used.

#### Reactor current ratings

The current rating of the line reactors should be as follows:

Continuous current rating:

Not less than the continuous input current rating of the drive

Repetitive peak current rating:

Not less than twice the continuous input current rating of the drive

#### 4.2.3 Input inductor calculation

To calculate the inductance required (at Y%), use the following equation:

$$L = \frac{Y}{100} \times \frac{V}{\sqrt{3}} \times \frac{1}{2\pi f I}$$

Where:

I = drive rated input current (A)

L = inductance (H)

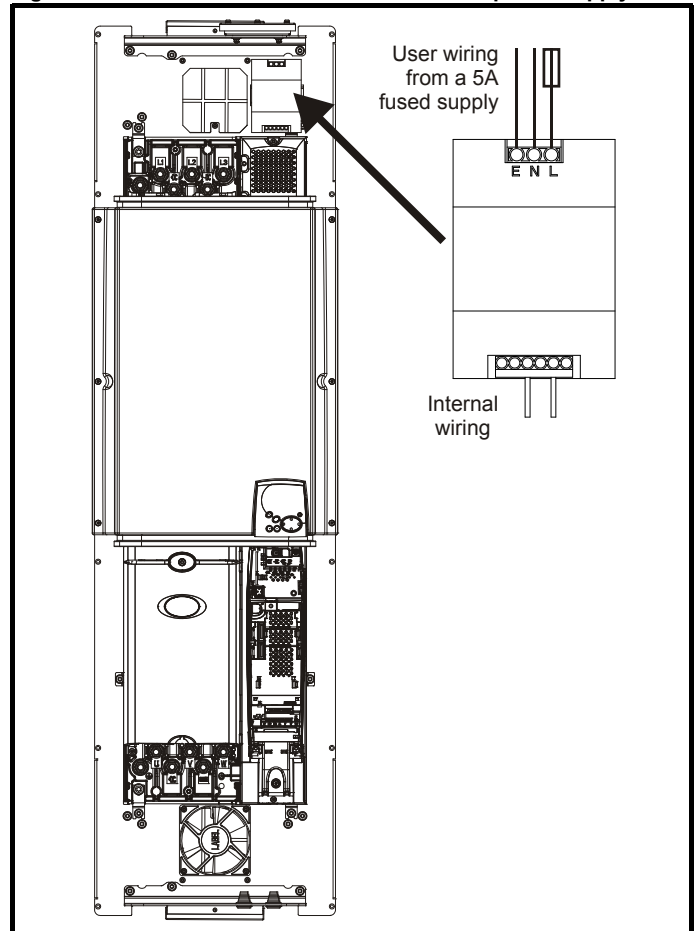
f = supply frequency (Hz)

V = voltage between lines

#### 4.3 Auxiliary power supply

The size 6 E12/54 drive requires an auxiliary 110V or 230V power supply to feed the internal 24V power supply. The 24V power supply is used to supply the heatsink fans on the power module.

**Figure 4-8 Location of size 6 E12/54 drive 24V power supply**



CT part number: 8510-0000

Current rating: 10A

Input voltage: 85 to 123 / 176 to 264Vac auto switching

Cable size: 0.5mm<sup>2</sup> (20AWG)

Supply fuse: 5A slow-blow

## 4.4 Supplying the drive with DC / DC bus paralleling

The connecting of the DC bus between several drives is typically used to:

1. Return energy from a drive which is being overhauled by the load to a second motoring drive.
2. Allow the use of one braking resistor to dissipate regenerative energy from several drives.

There are limitations to the combinations of drives which can be used in this configuration.

For application data, contact the supplier of the drive.

## 4.5 Fan connections

### 4.5.1 Heatsink fan supply

The heatsink fan on size 1 to 5 is supplied internally by the drive. The heatsink fan on size 6 requires an external 24Vdc supply. The connections for the heatsink fan supply must be made to the upper terminal connector near to the W phase output on the drive. Figure 4-9 shows the position of the heatsink fan supply connections.

Figure 4-9 Location of the size 6 heatsink fan supply connections

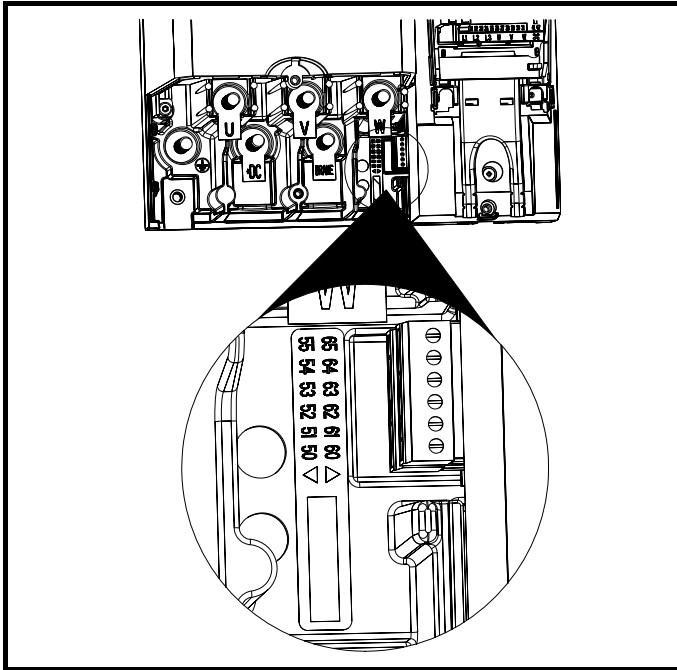
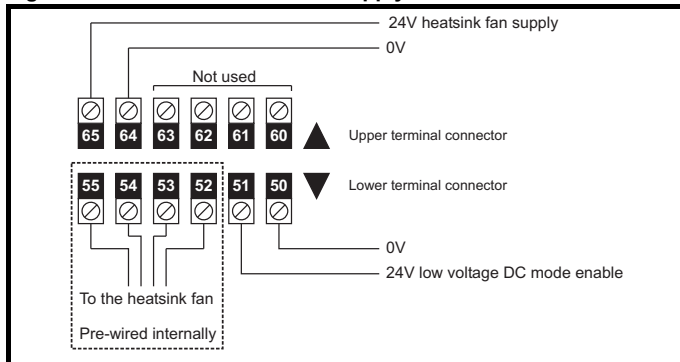


Figure 4-10 Size 6 heatsink fan supply connections



The heatsink fan supply requirements are as follows:

Nominal voltage:	24Vdc
Minimum voltage:	23.5Vdc
Maximum voltage:	27Vdc
Current drawn:	3.3A
Recommended power supply:	24V, 100W, 4.5A
Recommended fuse:	4A fast blow ( $I^2t$ less than $20A^2s$ )

## 4.6 Control 24Vdc supply

The 24Vdc input has three main functions.

- It can be used to supplement the drive's own internal 24V when multiple SM-I/O Plus modules are being used and the current drawn by these modules is greater than the drive can supply. (If too much current is drawn from the drive, the drive will initiate a 'PS.24V' trip)
- It can be used as a back-up power supply to keep the control circuits of the drive powered up when the line power supply is removed. This allows any fieldbus modules or serial communications to continue to operate.
- It can be used to commission the drive when the line power supply is not available, as the display operates correctly. However, the drive will be in the UV trip state unless either line power supply or low voltage DC operation is enabled, therefore diagnostics may not be possible. (Power down save parameters are not saved when using the 24V back-up power supply input.)

The working voltage range of the 24V power supply is as follows:

Maximum continuous operating voltage:	30.0 V
Minimum continuous operating voltage:	19.2 V
Nominal operating voltage:	24.0 V
Minimum start up voltage:	21.6 V
Maximum power supply requirement at 24V:	60 W
Recommended fuse:	3 A, 50 Vdc

Minimum and maximum voltage values include ripple and noise. Ripple and noise values must not exceed 5%.

## 4.7 Ratings

The input current is affected by the supply voltage and impedance.

### Typical input current

The values of typical input current are given to aid calculations for power flow and power loss.

The values of typical input current are stated for a balanced supply.

### Maximum continuous input current

The values of maximum continuous input current are given to aid the selection of cables and fuses. These values are stated for the worst case condition with the unusual combination of stiff supply with bad balance. The value stated for the maximum continuous input current would only be seen in one of the input phases. The current in the other two phases would be significantly lower.

The values of maximum input current are stated for a supply with a 2% negative phase-sequence imbalance and rated at the supply fault current given in Table 4-2.

Table 4-2 Supply fault current used to calculate maximum input currents

Model	Symmetrical fault level (kA)
All	100

**Table 4-3 Size 1 to 3 input current, fuse and cable size ratings (European)**

Model	Typical input current A	Maximum continuous input current A	Fuse rating IEC gG A	Cable size EN60204	
				Input mm <sup>2</sup>	Output mm <sup>2</sup>
BA1201	7.1	9.5	10	1.5	1.0
BA1202	9.2	11.3	12	1.5	1.0
BA1203	12.5	16.4	20	4.0	1.0
BA1204	15.4	19.1	20	4.0	1.5
BA2201	13.4	18.1	20	4.0	2.5
BA2202	18.2	22.6	25	4.0	4.0
BA2203	24.2	28.3	32	6.0	6.0
BA3201	35.4	43.1	50	16	16
BA3202	46.8	54.3	63	25	25
BA1401	4.1	4.8	8	1.0	1.0
BA1402	5.1	5.8	8	1.0	1.0
BA1403	6.8	7.4	8	1.0	1.0
BA1404	9.3	10.6	12	1.5	1.0
BA1405	10	11	12	1.5	1.0
BA1406	12.6	13.4	16	2.5	1.5
BA2401	15.7	17	20	4.0	2.5
BA2402	20.2	21.4	25	4.0	4.0
BA2403	26.6	27.6	32	6.0	6.0
BA3401	34.2	36.2	40	10	10
BA3402	40.2	42.7	50	16	16
BA3403	51.3	53.5	63	25	25
BA3501	5.0	6.7	8	1.0	1.0
BA3502	6.0	8.2	10	1.0	1.0
BA3503	7.8	11.1	12	1.5	1.0
BA3504	9.9	14.4	16	2.5	1.5
BA3505	13.8	18.1	20	4.0	2.5
BA3506	18.2	22.2	25	4.0	4.0
BA3507	22.2	26.0	32	6.0	6.0

**Table 4-4 Size 1 to 3 input current, fuse and cable size ratings (USA)**

Model	Typical input current A	Maximum continuous input current A	Fuse rating Class CC or J <30A Class J >30A A	Cable size UL508C	
				Input AWG	Output AWG
BA1201	7.1	9.5	10	14	18
BA1202	9.2	11.3	15	14	16
BA1203	12.5	16.4	20	12	14
BA1204	15.4	19.1	20	12	14
BA2201	13.4	18.1	20	12	14
BA2202	18.2	22.6	25	10	10
BA2203	24.2	28.3	30	8	8
BA3201	35.4	43.1	45	6	6
BA3202	46.8	54.3	60	4	4
BA1401	4.1	4.8	8	16	22
BA1402	5.1	5.8	8	16	20
BA1403	6.8	7.4	10	16	18
BA1404	9.3	10.6	15	14	16
BA1405	10	11	15	14	14
BA1406	12.6	13.4	15	14	14
BA2401	15.7	17	20	12	14
BA2402	20.2	21.4	25	10	10
BA2403	26.6	27.6	30	8	8
BA3401	34.2	36.2	40	6	6
BA3402	40.2	42.7	45	6	6
BA3403	51.3	53.5	60	4	4
BA3501	5.0	6.7	10	16	18
BA3502	6.0	8.2	10	16	16
BA3503	7.8	11.1	15	14	14
BA3504	9.9	14.4	15	14	14
BA3505	13.8	18.1	20	12	14
BA3506	18.2	22.2	25	10	10
BA3507	22.2	26.0	30	8	8

**Table 4-5 Size 4 and larger input current, fuse and cable size ratings**

Model	Typical input current	Maximum input current	Fuse option 1		Fuse option 2 semiconductor fuse in series with HRC fuse or breaker		Cable size			
			IEC class gR	North America: Ferraz HSJ	HRC IEC class gG UL class J	Semi-conductor IEC class aR	EN60204		UL508C	
	A	A	A	A	A	A	Input mm <sup>2</sup>	Output mm <sup>2</sup>	Input AWG	Output AWG
BA4201	62.1	68.9	100	90	90	160	25	25	3	3
BA4202	72.1	78.1	100	100	100	160	35	35	3	3
BA4203	94.5	99.9	125	125	125	200	70	70	1	1
BA5201	116	142	200	175	160	200	95	95	2/0	2/0
BA5202	137	165	250	225	200	250	120	120	4/0	4/0
BA4401	61.2	62.3	80	80	80	160	25	25	3	3
BA4402	76.3	79.6	110	110	100	200	35	35	2	2
BA4403	94.1	97.2	125	125	125	200	70	70	1	1
BA5401	126	131	200	175	160	200	95	95	2/0	2/0
BA5402	152	156	250	225	200	250	120	120	4/0	4/0
BA6401	224	241	315	300	250	315	2 x 70	2 x 70	2 x 2/0	2 x 2/0
BA6402	247	266	315	300	300	350	2 x 95	2 x 95	2 x 4/0	2 x 4/0
BA4601	23	26.5	63	60	32	125	4	4	10	10
BA4602	26.1	28.8	63	60	40	125	6	6	8	8
BA4603	32.9	35.1	63	60	50	125	10	10	8	8
BA4604	39	41	63	60	50	125	16	16	6	6
BA4605	46.2	47.9	63	60	63	125	16	16	6	6
BA4606	55.2	56.9	80	60	63	125	25	25	4	4
BA5601	75.5	82.6	125	100	90	160	35	35	2	2
BA5602	89.1	94.8	125	100	125	160	50	50	1	1
BA6601	128	138	200	200	200	200	2 x 50	2 x 50	2 x 1	2 x 1
BA6602	144	156	200	200	200	200	2 x 50	2 x 50	2 x 1	2 x 1

**Installation class (ref: IEC60364-5-52:2001)**

B1 - Separate cables in conduit.

B2 - Multicore cable in conduit

C - Multicore cable in free air.

**NOTE**

Cable sizes are from IEC60364-5-52:2001 table A.52.C with correction factor for 40°C ambient of 0.87 (from table A52.14) for cable installation method B2 (multicore cable in conduit).

Only PVC insulated cables should be used.

Cable size may be reduced if a different installation method is used, or if the ambient temperature is lower.


The recommended cable sizes above are only a guide. The mounting and grouping of cables affects their current-carrying capacity, in some cases smaller cables may be acceptable but in other cases a larger cable is required to avoid excessive temperature or voltage drop. Refer to local wiring regulations for the correct size of cables.

**NOTE**

The recommended output cable sizes assume that the motor maximum current matches that of the drive. Where a motor of reduced rating is used the cable rating may be chosen to match that of the motor. To ensure that the motor and cable are protected against overload, the drive must be programmed with the correct motor rated current.

**NOTE**

UL listing is dependent on the use of the correct type of UL-listed fuse, and applies when symmetrical short-circuit current does not exceed 100kA. See Chapter 14 *UL listing information* on page 258 for sizing information.



**Fuses**  
The AC supply to the drive must be installed with suitable protection against overload and short-circuits. Table 4-3, Table 4-4 and Table 4-5 show recommended fuse ratings. Failure to observe this requirement will cause risk of fire.

A fuse or other protection must be included in all live connections to the AC supply.

An MCB (miniature circuit breaker) or MCCB (moulded-case circuit-breaker) with type C may be used in place of fuses on sizes 1 to 3 under the following conditions:

- The fault-clearing capacity must be sufficient for the installation
- For frame sizes 2 and 3, the drive must be mounted in an enclosure which meets the requirements for a fire enclosure

See Chapter 14 *UL listing information* on page 258 for UL listing requirements.

**Fuse types**

The fuse voltage rating must be suitable for the drive supply voltage.

**Ground connections**

The drive must be connected to the system ground of the AC supply. The ground wiring must conform to local regulations and codes of practice.


**4.7.1 Main AC supply contactor**

The recommended AC supply contactor type for sizes 1 to 6 is AC1.

## 4.8 Output circuit and motor protection

The output circuit has fast-acting electronic short-circuit protection which limits the fault current to typically no more than five times the rated output current, and interrupts the current in approximately 20µs. No additional short-circuit protection devices are required.

The drive provides overload protection for the motor and its cable. For this to be effective, Pr **0.46 Motor rated current** must be set to suit the motor.



Pr 0.46 *Motor rated current* must be set correctly to avoid a risk of fire in the event of motor overload.

**WARNING**

There is also provision for the use of a motor thermistor to prevent overheating of the motor, e.g. due to loss of cooling.

### 4.8.1 Cable types and lengths

Since capacitance in the motor cable causes loading on the output of the drive, ensure the cable length does not exceed the values given in Table 4-6, Table 4-7 and Table 4-8.

Use 105°C (221°F) (UL 60/75°C temp rise) PVC-insulated cable with copper conductors having a suitable voltage rating, for the following power connections:

- AC supply to external EMC filter (when used)
- AC supply (or external EMC filter) to drive
- Drive to motor
- Drive to braking resistor

**Table 4-6 Maximum motor cable lengths (200V drives)**

200V Nominal AC supply voltage						
Model	Maximum permissible motor cable length for each of the following frequencies					
	3kHz	4kHz	6kHz	8kHz	12kHz	16kHz
BA1201	65m (210ft)					
BA1202	100m (330ft)			75m (245ft)	50m (165ft)	37m (120ft)
BA1203	130m (425ft)					
BA1204	200m (660ft)	150m (490ft)	100m (330ft)	75m (245ft)	50m (165ft)	37m (120ft)
BA2201						
BA2202						
BA2203						
BA3201	250m (820ft)	185m (607ft)	125m (410ft)	90m (295ft)		
BA3202						
BA4201	250m (820ft)	185m (607ft)	125m (410ft)	90m (295ft)		
BA4202						
BA4203						
BA5201	250m (820ft)	185m (607ft)	125m (410ft)	90m (295ft)		
BA5202						

**Table 4-7 Maximum motor cable lengths (400V drives)**

400V Nominal AC supply voltage						
Model	Maximum permissible motor cable length for each of the following frequencies					
	3kHz	4kHz	6kHz	8kHz	12kHz	16kHz
BA1401	65m (210ft)					
BA1402	100m (330ft)			75m (245ft)	50m (165ft)	37m (120ft)
BA1403	130m (425ft)					
BA1404	200m (660ft)	150m (490ft)	100m (330ft)	75m (245ft)	50m (165ft)	37m (120ft)
BA1405						
BA1406						
BA2401						
BA2402	250m (820ft)	185m (607ft)	125m (410ft)	90m (295ft)		
BA2403						
BA3401						
BA3402	250m (820ft)	185m (607ft)	125m (410ft)	90m (295ft)		
BA3403						
BA4401	250m (820ft)	185m (607ft)	125m (410ft)	90m (295ft)		
BA4402						
BA4403						
BA5401	250m (820ft)	185m (607ft)	125m (410ft)	90m (295ft)		
BA5402						
BA6401	250m (820ft)	185m (607ft)	125m (410ft)	90m (295ft)		
BA6402						

**Table 4-8 Maximum motor cable lengths (575V drives)**

575V Nominal AC supply voltage						
Model	Maximum permissible motor cable length for each of the following frequencies					
	3kHz	4kHz	6kHz	8kHz	12kHz	16kHz
BA3501	200m (660ft)	150m (490ft)	100m (330ft)	75m (245ft)		
BA3502						
BA3503						
BA3504						
BA3505						
BA3506						
BA3507						

**Table 4-9 Maximum motor cable lengths (690V drives)**

690V Nominal AC supply voltage						
Model	Maximum permissible motor cable length for each of the following frequencies					
	3kHz	4kHz	6kHz	8kHz	12kHz	16kHz
BA4601	250m (820ft)	185m (607ft)	125m (410ft)	90m (295ft)		
BA4602						
BA4603						
BA4604						
BA4605						
BA4606						
BA5601	250m (820ft)	185m (607ft)	125m (410ft)	90m (295ft)		
BA5602						
BA6601	250m (820ft)	185m (607ft)	125m (410ft)	90m (295ft)		
BA6602						

- Cable lengths in excess of the specified values may be used only when special techniques are adopted; refer to the supplier of the drive.
- The default switching frequency is 3kHz.

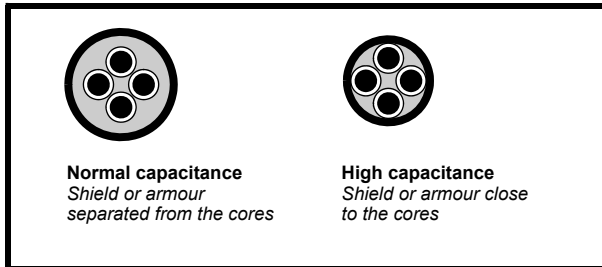


### High-capacitance cables

The maximum cable length is reduced from that shown in Table 4-6, Table 4-7, Table 4-8 and Table 4-9 if high capacitance motor cables are used.

Most cables have an insulating jacket between the cores and the armor or shield; these cables have a low capacitance and are recommended. Cables that do not have an insulating jacket tend to have high capacitance; if a cable of this type is used, the maximum cable length is half that quoted in the tables. (Figure 4-11 shows how to identify the two types.)

**Figure 4-11 Cable construction influencing the capacitance**



The cable used for Table 4-6, Table 4-7, Table 4-8 and Table 4-9 is shielded and contains four cores. Typical capacitance for this type of cable is 130pF/m (i.e. from one core to all others and the shield connected together).

### 4.8.2 Motor winding voltage

The PWM output voltage can adversely affect the inter-turn insulation in the motor. This is because of the high rate of change of voltage, in conjunction with the impedance of the motor cable and the distributed nature of the motor winding.

For normal operation with AC supplies up to 500Vac and a standard motor with a good quality insulation system, there is no need for any special precautions. In case of doubt the motor supplier should be consulted.

Special precautions are recommended under the following conditions, but only if the motor cable length exceeds 10m:

- AC supply voltage exceeds 500V
- DC supply voltage exceeds 670V
- Operation of 400V drive with continuous or very frequent sustained braking
- Multiple motors connected to a single drive

For multiple motors, the precautions given in section 4.8.3 *Multiple motors* should be followed.

For the other cases listed, it is recommended that an inverter-rated motor be used. This has a reinforced insulation system intended by the manufacturer for repetitive fast-rising pulsed voltage operation.

Users of 575V NEMA rated motors should note that the specification for inverter-rated motors given in NEMA MG1 section 31 is sufficient for motoring operation but not where the motor spends significant periods braking. In that case an insulation peak voltage rating of 2.2kV is recommended.

If it is not practical to use an inverter-rated motor, an output choke (inductor) should be used. The recommended type is a simple iron-cored component with a reactance of about 2%. The exact value is not critical. This operates in conjunction with the capacitance of the motor cable to increase the rise-time of the motor terminal voltage and prevent excessive electrical stress.

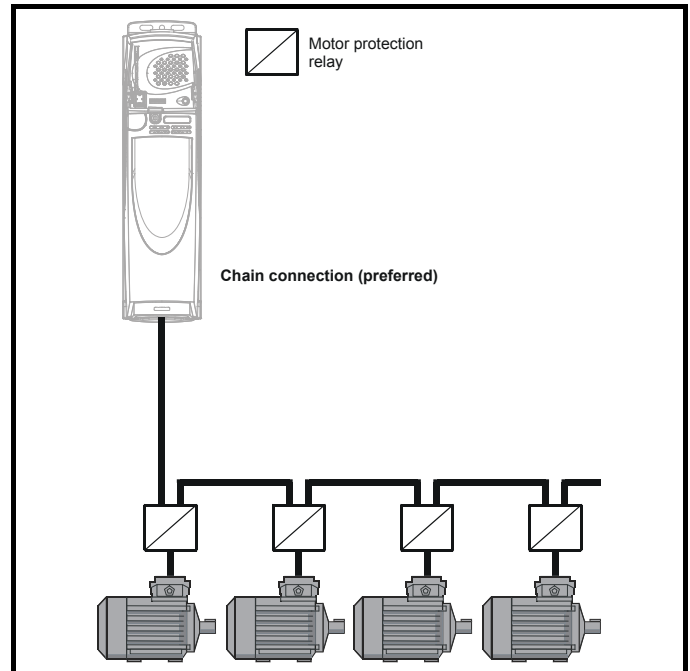
### 4.8.3 Multiple motors

#### Open-loop only (not RFC mode)

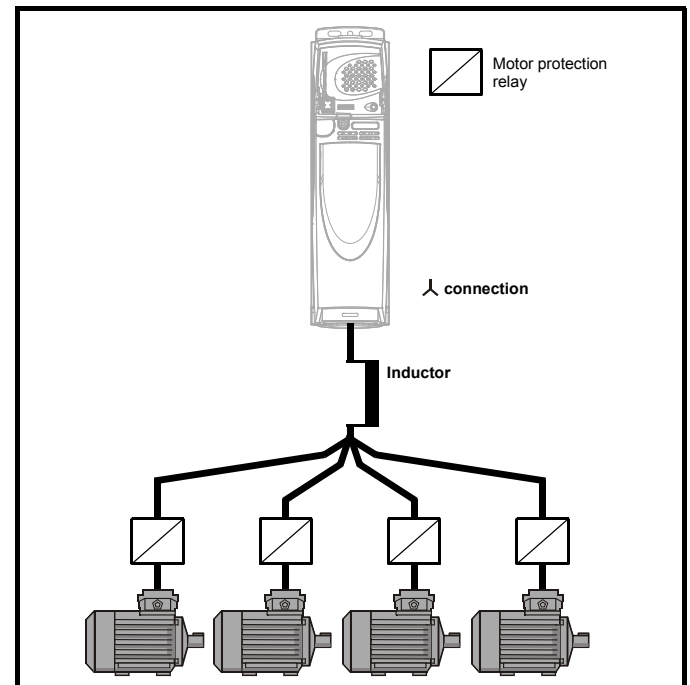
If the drive is to control more than one motor, one of the fixed V/F modes should be selected (Pr 5.14 = Fd or SrE). Make the motor connections as shown in Figure 4-12 and Figure 4-13. The maximum cable lengths in Table 4-6, Table 4-7, Table 4-8 and Table 4-9 apply to the sum of the total cable lengths from the drive to each motor.

It is recommended that each motor is connected through a protection relay since the drive cannot protect each motor individually. For  $\Delta$  connection, a sinusoidal filter or an output inductor must be connected as shown in Figure 4-13, even when the cable lengths are less than the maximum permissible. For details of inductor sizes refer to the supplier of the drive.

**Figure 4-12 Preferred chain connection for multiple motors**



**Figure 4-13 Alternative connection for multiple motors**



### 4.8.4 $\Delta / \Delta$ motor operation

The voltage rating for  $\Delta$  and  $\Delta$  connections of the motor should always be checked before attempting to run the motor.


The default setting of the motor rated voltage parameter is the same as the drive rated voltage, i.e.

- 400V drive 400V rated voltage
- 200V drive 200V rated voltage

A typical 3 phase motor would be connected in  $\Delta$  for 400V operation or  $\Delta$  for 200V operation, however, variations on this are common e.g.  $\Delta$  690V  $\Delta$  400V.

Incorrect connection of the windings will cause severe under or over fluxing of the motor, leading to a very poor output torque or motor saturation and overheating respectively.

#### 4.8.5 Output contactor



If the cable between the drive and the motor is to be interrupted by a contactor or circuit breaker, ensure that the drive is disabled before the contactor or circuit breaker is opened or closed. Severe arcing may occur if this circuit is interrupted with the motor running at high current and low speed.

A contactor is sometimes required to be installed between the drive and motor for safety purposes.

The recommended motor contactor is the AC3 type.

Switching of an output contactor should only occur when the output of the drive is disabled.

Opening or closing of the contactor with the drive enabled will lead to:

1. OI.AC trips (which cannot be reset for 10 seconds)
2. High levels of radio frequency noise emission
3. Increased contactor wear and tear

### 4.9 Braking

Braking occurs when the drive is decelerating the motor, or is preventing the motor from gaining speed due to mechanical influences. During braking, energy is returned to the drive from the motor.

When the motor is being braked by the drive, the maximum regenerated power that the drive can absorb is equal to the power dissipation (losses) of the drive.

When the regenerated power is likely to exceed these losses, the DC bus voltage of the drive increases. Under default conditions, the drive brakes the motor under PI control, which extends the deceleration time as necessary in order to prevent the DC bus voltage from rising above a user defined set-point.

If the drive is expected to rapidly decelerate a load, or to hold back an overhauling load, a braking resistor must be installed.


Table 4-10 shows the DC voltage level at which the drive turns on the braking transistor.

**Table 4-10 Braking transistor turn on voltage**

Drive voltage rating	DC bus voltage level
200V	390V
400V	780V
575V	930V
690V	1120V

#### NOTE

When a braking resistor is used, Pr **0.15** should be set to FAST ramp mode.




**High temperatures**  
Braking resistors can reach high temperatures. Locate braking resistors so that damage cannot result. Use cable having insulation capable of withstanding high temperatures.

#### 4.9.1 Heatsink mounted braking resistor

A resistor has been especially designed to be mounted within the heatsink of the drive (sizes 1 and 2). See the Installation Sheet provided with the heatsink mounted braking resistor. The design of the resistor is such that no thermal protection circuit is required, as the device will fail safely under fault conditions. On sizes 1 and 2, the in built software overload protection is set up at default for the designated heatsink mounted resistor. Table 4-11 provides the resistor data for each drive rating.

#### NOTE

The heatsink mounted resistor is suitable for applications with a low level of regen energy only. See Table 4-11.



**Braking resistor overload protection parameter settings. Failure to observe the following information may damage the resistor.**  
The drive's software contains an overload protection function for a braking resistor. On size 1 and 2 this function is enabled at default to protect the heatsink mounted resistor. Below are the parameter settings.

Parameter	200V drive	400V drive
Full power braking time	Pr <b>10.30</b>	0.09      0.02
Full power braking period	Pr <b>10.31</b>	3.3

For more information on the braking resistor software overload protection, see Pr **10.30** and Pr **10.31** full descriptions in the *Advanced User Guide*.

If the heatsink mounted braking resistor is to be used at more than half of its average power rating then the drive's cooling fan must be at full speed controlled by setting Pr **6.45** to On (1).


**Table 4-11 Heatsink mounted braking resistor data**

Parameter	Size 1	Size 2
Part number	1220-2756-01	1220-2758-01
DC resistance at 25°C	75Ω	37.5Ω
Peak instantaneous power over 1ms at nominal resistance	8kW	16kW
Average power over 60s *	50W	100W
Ingress Protection (IP) rating	IP54	
Maximum altitude	2000m	

\* To keep the temperature of the resistor below 70°C (158°F) in a 30°C (86°F) ambient, the average power rating is 50W for size 1 and 100W for size 2. The above parameter settings ensure this is the case.

Size 3 and larger do not have heatsink mounted braking resistors, hence the default values of Pr **10.30** and Pr **10.31** are 0 (i.e. software braking resistor overload protection disabled).

#### 4.9.2 External braking resistor



**Overload protection**  
When an external braking resistor is used, it is essential that an overload protection device is incorporated in the braking resistor circuit; this is described in Figure 4-14 on page 75.

When a braking resistor is to be mounted outside the enclosure, ensure that it is mounted in a ventilated metal housing that will perform the following functions:

- Prevent inadvertent contact with the resistor
- Allow adequate ventilation for the resistor

When compliance with EMC emission standards is required, external connection requires the cable to be armored or shielded, since it is not fully contained in a metal enclosure. See section 4.11.5 *Compliance with generic emission standards* on page 82 for further details.

Internal connection does not require the cable to be armored or shielded.

### Minimum resistances and power ratings

**Table 4-12 Minimum resistance values and peak power rating for the braking resistor at 40°C (104°F)**

Model	Minimum resistance* Ω	Instantaneous power rating kW	Average power for 60s kW
BA1201	43	3.5	1.5
BA1202			2.2
BA1203			3.0
BA1204	29	5.3	4.4
BA2201	18	8.9	6.0
BA2202			8.0
BA2203			8.9
BA3201	5.0	30.3	13.1
BA3202			19.3
BA4201**	5.0	30.3	22.5
BA4202**			27.8
BA4203**			30.3
BA5201	3.5	53	43.5
BA5202			
BA1401	74	8.3	1.5
BA1402			2.2
BA1403			3.0
BA1404			4.4
BA1405	58	10.6	6.0
BA1406			8.0
BA2401	19	33.1	9.6
BA2402			13.1
BA2403			19.3
BA3401	18	35.5	22.5
BA3402			27.8
BA3403			33.0
BA4401**	11	55.3	45.0
BA4402**			53.0
BA4403**			67.5
BA5401**	7	86.9	82.5
BA5402**			86.9
BA6401	5	122	122
BA6402			
BA3501	18	50.7	4.4
BA3502			6.0
BA3503			8.0
BA3504			9.6
BA3505			13.1
BA3506			19.3
BA3507			22.5
BA4601**	13	95.0	19.3
BA4602**			22.5
BA4603**			27.8
BA4604**			33.0
BA4605**			45.0
BA4606**			55.5
BA5601**	10	125	67.5
BA5602**			82.5
BA6601	10	125	113
BA6602			125

\* Resistor tolerance: ±10%

\*\* The minimum resistance value specified is for a stand-alone drive only. If the drive is part of a common DC bus system a different value must be used. Contact the supplier of the drive for more information.

For high-inertia loads or under continuous braking, the *continuous power* dissipated in the braking resistor may be as high as the power rating of the drive. The total *energy* dissipated in the braking resistor is dependent on the amount of energy to be extracted from the load.

The instantaneous power rating refers to the short-term maximum power dissipated during the *on* intervals of the pulse width modulated braking control cycle. The braking resistor must be able to withstand this dissipation for short intervals (milliseconds). Higher resistance values require proportionately lower instantaneous power ratings.

In most applications, braking occurs only occasionally. This allows the continuous power rating of the braking resistor to be much lower than the power rating of the drive. It is essential, though, that the instantaneous power rating and energy rating of the braking resistor are sufficient for the most extreme braking duty that is likely to be encountered.

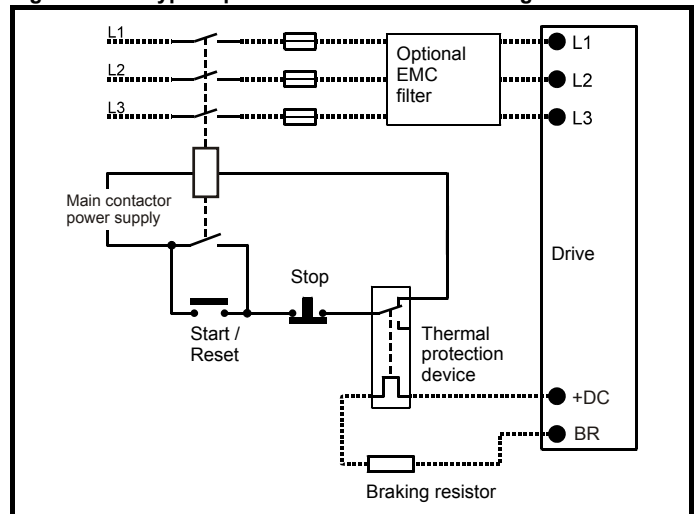
Optimization of the braking resistor requires a careful consideration of the braking duty.

Select a value of resistance for the braking resistor that is not less than the specified minimum resistance. Larger resistance values may give a cost saving, as well as a safety benefit in the event of a fault in the braking system. Braking capability will then be reduced, which could cause the drive to trip during braking if the value chosen is too large.

### Thermal protection circuit for the braking resistor

The thermal protection circuit must disconnect the AC supply from the drive if the resistor becomes overloaded due to a fault. Figure 4-14 shows a typical circuit arrangement.

**Figure 4-14 Typical protection circuit for a braking resistor**



See Figure 4-1 on page 64, Figure 4-2 and Figure 4-3 on page 65, and Figure 4-4 on page 66 for the location of the +DC and braking resistor connections.

#### 4.9.3 Braking resistor software overload protection

The drive software contains an overload protection function for a braking resistor. In order to enable and set-up this function, it is necessary to enter two values into the drive:

- Resistor short-time overload time (Pr **10.30**)
- Resistor minimum time between repeated short-time overloads (Pr **10.31**)


This data should be obtained from the manufacturer of the braking resistors.

Pr **10.39** gives an indication of braking resistor temperature based on a simple thermal model. Zero indicates the resistor is close to ambient and 100% is the maximum temperature the resistor can withstand. A br.rS alarm is given if this parameter is above 75% and the braking IGBT is active. An It.br trip will occur if Pr **10.39** reaches 100%, when Pr **10.37** is set to 0 (default value) or 1.

If Pr **10.37** is equal to 2 or 3 an It.br trip will not occur when Pr **10.39** reaches 100%, but instead the braking IGBT will be disabled until Pr **10.39** falls below 95%. This option is intended for applications with parallel connected DC buses where there are several braking resistors, each of which cannot withstand full DC bus voltage continuously. With this type of application it is unlikely the braking energy will be shared equally between the resistors because of voltage measurement tolerances within the individual drives. Therefore with Pr **10.37** set to 2 or 3, then as soon as a resistor has reached its maximum temperature the drive will disable the braking IGBT, and another resistor on another drive will take up the braking energy. Once Pr **10.39** has fallen below 95% the drive will allow the braking IGBT to operate again.

See the *Advanced User Guide* for more information on Pr **10.30**, Pr **10.31**, Pr **10.37** and Pr **10.39**.

This software overload protection should be used in addition to an external overload protection device.



**Fire Mode - Important Warning**

When Fire Mode is active the motor overload and thermal protection are disabled, as well as a number of drive protection functions. Fire Mode is provided for use only in emergency situations where the safety risk from disabling protection is less than the risk from the drive tripping - typically in smoke extraction operation to permit evacuation of a building. The use of Fire Mode itself causes a risk of fire from overloading of the motor or drive, so it must only be used after careful consideration of the balance of risks.

Care must be taken to prevent inadvertent activation or deactivation of Fire Mode. Fire Mode is indicated by a flashing display text warning "Fire mode active".

Care must be taken to ensure that parameters Pr **1.53** or Pr **1.54** are not inadvertently re-allocated to different inputs or variables. It should be noted that, by default, Pr **1.54** is controlled from digital input 4 and changing Pr **6.04** or Pr **8.24** can re-allocate this digital input to another parameter. These parameters are at access level 2 in order to minimize the risk of inadvertent or unauthorized changes. It is recommended that User Security be applied to further reduce the risk (see section 5.10 *Parameter access level and security* on page 95). These parameters may also be changed via serial communications so adequate precautions should be taken if this functionality is utilized.

#### 4.10 Ground leakage

The ground leakage current depends upon whether the internal EMC filter is installed. The drive is supplied with the filter installed. Instructions for removing the internal filter are given in Figure 4-20 *Removal of internal EMC filter (size 1 to 3)* and Figure 4-21 *Removal of internal EMC filter (sizes 4 to 6)* on page 79.

**With internal filter installed:**

**Size 1 to 3:** 28mA\* AC at 400V 50Hz

30µA DC with a 600V DC bus (10MΩ)

**Size 4 to 6:** 56mA\* AC at 400V 50Hz


18µA DC with a 600V DC bus (33MΩ)

\* Proportional to the supply voltage and frequency.

**With internal filter removed:**

<1mA

Note that in both cases there is an internal voltage surge protection device connected to ground. Under normal circumstances this carries negligible current.




When the internal filter is installed the leakage current is high. In this case a permanent fixed ground connection must be provided, or other suitable measures taken to prevent a safety hazard occurring if the connection is lost.

#### 4.10.1 Use of residual current device (RCD)

There are three common types of ELCB / RCD:

1. AC - detects AC fault currents
2. A - detects AC and pulsating DC fault currents (provided the DC current reaches zero at least once every half cycle)
3. B - detects AC, pulsating DC and smooth DC fault currents
  - Type AC should never be used with drives.
  - Type A can only be used with single phase drives
  - Type B must be used with three phase drives



Only type B ELCB / RCD are suitable for use with 3 phase inverter drives.

If an external EMC filter is used, a delay of at least 50ms should be incorporated to ensure spurious trips are not seen. The leakage current is likely to exceed the trip level if all of the phases are not energized simultaneously.

#### 4.11 EMC (Electromagnetic compatibility)

The requirements for EMC are divided into three levels in the following three sections:

**Section 4.11.3, General requirements** for all applications, to ensure reliable operation of the drive and minimize the risk of disturbing nearby equipment. The immunity standards specified in section 11 will be met, but no specific emission standards. Note also the special requirements given in *Surge immunity of control circuits - long cables and connections outside a building* on page 84 for increased surge immunity of control circuits where control wiring is extended.

**Section 4.11.4, Requirements for meeting the EMC standard for power drive systems, IEC61800-3 (EN 61800-3:2004).**

**Section 4.11.5, Requirements for meeting the generic emission standards** for the industrial environment, IEC61000-6-4, EN 61000-6-4:2007.

The recommendations of section 4.11.3 will usually be sufficient to avoid causing disturbance to adjacent equipment of industrial quality. If particularly sensitive equipment is to be used nearby, or in a non-industrial environment, then the recommendations of section 4.11.4 or section 4.11.5 should be followed to give reduced radio-frequency emission.

In order to ensure the installation meets the various emission standards described in:

- The EMC data sheet available from the supplier of the drive
- The Declaration of Conformity at the front of this manual
- Chapter 12 *Technical data* on page 222

...the correct external EMC filter must be used and all of the guidelines in section 4.11.3 *General requirements for EMC* and section 4.11.5 *Compliance with generic emission standards* must be followed.

**Table 4-13 Affinity EMC filter cross reference**

Drive	Schaffner	Epcos
	CT part no.	CT part no.
BA1201 to BA1202	4200-6118	4200-6121
BA1203 to BA1204	4200-6119	4200-6120
BA2201 to BA2203	4200-6210	4200-6211
BA3201 to BA3202	4200-6307	4200-6306
BA4201 to BA4203	4200-6406	4200-6405
BA5201 to BA5202	4200-6503	4200-6501
BA1401 to BA1404	4200-6118	4200-6121
BA1405 to BA1406	4200-6119	4200-6120
BA2401 to BA2403	4200-6210	4200-6211
BA3401 to BA3403	4200-6305	4200-6306
BA4401 to BA4403	4200-6406	4200-6405
BA5401 to BA5402	4200-6503	4200-6501
BA6401 to BA6402	4200-6603	4200-6601
BA3501 to BA3507	4200-6309	4200-6308
BA4601 to BA4606	4200-6408	4200-6407
BA5601 to BA5602	4200-6504	4200-6502
BA6601 to BA6602	4200-6604	4200-6602

**Table 4-14 IP54 EMC filter cross reference**

Drive	CT part no.
BA1201 to BA1202	4200-6125
BA1203 to BA1204	4200-6124
BA1401 to BA1404	4200-6125
BA1405 to BA1406	4200-6124
BA2201 to BA2203	4200-6218
BA2401 to BA2403	4200-6218
BA3201 to BA3202	4200-6319
BA3401 to BA3403	4200-6318
BA3501 to BA3502	4200-6320



**High ground leakage current**

When an EMC filter is used, a permanent fixed ground connection must be provided which does not pass through a connector or flexible power cord. This includes the internal EMC filter.

**NOTE**

The installer of the drive is responsible for ensuring compliance with the EMC regulations that apply where the drive is to be used.

**4.11.1 Grounding hardware**

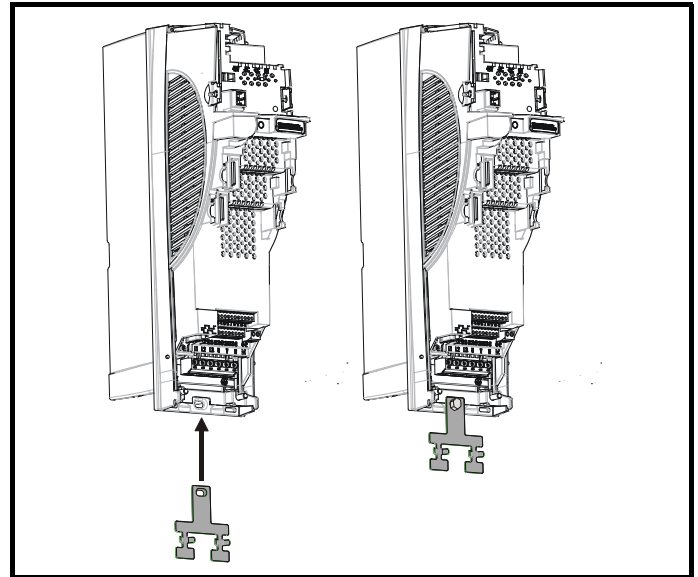
The drive is supplied with a grounding bracket, and sizes 1 to 3 with a grounding clamp, to facilitate EMC compliance. They provide a convenient method for direct grounding of cable shields without the use of "pig-tails". Cable shields can be bared and clamped to the grounding bracket using metal clips or clamps<sup>1</sup> (not supplied) or cable ties. Note that the shield must in all cases be continued through the clamp to the intended terminal on the drive, in accordance with the connection details for the specific signal.

<sup>1</sup> A suitable clamp is the Phoenix DIN rail mounted SK14 cable clamp (for cables with a maximum outer diameter of 14mm).

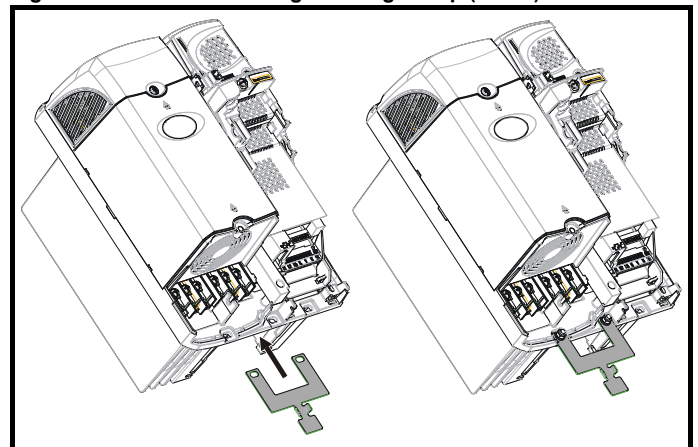
See Figure 4-15 and Figure 4-16 for details on installing the grounding clamp.

See Figure 4-17 for details on installing the grounding bracket.

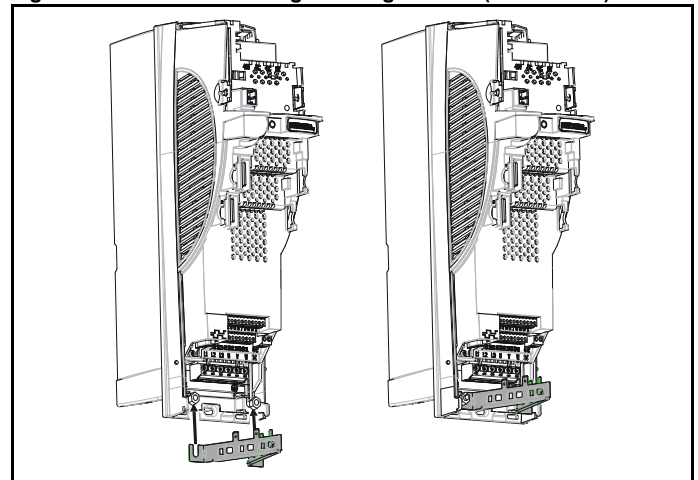
**Figure 4-15 Installation of grounding clamp (size 1 and 2)**




**Figure 4-16 Installation of grounding clamp (size 3)**



**Figure 4-17 Installation of grounding bracket (sizes 1 to 6)**

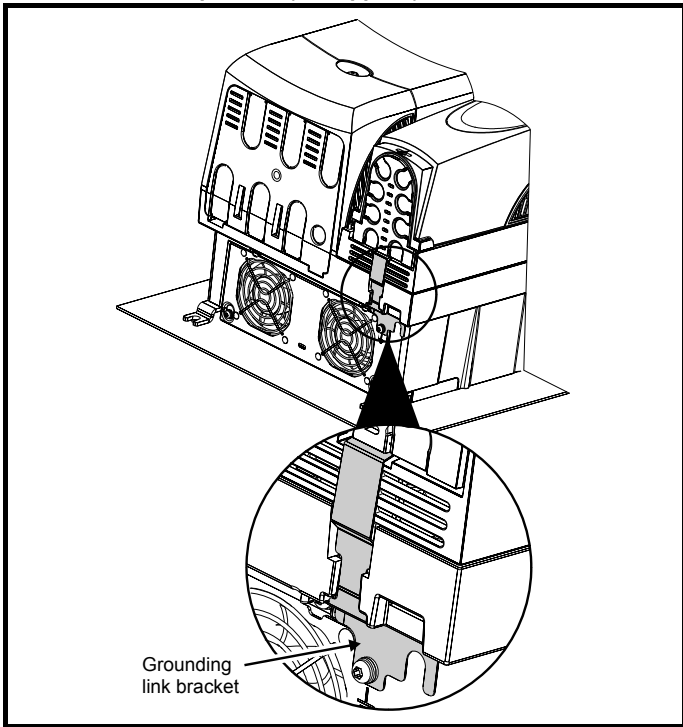


Loosen the ground connection nuts and slide the grounding bracket in the direction shown. Once in place, re-tighten the ground connection nuts.

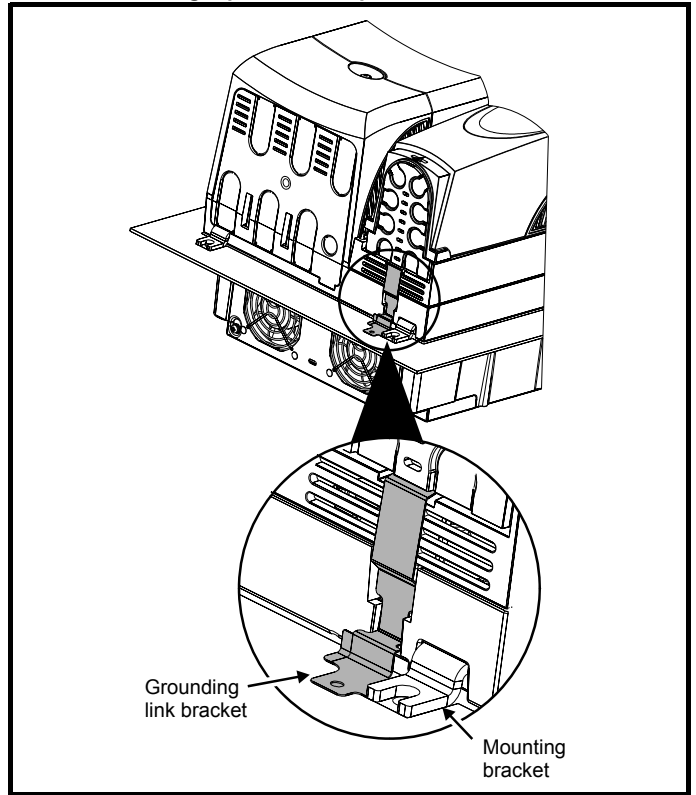
 On size 1 and 2, the grounding bracket is secured using the power ground terminal of the drive. Ensure that the supply ground connection is secure after installing / removing the grounding bracket. Failure to do so will result in the drive not being grounded.

A faston tab is located on the grounding bracket for the purpose of connecting the drive 0V to ground should the user require to do so. When a size 4 or 5 is through-panel mounted, the grounding link bracket must be folded upwards. A screw can be used to secure the bracket or it can be located under the mounting bracket to ensure that a ground connection is made. This is required to provide a grounding point for the grounding bracket as shown in Figure 4-18.

**Figure 4-18** Size 4 and 5 grounding link bracket in its surface mount position (as supplied)




**Figure 4-19** Size 4 and 5 grounding link bracket folded up into its through-panel mount position



#### 4.11.2 Internal EMC filter

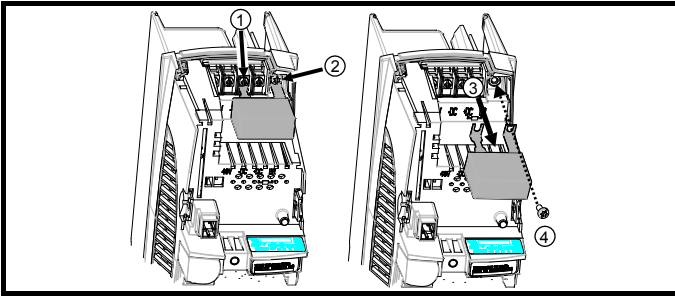
It is recommended that the internal EMC filter be kept in place unless there is a specific reason for removing it.

 For frame sizes 3 and above, when the drive is used with ungrounded (IT) supplies the internal EMC filter must be removed unless additional motor ground fault protection is installed or, in the case of size 3 only, the external filter is also used. For instructions on removal, refer to Figure 4-20 and Figure 4-21. For details of ground fault protection contact the supplier of the drive.

If the drive is used as a motoring drive as part of a Unidrive SP regen system, then the internal EMC filter must be removed.

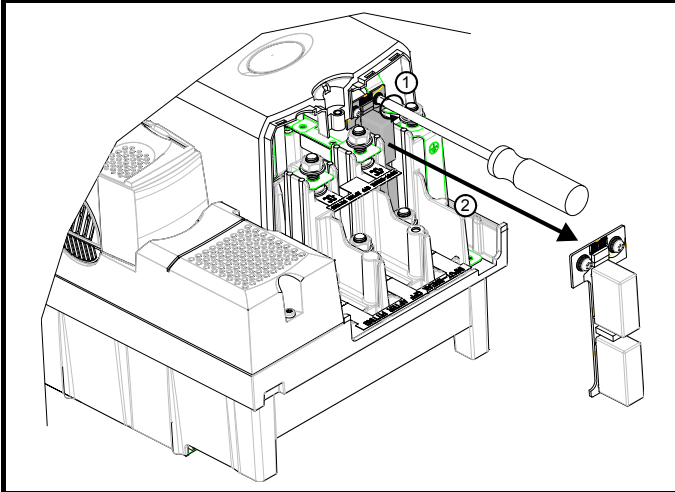
The internal EMC filter reduces radio-frequency emission into the line power supply. Where the motor cable is short, it permits the requirements of EN 61800-3:2004 to be met for the second environment - see section 4.11.4 *Compliance with EN 61800-3:2004 (standard for Power Drive Systems)* on page 81 and section 12.1.23 *Electromagnetic compatibility (EMC)* on page 238. For longer motor cables the filter continues to provide a useful reduction in emission level, and when used with any length of shielded motor cable up to the limit for the drive, it is unlikely that nearby industrial equipment will be disturbed. It is recommended that the filter be used in all applications unless the instructions given above require it to be removed or the ground leakage current of 28mA for size 1 to 3 or 56mA for size 4 to 6 is unacceptable. See Figure 4-20 and Figure 4-21 for details of removing and installing the internal EMC filter.

**Figure 4-20 Removal of internal EMC filter (size 1 to 3)**



Loosen / remove screws as shown (1) and (2).  
 Remove filter (3), and ensure the screws are replaced and re-tightened (4).

**Figure 4-21 Removal of internal EMC filter (sizes 4 to 6)**



Loosen screws (1). Remove EMC filter in the direction shown (2).

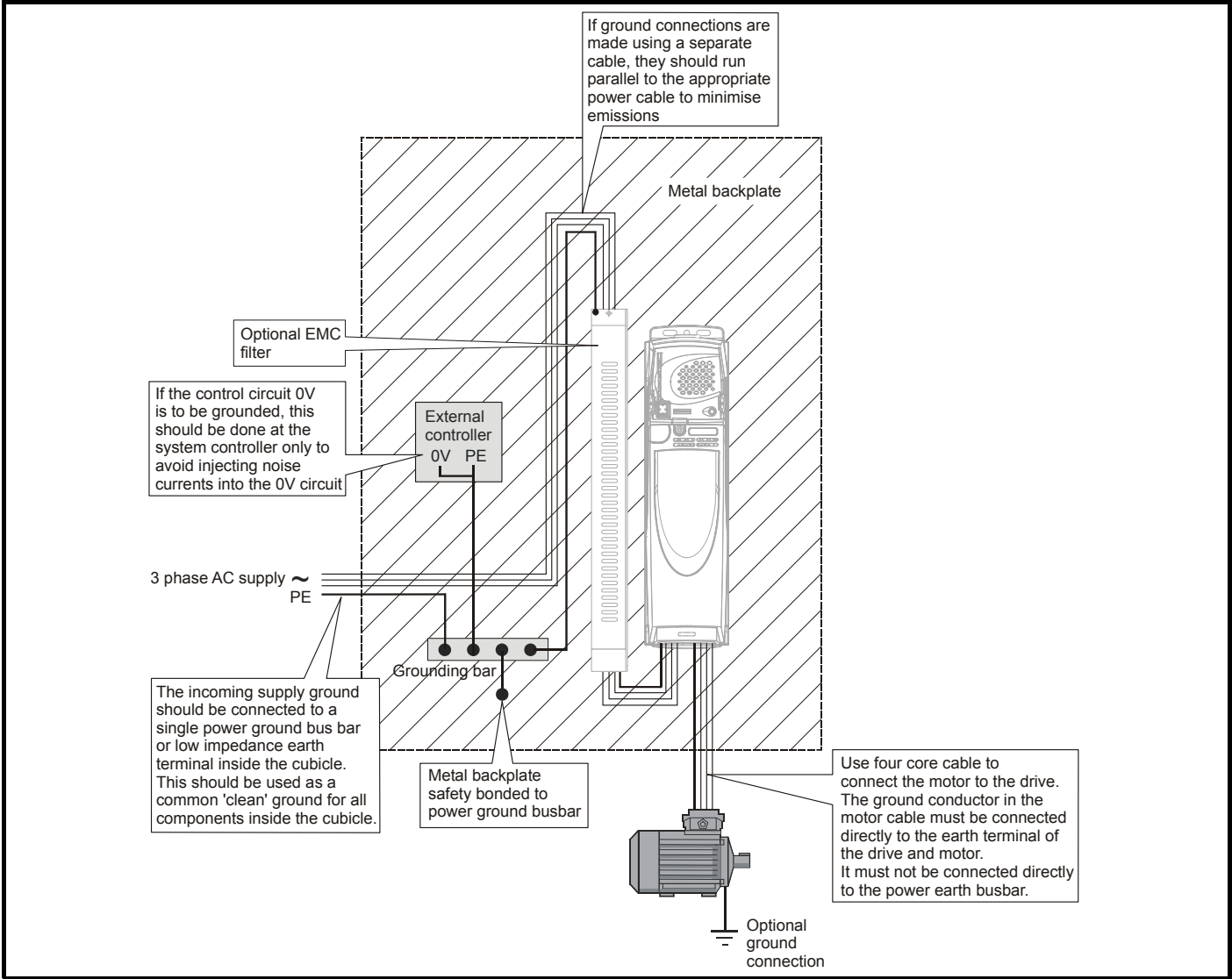
### 4.11.3 General requirements for EMC

#### Ground (earth) connections

The grounding arrangements should be in accordance with Figure 4-22, which shows a single drive on a back-plate with or without an additional enclosure.

Figure 4-22 shows how to manage EMC when using an unshielded motor cable. However a shielded cable is preferable, in which case it should be installed as shown in section 4.11.5 *Compliance with generic emission standards* on page 82.

**Figure 4-22 General EMC enclosure layout showing ground connections**

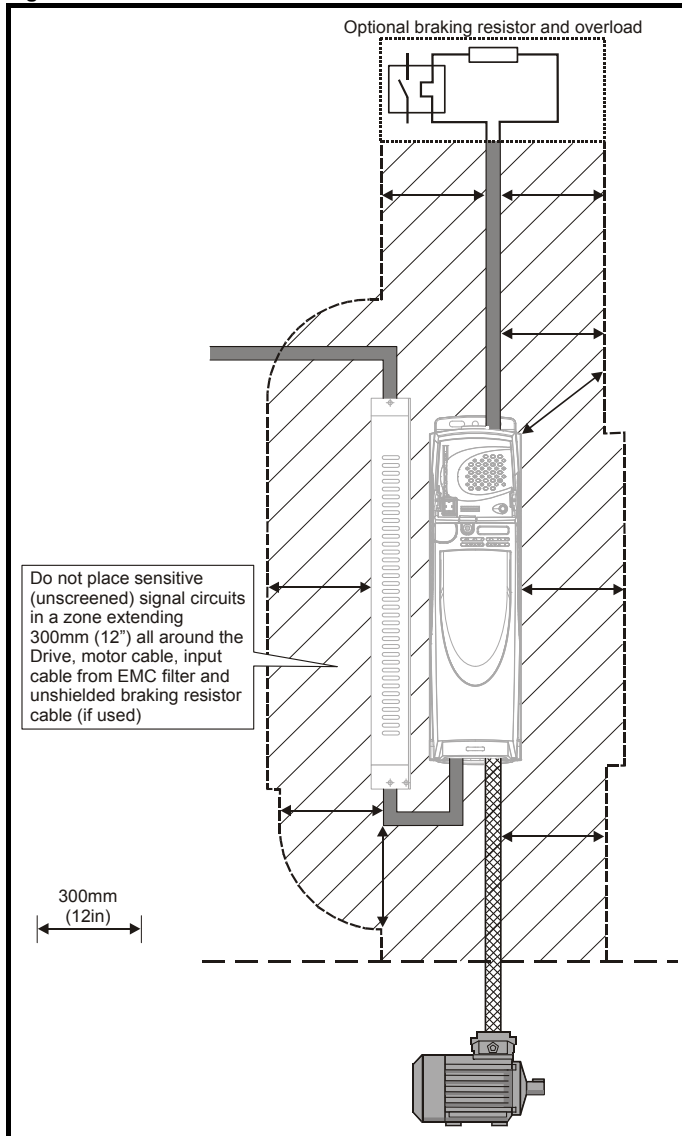




### Cable layout

Figure 4-23 indicates the clearances which should be observed around the drive and related 'noisy' power cables by all sensitive control signals / equipment.

**Figure 4-23 Drive cable clearances**



**NOTE**

Any signal cables which are carried inside the motor cable (i.e. motor thermistor, motor brake) will pick up large pulse currents via the cable capacitance. The shield of these signal cables must be connected to ground close to the motor cable, to avoid this noise current spreading through the control system.

### 4.11.4 Compliance with EN 61800-3:2004 (standard for Power Drive Systems)

Meeting the requirements of this standard depends on the environment that the drive is intended to operate in, as follows:

#### Operation in the first environment

Observe the guidelines given in section 4.11.5 *Compliance with generic emission standards* on page 82. An external EMC filter will always be required.

This is a product of the restricted distribution class according to IEC 61800-3

In a residential environment this product may cause radio interference in which case the user may be required to take adequate measures.

### Operation in the second environment

In all cases a shielded motor cable must be used, and an EMC filter is required for all Affinity drives with a rated input current of less than 100A. The drive contains an in-built filter for basic emission control. In some cases feeding the motor cables (U, V and W) once through a ferrite ring can maintain compliance for longer cable lengths. The requirements of operating in the second environment are met, depending on the motor cable length for 3kHz switching frequency as stated in Table 4-15.

**Table 4-15 Second environment emission compliance**

Drive size	Filter	Voltage	Motor cable length (m)		
			0 to 4	4 to 10	10 to 100
1	In-built	Any	Unrestricted	Restricted	
	In-built and ferrite ring	Any	Unrestricted		Restricted
2	In-built	Any	Restricted		
	In-built and ferrite ring	Any	Unrestricted		Restricted
3	In-built	Any	Restricted		
4	In-built	Any	Restricted		
5	In-built	200 & 400	Unrestricted		
		690	Restricted		
6	In-built	Any	Unrestricted		

**Key:**

Restricted: EN 61800-3:2004 second environment, restricted distribution (Additional measures may be required to prevent interference)

Unrestricted: EN 61800-3:2004 second environment, unrestricted distribution

For longer motor cables, an external filter is required. Where a filter is required, follow the guidelines in section 4.11.5 *Compliance with generic emission standards*.

Where a filter is not required, follow the guidelines given in section 4.11.3 *General requirements for EMC* on page 80.

The second environment typically includes an industrial low-voltage power supply network which does not supply buildings used for residential purposes. Operating the drive in this environment without an external EMC filter may cause interference to nearby electronic equipment whose sensitivity has not been appreciated. The user must take remedial measures if this situation arises. If the consequences of unexpected disturbances are severe, it is recommended that the guidelines in section 4.11.5 *Compliance with generic emission standards* be adhered to.

Refer to section 12.1.23 *Electromagnetic compatibility (EMC)* for further information on compliance with EMC standards and definitions of environments.

Detailed instructions and EMC information are given in the *EMC Data Sheet* which is available from the supplier of the drive.

### 4.11.5 Compliance with generic emission standards

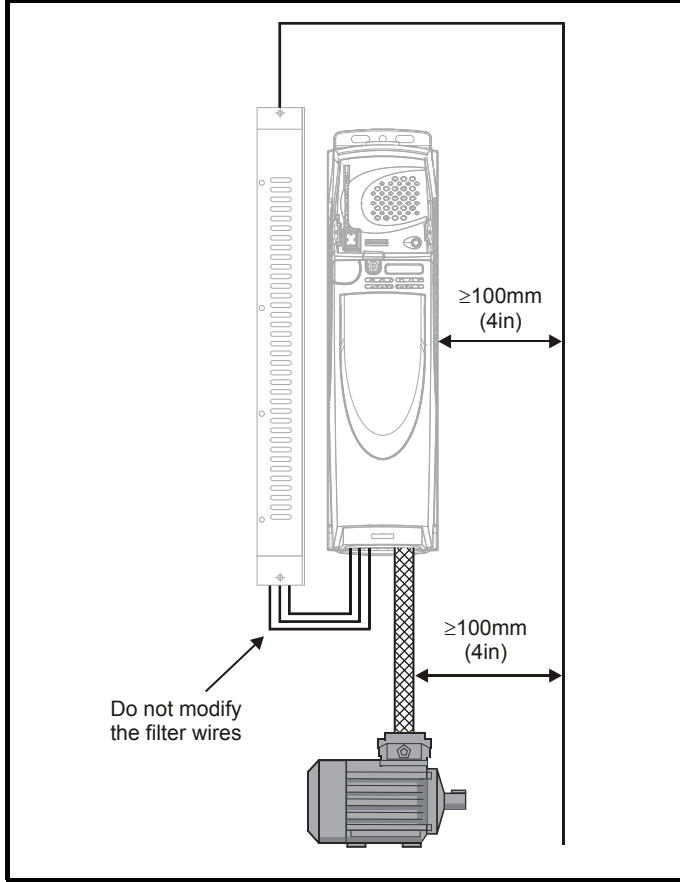
The following information applies to frame sizes 1 to 5.

Size 6 upwards does not comply with the requirements of the generic standards for radiated emission.

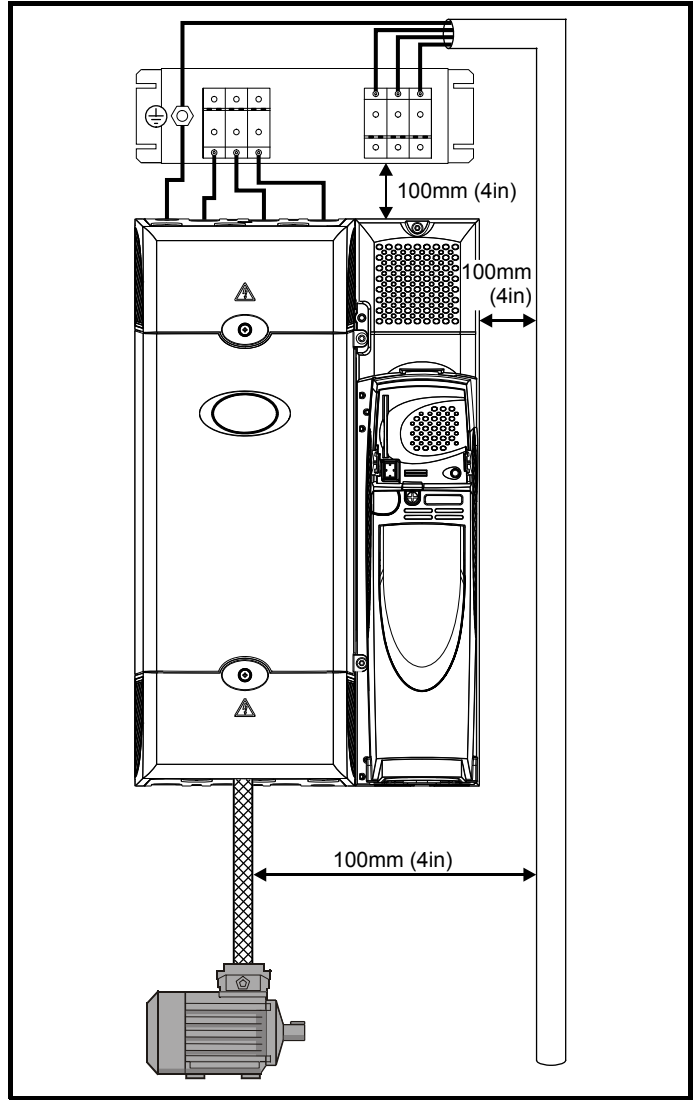
Size 6 complies with the requirements for conducted emission.

Use the recommended filter and shielded motor cable. Observe the layout rules given in Figure 4-24. Ensure the AC supply and ground cables are at least 100mm from the power module and motor cable.

**Figure 4-24 Supply and ground cable clearance (size 1 to 3)**

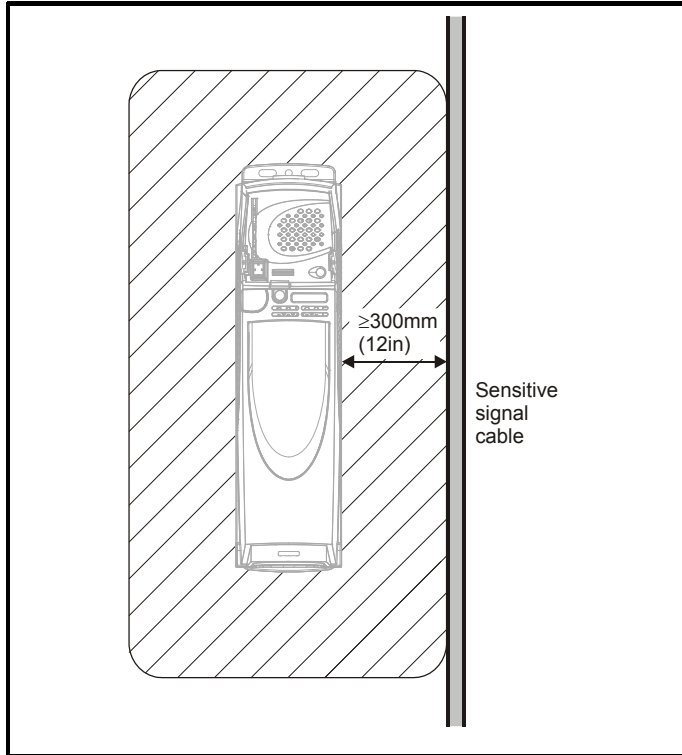


**Figure 4-25 Supply and ground cable clearance (size 4 to 6)**



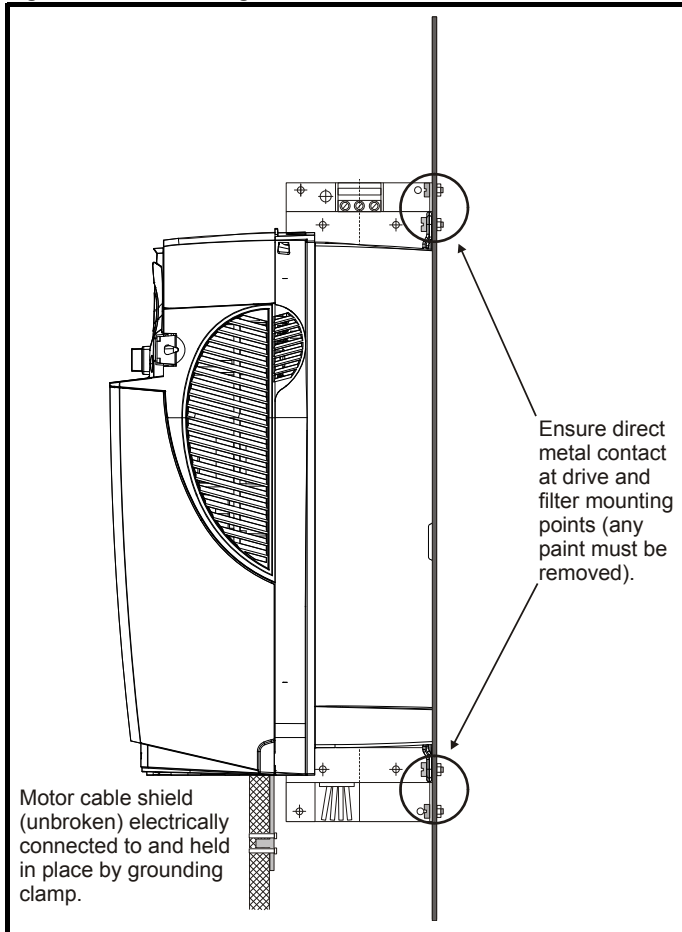
Avoid placing sensitive signal circuits in a zone 300mm (12in) all around the power module.

**Figure 4-26 Sensitive signal circuit clearance**



Ensure good EMC grounding.

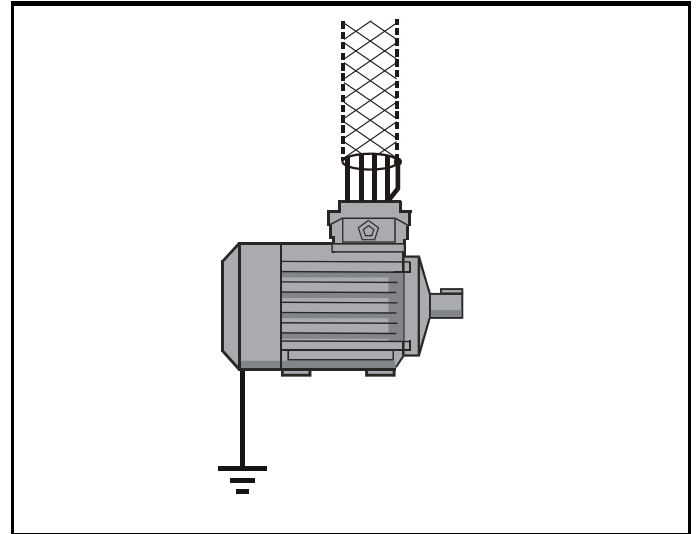
**Figure 4-27 Grounding the drive, motor cable shield and filter**



Connect the shield of the motor cable to the ground terminal of the motor frame using a link that is as short as possible and not exceeding 50mm (2in) long. A full 360° termination of the shield to the terminal housing of the motor is beneficial.

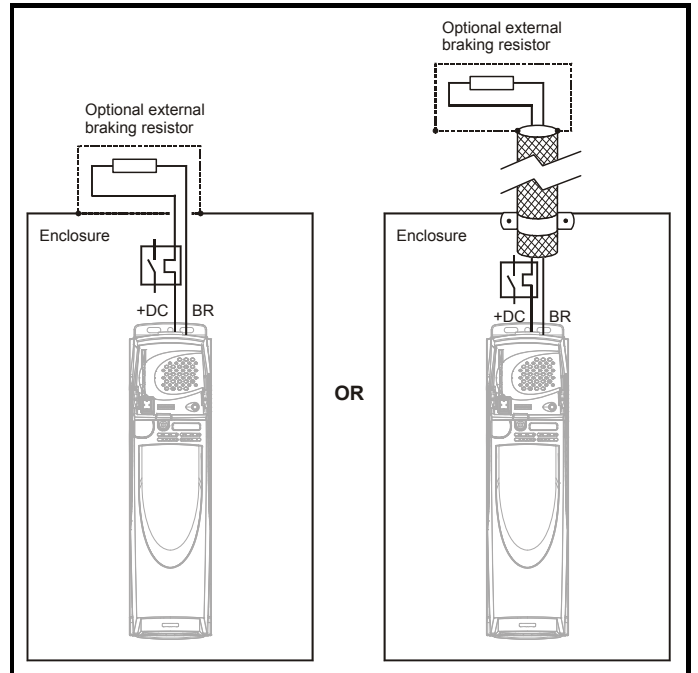
It is unimportant for EMC purposes whether the motor cable contains an internal (safety) ground core, or there is a separate external ground conductor, or grounding is through the shield alone. An internal ground core will carry a high noise current and therefore it must be terminated as close as possible to the shield termination.

**Figure 4-28 Grounding the motor cable shield**



Unshielded wiring to the optional braking resistor(s) may be used, provided the wiring does not run external to the enclosure. Ensure a minimum spacing of 300mm (12in) from signal wiring and the AC supply wiring to the external EMC filter. Otherwise this wiring must be shielded.

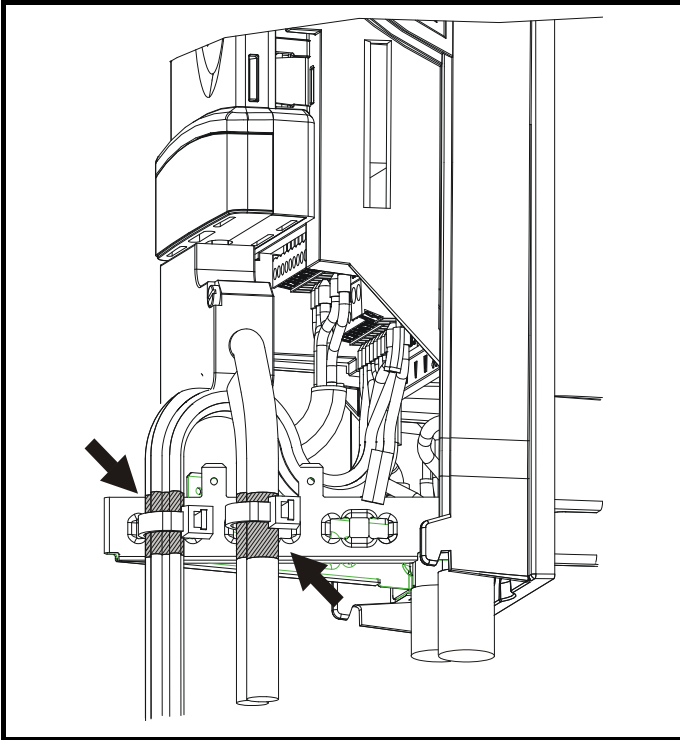
**Figure 4-29 Shielding requirements of optional external braking resistor**



If the control wiring is to leave the enclosure, it must be shielded and the shield(s) clamped to the drive using the grounding bracket as shown in Figure 4-30. Remove the outer insulating cover of the cable to ensure the shield(s) make contact with the bracket, but keep the shield(s) intact until as close as possible to the terminals

Alternatively, wiring may be passed through a ferrite ring, part no. 3225-1004.

**Figure 4-30 Grounding of signal cable shields using the grounding bracket**



#### 4.11.6 Variations in the EMC wiring Interruptions to the motor cable

The motor cable should ideally be a single length of shielded or armored cable having no interruptions. In some situations it may be necessary to interrupt the cable, as in the following examples:

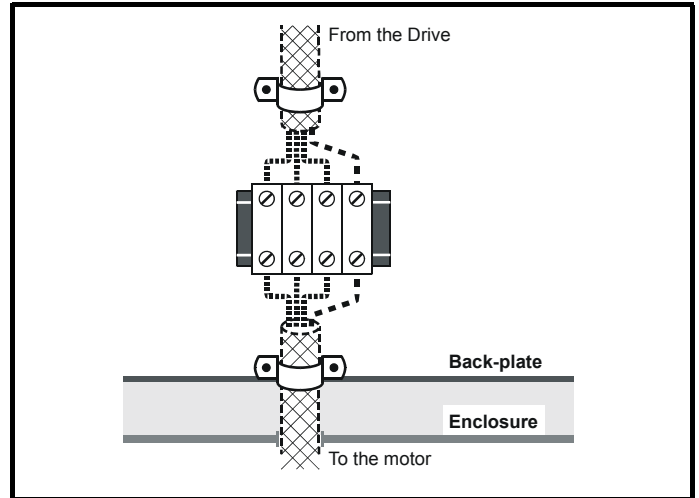
- Connecting the motor cable to a terminal block in the drive enclosure
- Installing a motor isolator / disconnect switch for safety when work is done on the motor

In these cases the following guidelines should be followed.

##### Terminal block in the enclosure

The motor cable shields should be bonded to the back-plate using uninsulated metal cable-clamps which should be positioned as close as possible to the terminal block. Keep the length of power conductors to a minimum and ensure that all sensitive equipment and circuits are at least 0.3m (12 in) away from the terminal block.

**Figure 4-31 Connecting the motor cable to a terminal block in the enclosure**



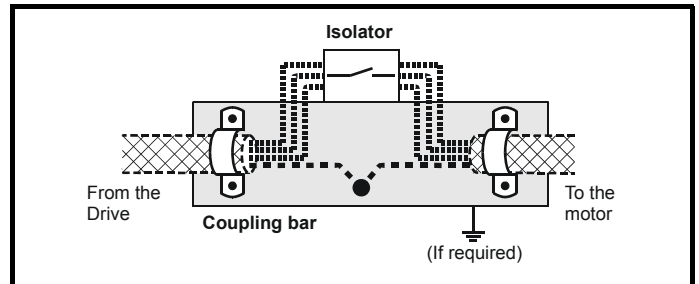
##### Using a motor isolator / disconnect-switch

The motor cable shields should be connected by a very short conductor having a low inductance. The use of a flat metal coupling-bar is recommended; conventional wire is not suitable.

The shields should be bonded directly to the coupling-bar using uninsulated metal cable-clamps. Keep the length of the exposed power conductors to a minimum and ensure that all sensitive equipment and circuits are at least 0.3m (12 in) away.

The coupling-bar may be grounded to a known low-impedance ground nearby, for example a large metallic structure which is connected closely to the drive ground.

**Figure 4-32 Connecting the motor cable to an isolator / disconnect switch**



##### Surge immunity of control circuits - long cables and connections outside a building

The input/output ports for the control circuits are designed for general use within machines and small systems without any special precautions.

These circuits meet the requirements of EN 61000-6-2:2005 (1kV surge) provided the 0V connection is not grounded.

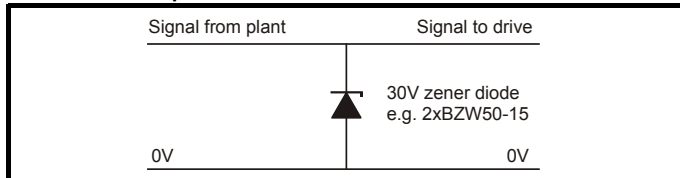
In applications where they may be exposed to high-energy voltage surges, some special measures may be required to prevent malfunction or damage. Surges may be caused by lightning or severe power faults in association with grounding arrangements which permit high transient voltages between nominally grounded points. This is a particular risk where the circuits extend outside the protection of a building.

As a general rule, if the circuits are to pass outside the building where the drive is located, or if cable runs within a building exceed 30m, some additional precautions are advisable. One of the following techniques should be used:

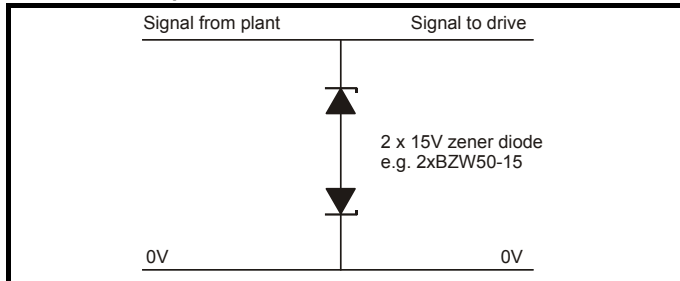
- Galvanic isolation, i.e. do not connect the control 0V terminal to ground. Avoid loops in the control wiring, i.e. ensure every control wire is accompanied by its return (0V) wire.
- Shielded cable with additional power ground bonding. The cable shield may be connected to ground at both ends, but in addition the ground conductors at both ends of the cable must be bonded together by a power ground cable (equipotential bonding cable) with cross-sectional area of at least 10mm<sup>2</sup>, or 10 times the area of the signal cable shield, or to suit the electrical safety requirements of the plant. This ensures that fault or surge current passes mainly through the ground cable and not in the signal cable shield. If the building or plant has a well-designed common bonded network this precaution is not necessary.
- Additional over-voltage suppression - for the analog and digital inputs and outputs, a zener diode network or a commercially available surge suppressor may be connected in parallel with the input circuit as shown in Figure 4-33 and Figure 4-34.

If a digital port experiences a severe surge its protective trip may operate (O.Ld1 trip code 26). For continued operation after such an event, the trip can be reset automatically by setting Pr **10.34** to 5.

**Figure 4-33 Surge suppression for digital and unipolar inputs and outputs**



**Figure 4-34 Surge suppression for analog and bipolar inputs and outputs**



Surge suppression devices are available as rail-mounting modules, e.g. from Phoenix Contact:

- Unipolar TT-UKK5-D/24 DC
- Bipolar TT-UKK5-D/24 AC

These devices are not suitable for encoder signals or fast digital data networks because the capacitance of the diodes adversely affects the signal. Most encoders have galvanic isolation of the signal circuit from the motor frame, in which case no precautions are required. For data networks, follow the specific recommendations for the particular network.

#### 4.11.7 EMC wiring for E12/E54 and E12/E66 drives Size 1-2

The gland plates have pre-prepared holes installed with grommets for power and motor connection. The cable should pass through these and the shield connected to ground using the supplied grounding clamp (see section 4.11.1 *Grounding hardware*). Alternatively the grommets can be replaced with EMC glands.

#### Size 3-6

Custom holes have to be drilled for the power and motor cables. Suitable glands should be installed to the gland plate, the cable passed through the glands and the cable shield connected to ground inside the drive. Alternatively EMC glands can be used.

#### NOTE

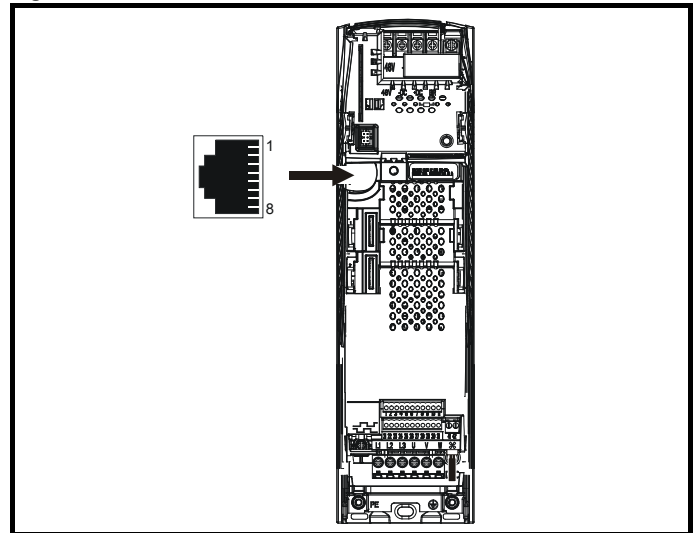
If EMC glands are used they should be rated to the required IP rating and installed in accordance with the supplier's recommendations.

### 4.12 PC communications connections

#### 4.12.1 Communications port

The drive has a serial communications port (serial port) as standard supporting 2 wire EIA485 communications. Please see Table 4-16 for the connection details for the RJ45 connector.

**Figure 4-35 Location of the RJ45 serial comms connector**



**Table 4-16 Connection details for RJ45 connector**

Pin	Function
1	120Ω Termination resistor
2	RX TX
3	Isolated 0V
4	+24V (100mA)
5	Isolated 0V
6	TX enable
7	RX\ TX\
8	RX\ TX\ (if termination resistors are required, link to pin 1)
Shell	Isolated 0V

The communications port applies a 2 unit load to the communications network.

Minimum number of connections are 2, 3, 7 and shield. Shielded cable must be used at all times.

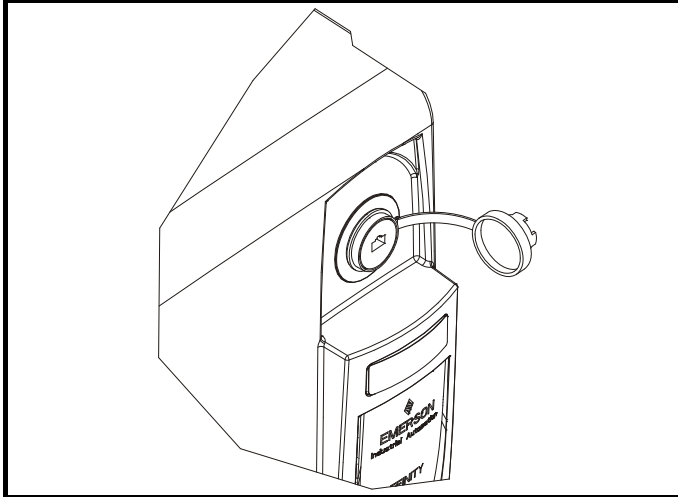
#### 4.12.2 E12/E66 communications connection

The drive serial port is connected to an external RJ 45 connector on the front of the drive, as shown in Figure 4-36 below.

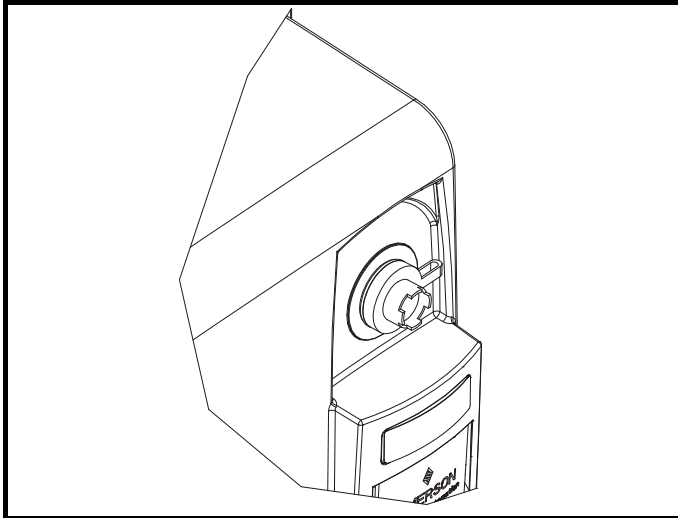
The serial cable must be a shielded RJ45 cable with an appropriate connector (suitable for mating with a Bulgin Buccaneer PX0833), rated to a minimum of IP66.

If a cable is not connected then the connector cap must be installed as shown in Figure 4-37.

**Figure 4-36 Location of RJ45 serial connector**




**Figure 4-37 Connector with cap installed**



#### 4.12.3 Isolation of the communications port

The PC communications port is double insulated and meets the requirements for SELV in EN 50178:1998.

 In order to meet the requirements for SELV in IEC60950 (IT equipment) it is necessary for the control computer to be grounded. Alternatively, when a lap-top or similar device is used which has no provision for grounding, an isolation device must be incorporated in the communications lead.

An isolated serial communications lead has been designed to connect the drive to IT equipment (such as lap-top computers), and is available from the supplier of the drive. See below for details:

**Table 4-17 Isolated serial comms lead details**

Part number	Description
4500-0087	CT EIA232 Comms cable
4500-0096	CT USB Comms cable

The "isolated serial communications" lead has reinforced insulation as defined in IEC60950 for altitudes up to 3,000m.

**NOTE**

When using the CT EIA232 Comms cable the available baud rate is limited to 19.2k baud.

### 4.13 Terminal connections

#### 4.13.1 General

**Table 4-18 The terminal connections consist of:**

Function	Qty	Control parameters available	Terminal number
Differential analog input	1	Destination, offset, offset trim, invert, scaling	5,6
Single ended analog input	2	Mode, offset, scaling, invert, destination	7,8
Analog output	2	Source, mode, scaling,	9,10
Digital input	3	Destination, invert, logic select	27, 28, 29
Digital input / output	3	Input / output mode select, destination / source, invert, logic select	24, 25, 26
Building automation network	5		35 to 39
Relay	1	Source, invert	41,42
Drive enable	1		31
+10V User output	1		4
+24V User output	1	Source, invert	22
0V common	6		1, 3, 11, 21, 23, 30
+24V External input	1		2

**Key:**

**Destination parameter:** indicates the parameter which is being controlled by the terminal / function

**Source parameter:** indicates the parameter being output by the terminal


**Mode parameter:** analog - indicates the mode of operation of the terminal, i.e. voltage 0-10V, current 4-20mA etc.


digital - indicates the mode of operation of the terminal, i.e. positive / negative logic (the Drive Enable terminal is fixed in positive logic), open collector.


All analog terminal functions can be programmed in menu 7.

All digital terminal functions (including the relay) can be programmed in menu 8.

The setting of Pr 1.14 and Pr 6.04 can cause the function of digital inputs T25 to T29 to change. For more information, please refer to section 11.21.1 *Reference modes* on page 209.

 The control circuits are isolated from the power circuits in the drive by basic insulation (single insulation) only. The installer must ensure that the external control circuits are insulated from human contact by at least one layer of insulation (supplementary insulation) rated for use at the AC supply voltage.

 If the control circuits are to be connected to other circuits classified as Safety Extra Low Voltage (SELV) (e.g. to a personal computer), an additional isolating barrier must be included in order to maintain the SELV classification.

 If any of the digital inputs or outputs (including the drive enable input) are connected in parallel with an inductive load (i.e. contactor or motor brake) then suitable suppression (i.e. diode or varistor) should be used on the coil of the load. If no suppression is used then over voltage spikes can cause damage to the digital inputs and outputs on the drive.



Ensure the logic sense is correct for the control circuit to be used. Incorrect logic sense could cause the motor to be started unexpectedly.  
Positive logic is the default state for Affinity drive.

**NOTE**

Any signal cables which are carried inside the motor cable (i.e. motor thermistor, motor brake) will pick up large pulse currents via the cable capacitance. The shield of these signal cables must be connected to ground close to the point of exit of the motor cable, to avoid this noise current spreading through the control system.

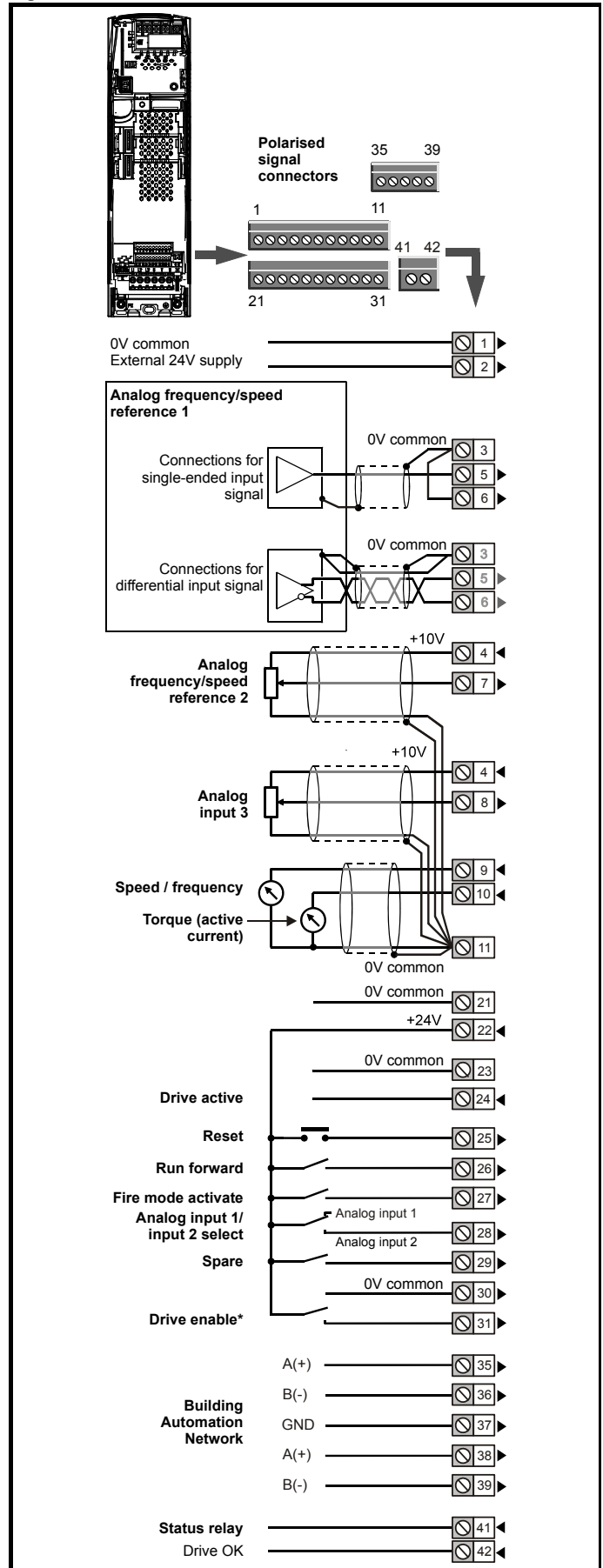
**NOTE**

The drive enable terminal is a positive logic input only. It is not affected by the setting of Pr 8.29 *Positive logic select*.

**NOTE**

The common 0V from analog signals should, wherever possible, not be connected to the same 0V terminal as the common 0V from digital signals. Terminals 3 and 11 should be used for connecting the 0V common of analog signals and terminals 21, 23 and 30 for digital signals. This is to prevent small voltage drops in the terminal connections causing inaccuracies in the analog signals.

**Figure 4-38 Default terminal functions**



\*The Drive enable terminal is a positive logic input only.

## 4.13.2 Control terminal specification

<b>1</b>	<b>0V common</b>
<b>Function</b>	<b>Common connection for all external devices</b>

<b>2</b>	<b>+24V external input</b>
<b>Function</b>	<b>To supply the control circuit without providing a supply to the power stage</b>
Nominal voltage	+24.0Vdc
Minimum continuous operating voltage	+19.2Vdc
Maximum continuous operating voltage	+30.0Vdc
Minimum start-up voltage	21.6Vdc
Recommended power supply	60W 24Vdc nominal
Recommended fuse	3A, 50Vdc

<b>3</b>	<b>0V common</b>
<b>Function</b>	<b>Common connection for all external devices</b>

<b>4</b>	<b>+10V user output</b>
<b>Function</b>	<b>Supply for external analog devices</b>
Voltage tolerance	±1%
Nominal output current	10mA
Protection	Current limit and trip @ 30mA

	<b>Precision reference Analog input 1</b>
<b>5</b>	<b>Non-inverting input</b>
<b>6</b>	<b>Inverting input</b>
<b>Default function</b>	<b>Frequency/speed reference</b>
Type of input	Bipolar differential analog (For single-ended use, connect terminal 6 to terminal 3)
Full scale voltage range	±9.8V ±1%
Absolute maximum voltage range	±36V relative to 0V
Working common mode voltage range	±13V relative to 0V
Input resistance	100kΩ ±1%
Resolution	16-bit plus sign (as speed reference)
Monotonic	Yes (including 0V)
Dead band	None (including 0V)
Jumps	None (including 0V)
Maximum offset	700μV
Maximum non linearity	0.3% of input
Maximum gain asymmetry	0.5%
Input filter bandwidth single pole	~1kHz
Sampling period	250μs with destinations as Pr 1.36, Pr 1.37 or Pr 3.22 in RFC mode. 4ms for open loop mode and all other destinations in RFC mode.

<b>7</b>	<b>Analog input 2</b>
<b>Default function</b>	<b>Frequency/speed reference</b>
Type of input	Bipolar single-ended analog voltage or unipolar current
Mode controlled by...	Pr 7.11
<b>Operating in Voltage mode</b>	
Full scale voltage range	±9.8V ±3%
Maximum offset	±30mV
Absolute maximum voltage range	±36V relative to 0V
Input resistance	>100kΩ
<b>Operating in current mode</b>	
Current ranges	0 to 20mA ±5%, 20 to 0mA ±5%, 4 to 20mA ±5%, 20 to 4mA ±5%
Maximum offset	250μA
Absolute maximum voltage (reverse bias)	-36V max
Absolute maximum current	+70mA
Equivalent input resistance	≤200Ω at 20mA
<b>Common to all modes</b>	
Resolution	10 bit + sign
Sample period	250μs when configured as voltage input with destinations as Pr 1.36, Pr 1.37, Pr 3.22 or Pr 4.08 in RFC mode. 4ms for open loop mode, all other destinations in RFC mode or any destination when configured as a current input.

<b>8</b>	<b>Analog input 3</b>
<b>Default function</b>	<b>Not configured</b>
Type of input	Bipolar single-ended analog voltage, unipolar current or motor thermistor input
Mode controlled by...	Pr 7.15
<b>Operating in Voltage mode (default)</b>	
Voltage range	±9.8V ±3%
Maximum offset	±30mV
Absolute maximum voltage range	±36V relative to 0V
Input resistance	>100kΩ
<b>Operating in current mode</b>	
Current ranges	0 to 20mA ±5%, 20 to 0mA ±5%, 4 to 20mA ±5%, 20 to 4mA ±5%
Maximum offset	250μA
Absolute maximum voltage (reverse bias)	-36V max
Absolute maximum current	+70mA
Equivalent input resistance	≤200Ω at 20mA
<b>Operating in thermistor input mode</b>	
Internal pull-up voltage	<5V
Trip threshold resistance	3.3kΩ ±10%
Reset resistance	1.8kΩ ±10%
Short-circuit detection resistance	50Ω ±40%
<b>Common to all modes</b>	
Resolution	10 bit + sign
Sample period	250μs when configured as voltage input with destinations as Pr 1.36, Pr 1.37, Pr 3.22 or Pr 4.08 in RFC mode. 4ms for open loop mode, all other destinations in RFC mode or any destination when configured as a current input.



<b>9</b>	<b>Analog output 1</b>
<b>10</b>	<b>Analog output 2</b>
Terminal 9 default function	OL> Motor FREQUENCY output signal CL> SPEED output signal
Terminal 10 default function	Motor active current
Type of output	Bipolar single-ended analog voltage or unipolar single ended current
Mode controlled by...	Pr 7.21 and Pr 7.24
<b>Operating in Voltage mode (default)</b>	
Voltage range	±10V +3%
Maximum offset	±200mV
Maximum output current	±35mA
Load resistance	1kΩ min
Protection	35mA max. Short circuit protection
<b>Operating in current mode</b>	
Current ranges	0 to 20mA±5% 4 to 20mA ±5%
Maximum offset	600μA
Maximum open circuit voltage	+15V
Maximum load resistance	600Ω
<b>Common to all modes</b>	
Resolution	10-bit (plus sign in voltage mode)
Update period	250μs when configured as a high speed output with sources as Pr 4.02, Pr 4.17 in all modes or Pr 3.02, Pr 5.03 in RFC mode. 4ms when configured as any other type of output or with all other sources.

<b>11</b>	<b>0V common</b>
Function	Common connection for all external devices

<b>21</b>	<b>0V common</b>
Function	Common connection for all external devices

<b>22</b>	<b>+24V user output (selectable)</b>
Terminal 22 default function	+24V user output
Programmability	Can be switched on or off to act as a fourth digital output (positive logic only) by setting the source Pr 8.28 and source invert Pr 8.18
Nominal output current	200mA (including all digital I/O)
Maximum output current	240mA (including all digital I/O)
Protection	Current limit and trip

<b>23</b>	<b>0V common</b>
Function	Common connection for all external devices


<b>24</b>	<b>Digital I/O 1</b>
<b>25</b>	<b>Digital I/O 2</b>
<b>26</b>	<b>Digital I/O 3</b>
Terminal 24 default function	DRIVE ACTIVE output
Terminal 25 default function	DRIVE RESET input
Terminal 26 default function	RUN FORWARD input
Type	Positive or negative logic digital inputs, positive or negative logic push-pull outputs or open collector outputs
Input / output mode controlled by...	Pr 8.31, Pr 8.32 and Pr 8.33
<b>Operating as an input</b>	
Logic mode controlled by...	Pr 8.29
Absolute maximum applied voltage range	±30V
Impedance	6kΩ
Input thresholds	10.0V ±0.8V
<b>Operating as an output</b>	
Open collector outputs selected	Pr 8.30
Nominal maximum output current	200mA (total including terminal 22)
Maximum output current	240mA (total including terminal 22)
<b>Common to all modes</b>	
Voltage range	0V to +24V
Sample / Update period	250μs when configured as an input with destinations as Pr 6.35 or Pr 6.36. 600μs when configured as an input with destination as Pr 6.29. 4ms in all other cases.

<b>27</b>	<b>Digital Input 4</b>
<b>28</b>	<b>Digital Input 5</b>
<b>29</b>	<b>Digital Input 6</b>
Terminal 27 default function	FIRE MODE ACTIVATE input
Terminal 28 default function	Analog INPUT 1 / INPUT 2 select
Terminal 29 default function	Unassigned input
Type	Negative or positive logic digital inputs
Logic mode controlled by...	Pr 8.29
Voltage range	0V to +24V
Absolute maximum applied voltage range	±30V
Impedance	6kΩ
Input thresholds	10.0V ±0.8V
Sample / Update period	250μs with destinations as Pr 6.35 or Pr 6.36. 600μs with destination as Pr 6.29. 4ms in all other cases.

<b>30</b>	<b>0V common</b>
Function	Common connection for all external devices

<b>31</b>	<b>Drive enable</b>
Type	Positive logic only digital input
Voltage range	0V to +24V
Absolute maximum applied voltage	±30V
Thresholds	15.5V ±2.5V
Response time	Nominal: 8ms Maximum: 20ms

<b>41</b>	<b>Relay contacts</b>
<b>42</b>	
<b>Default function</b>	<b>Drive OK indicator</b>
Contact voltage rating	240Vac, Installation over-voltage category II
Contact maximum current rating	2A AC 240V 4A DC 30V resistive load 0.5A DC 30V inductive load (L/R = 40ms)
Contact minimum recommended rating	12V 100mA
Contact type	Normally open
Default contact condition	Closed when power applied and drive OK
Update period	4ms

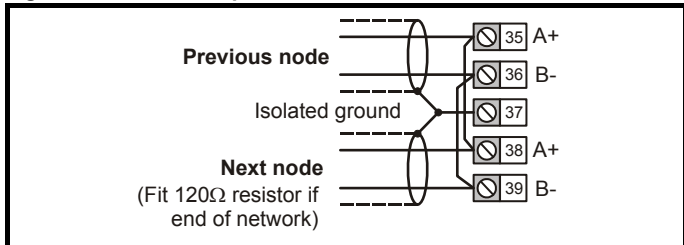
 A fuse or other over-current protection should be installed to the relay circuit.

**WARNING**

#### 4.14 Building automation network connections

<b>35</b>	<b>Previous node A(+)</b>
<b>36</b>	<b>Previous node B (-)</b>
<b>37</b>	<b>Isolated ground</b>
<b>38</b>	<b>Next node A(+)</b>
<b>39</b>	<b>Next node B(-)</b>
<b>Cable specification</b>	Shielded twisted pair
	Characteristic impedance: 100 to 130Ω
	Capacitance between conductors: <100 pF
	Maximum length: 1200m with AWG 18 cable
<b>Termination resistor</b>	120Ω

Figure 4-39 Multi-drop connection



#### 4.15 Heatsink fan supply connections (size 4 to 6)

<b>52</b>	<b>Heatsink fan connections</b>
<b>53</b>	
<b>54</b>	
<b>55</b>	
No user connections	

##### 4.15.1 Heatsink fan supply connections (size 6 only)

<b>60</b>	<b>No connection</b>
<b>61</b>	
<b>62</b>	
<b>63</b>	
No user connections	

<b>64</b>	<b>0V</b>
<b>65</b>	<b>24V heatsink fan supply</b>
<b>Function</b>	<b>To provide the power supply to the heatsink mounted fan</b>
Nominal voltage	24Vdc
Minimum continuous operating voltage	23.5V
Maximum continuous operating voltage	27V
Current consumption	3.3A
Recommended power supply	24V, 100W, 4.5A
Recommended fuse	4A fast blow (I <sup>2</sup> t less than 20A <sup>2</sup> s)

## 5 Getting started

This chapter introduces the user interfaces, menu structure and security level of the drive.

### 5.1 Understanding the display

There is one keypad available for the Affinity. The BA-Keypad has an LCD display and is installed on the drive as standard.

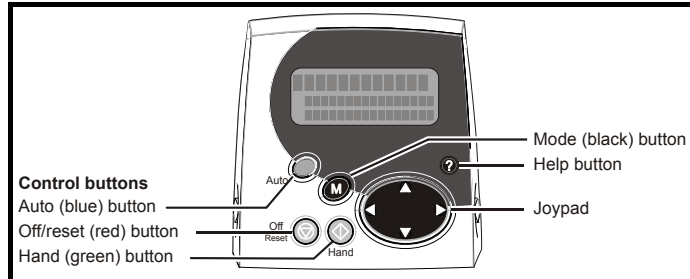
#### 5.1.1 BA-Keypad (LCD)

The display consists of three lines of text.

The top line shows the drive status or the current menu and parameter number being viewed on the left, and the parameter value or the specific trip type on the right.

The lower two lines show the parameter name or the help text.

**Figure 5-1 BA-Keypad**



**NOTE** The red off  button is also used to reset the drive.

The BA-Keypad Plus can indicate when a SMARTCARD access is taking place, when the second motor map is active (menu 21) or when solution module parameters are displayed. These are indicated on the displays as follows.

Event	Keypad
SMARTCARD access taking place	The symbol 'CC' will appear in the lower left hand corner of the display
Second motor map active	The symbol 'Mot2' will appear in the lower left hand corner of the display
Solutions module parameters displayed	The symbol 'Opx' will appear in the left hand corner of the display

### 5.2 Keypad operation

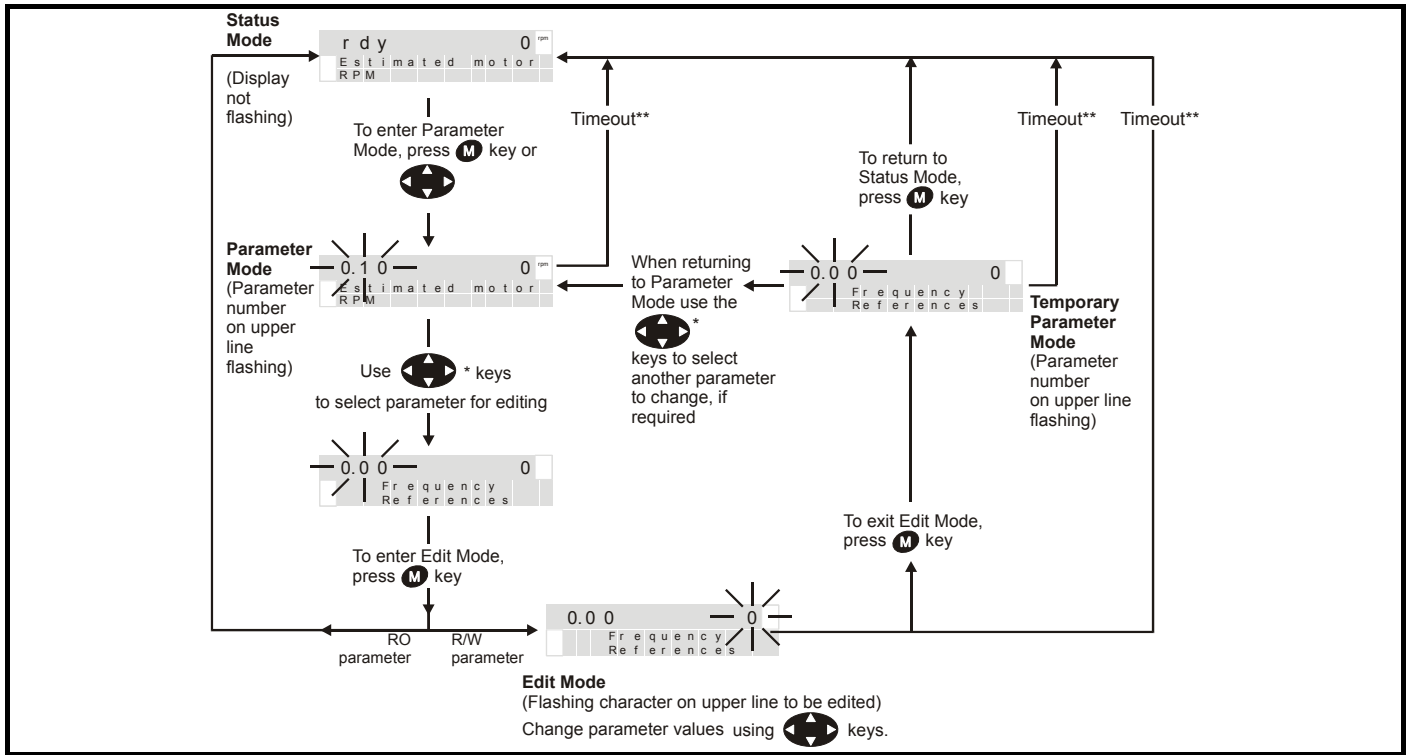
#### 5.2.1 Control buttons

The keypad consists of:

1. Joypad - used to navigate the parameter structure and change parameter values.
2. Mode button - used to change between the display modes – parameter view, parameter edit, status.
3. Three control buttons - used to select Hand / Off / Auto modes
4. Help button - displays text briefly describing the selected parameter.

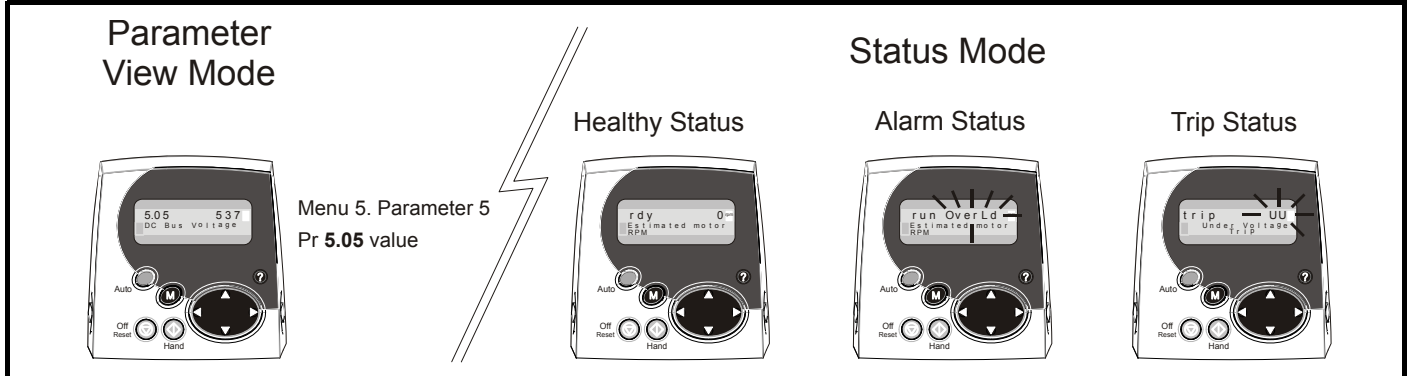
The Help button toggles between other display modes and parameter help mode. The up and down functions on the joypad scroll the help text to allow the whole string to be viewed. The right and left functions on the joypad have no function when help text is being viewed.

**Figure 5-2 Display modes**



\* can only be used to move between menus if L2 access has been enabled (Pr 0.49). Refer to section 5.10 on page 95.  
 \*\*Timeout defined by Pr 11.41 (default value = 240s).

**Figure 5-3 Mode examples**



**WARNING**  
Do not change parameter values without careful consideration; incorrect values may cause damage or a safety hazard.

**NOTE**  
When changing the values of parameters, make a note of the new values in case they need to be entered again.

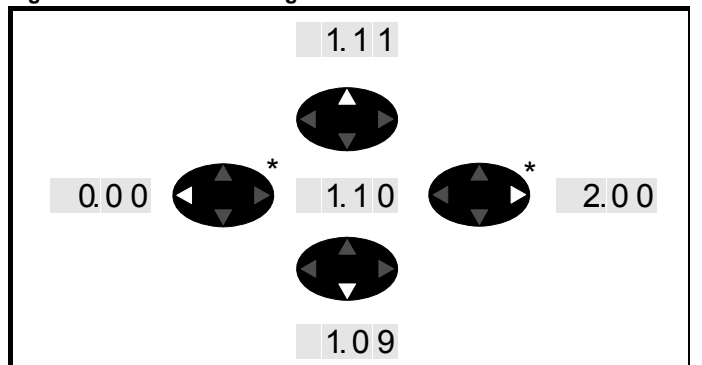
**NOTE**  
For new parameter-values to apply after the AC supply to the drive is interrupted, new values must be saved. Refer to section 5.8 *Saving parameters* on page 95.

**5.3 Menu structure**

The drive parameter structure consists of menus and parameters. The drive initially powers up so that only menu 0 can be viewed. The up and down arrow buttons are used to navigate between parameters and once level 2 access (L2) has been enabled (see Pr 0.49) the left and right buttons are used to navigate between menus. For further

information, refer to section 5.10 *Parameter access level and security* on page 95.

**Figure 5-4 Parameter navigation**



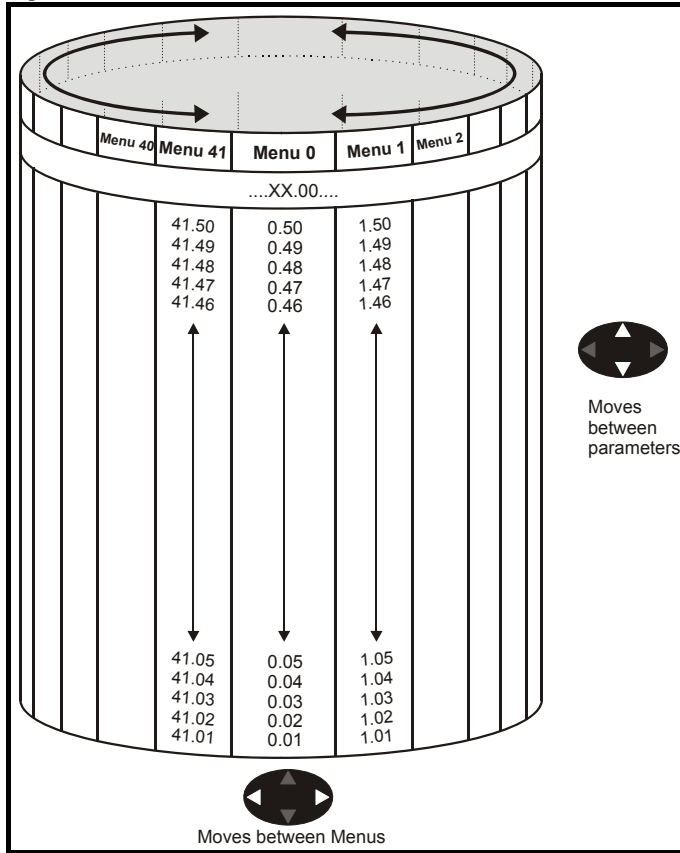
\* can only be used to move between menus if L2 access has been enabled (Pr 0.49). Refer to section 5.10 *Parameter access level and security* on page 95.

The menus and parameters roll over in both directions.

i.e. if the last parameter is displayed, a further press will cause the display to rollover and show the first parameter.

When changing between menus the drive remembers which parameter was last viewed in a particular menu and thus displays that parameter.

Figure 5-5 Menu structure



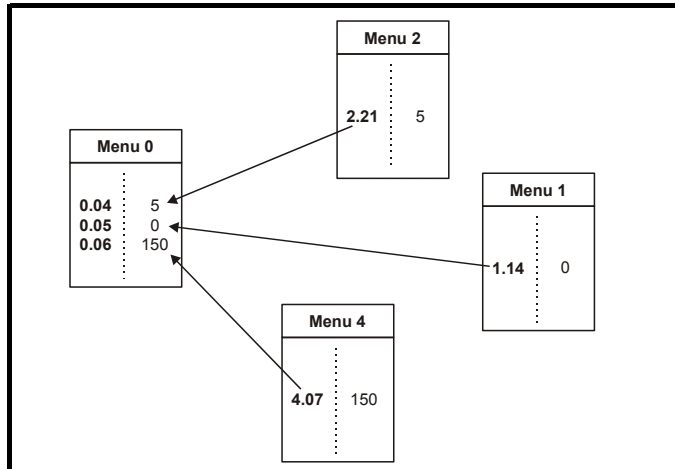
## 5.4 Menu 0

Menu 0 is used to bring together various commonly used parameters for basic easy set up of the drive.

Appropriate parameters are copied from the advanced menus into menu 0 and thus exist in both locations.

For further information, refer to Chapter 6 *Basic parameters* on page 99.

Figure 5-6 Menu 0 copying



## 5.5 Advanced menus

The advanced menus consist of groups or parameters appropriate to a specific function or feature of the drive.

Table 5-1 Advanced menu descriptions

Menu	Description
0	Commonly used basic set up parameters for quick / easy programming
1	Frequency / speed reference
2	Ramps
3	Slave frequency, speed feedback and speed control
4	Torque and current control
5	Motor control
6	Sequencer and clock
7	Analog I/O
8	Digital I/O
9	Programmable logic, motorized pot and binary sum
10	Status and trips
11	General drive set-up
12	Threshold detectors and variable selectors
14	User PID controller
15, 16	Solutions Module set-up
17	Building automation network
18	Application menu 1
19	Application menu 2
20	Application menu 3
21	Second motor parameters
22	Additional Menu 0 set-up
40	Keypad configuration menu
41	User filter menu

### 5.5.1 Keypad set-up menus

Table 5-2 Menu 40 parameter descriptions

Parameter	Range(⇅)
40.00	Parameter 0 0 to 32767
40.01	Language selection English (0), Custom (1), French (2), German (3), Spanish (4), Italian (5)
40.02	Software version 999999
40.03	Save to flash Idle (0), Save (1), Restore (2), Default (3)
40.04	LCD contrast 0 to 31
40.05	Drive and attribute database upload was bypassed Updated (0), Bypass (1)
40.06	Browsing favourites control Normal (0), Filter (1)
40.07	Keypad security code 0 to 999
40.08	Communication channel selection Disable (0), Slot1 (1), Slot2 (2), Slot3 (3), Slave (4), Direct (5)
40.09	Hardware key code 0 to 999
40.10	Drive node ID (Address) 0 to 255
40.11	Flash ROM memory size 4Mbit (0), 8Mbit (1)
40.19	String database version number 0 to 999999
40.20	Screen saver strings and enable None (0), Default (1), User (2)
40.21	Screen saver interval 0 to 600
40.22	Turbo browse time interval 0 to 200ms
40.23	Product identification Unidrive SP (0), Commander SK (1), Mentor MP (2), Commander GP20 (3) Affinity (4), Digitax (5)

**Table 5-3 Menu 41 parameter descriptions**

Parameter	Range(⇅)
41.00	Parameter 0
41.01 to 41.50	Browsing filter source F01 to F50
41.51	Browsing favourites control
	Pr 0.00 to Pr 391.51
	Normal (0), Filter (1)

### 5.5.2 Display messages

The following tables indicate the various possible mnemonics which can be displayed by the drive and their meaning.

Trip types are not listed here but can be found in Chapter 6 *Basic parameters* on page 99 if required.

**Table 5-4 Alarm indications**

Lower display	Description
<b>br.rS</b>	Braking resistor overload
	Braking resistor I <sup>2</sup> t accumulator (Pr 10.37) in the drive has reached 75.0% of the value at which the drive will trip and the braking IGBT is active.
<b>Hot</b>	Heatsink or control board or inverter IGBT over temperature alarms are active
	<ul style="list-style-type: none"> <li>The drive heatsink temperature has reached a threshold and the drive will trip 'Oh2' if the temperature continues to rise (see the 'Oh2' trip).</li> </ul> or <ul style="list-style-type: none"> <li>The ambient temperature around the control PCB is approaching the over temperature threshold (see the 'O.CtL' trip).</li> </ul>
<b>OVLd</b>	Motor overload
	The motor I <sup>2</sup> t accumulator in the drive has reached 75% of the value at which the drive will be tripped and the load on the drive is >100%
<b>Auto tune</b>	Autotune in progress
	The autotune procedure has been initialised. 'Auto' and 'tunE' will flash alternatively on the display.
<b>Lt</b>	Limit switch is active
	Indicates that a limit switch is active and that it is causing the motor to be stopped (i.e. forward limit switch with forward reference etc.)
<b>PLC</b>	Onboard PLC program is running
	An Onboard PLC program is installed and running. The display will flash 'PLC' once every 10s.

**Table 5-5 Status indications**

Upper display	Description	Drive output stage
<b>ACUU</b>	AC Supply loss	Enabled
	The drive has detected that the AC supply has been lost and is attempting to maintain the DC bus voltage by decelerating the motor.	
<b>Auto</b>	Auto mode	Enabled
	The drive is running in Auto mode	
<b>dc</b>	DC applied to the motor	Enabled
	The drive is applying DC injection braking.	
<b>dEC</b>	Decelerating	Enabled
	The drive is decelerating the motor.	
<b>Hand</b>	Hand mode	Enabled
	The drive is running in Hand mode	
<b>Heat</b>	Motor pre-heat	Enabled
	Motor pre-heat active	
<b>inh</b>	Inhibit	Disabled
	The drive is inhibited and cannot be run. The drive enable signal is not applied to terminal 31 or Pr 6.15 is set to 0.	
<b>Off</b>	Drive is stopped	Disabled
	Drive is stopped	
<b>run</b>	Drive running	Enabled
	Drive is running with Hand / Off / Auto functions disabled	
<b>rdY</b>	Ready	Disabled
	The drive is ready to be run.	
<b>StoP</b>	Stop or holding zero speed	Enabled
	The drive is holding zero speed.	
<b>trip</b>	Trip condition	Disabled
	The drive has tripped and is no longer controlling the motor. The trip code appears on the right hand side of the top row of the display.	

**Table 5-6 Solutions Module and SMARTCARD status indications on power-up**

Lower display	Description
<b>boot</b>	A parameter set is being transferred from the SMARTCARD to the drive during power-up. For further information, please refer to section 9.2.4 <i>Booting up from the SMARTCARD on every power up (Pr 11.42 = boot (4))</i> on page 128.
<b>cArd</b>	The drive is writing a parameter set to the SMARTCARD during power-up. For further information, please refer to section 9.2.3 <i>Auto saving parameter changes (Pr 11.42 = Auto (3))</i> on page 128.
<b>loAding</b>	The drive is writing information to a Solutions Module.

## 5.6 Changing the operating mode

Changing the operating mode returns all parameters to their default value, including the motor parameters. (Pr **0.49 Security status** and Pr **0.34 User security code** are not affected by this procedure.)


### Procedure

Use the following procedure only if a different operating mode is required:

1. Ensure the drive is not enabled, i.e. terminal 31 is open or Pr **6.15** is Off (0)
2. Enter either of the following values in Pr **xx.00**, as appropriate:  
1253 (EUR, 50Hz AC supply frequency)  
1254 (USA, 60Hz AC supply frequency)
3. Change the setting of Pr **0.48** as follows:

The figures in the second column apply when serial communications are used.

Pr 0.48 setting		Operating mode
0.48 OPEn LP	1	Open-loop
0.48 r f c	2	RFC mode

4. Either:
  - Press the red  reset button
  - Toggle the reset digital input
  - Carry out a drive reset through serial communications by setting Pr **10.38** to 100 (ensure that Pr **xx.00** returns to 0).

### NOTE

Entering 1253 or 1254 in Pr **xx.00** will only load defaults if the setting of Pr **0.48** has been changed.

## 5.7 Changing the keypad mode

The keypad mode can be selected for Hand, Off or Auto by using the keypad buttons


- Blue - Auto
- Red - Off
- Green - Hand

In Hand mode, the motor speed is adjusted by pressing the keypad up/down arrow buttons. If Hand mode is selected from Auto mode then the transition is bumpless, so the motor speed will not change.

In Auto mode, the motor speed control reference is determined by the value set in the speed/frequency reference selector Pr **0.05**.

In Off mode, the motor will be stopped but pressing the keypad up/down arrow buttons will allow the keypad control reference Pr **1.17** to be adjusted. Selecting Hand mode will then ramp the motor up to the selected speed.

## 5.8 Saving parameters


When changing a parameter in Menu 0, the new value is saved when pressing the  Mode button to return to parameter view mode from parameter edit mode.

If parameters have been changed in the advanced menus, then the change will not be saved automatically. A save function must be carried out.

### Procedure

Enter 1000\* in Pr. **xx.00**

Either:


- Press the red  reset button
- Toggle the reset digital input
- Carry out a drive reset through serial communications by setting Pr **10.38** to 100 (ensure that Pr **xx.00** returns to 0).

\*If the drive is in the under voltage trip state or is being supplied from a low voltage DC supply, a value of 1001 must be entered into Pr **xx.00** to perform a save function.

## 5.9 Restoring parameter defaults

Restoring parameter defaults by this method saves the default values in the drive's memory. (Pr **0.49** and Pr **0.34** are not affected by this procedure.)

### Procedure

1. Ensure the drive is not enabled, i.e. terminal 31 is open or Pr **6.15** is Off (0)
2. Enter 1233 (EUR 50Hz settings) or 1244 (USA 60Hz settings) in Pr **xx.00**.
3. Either:
  - Press the red  reset button
  - Toggle the reset digital input
  - Carry out a drive reset through serial communications by setting Pr **10.38** to 100 (ensure that Pr **xx.00** returns to 0).

## 5.10 Parameter access level and security

The parameter access level determines whether the user has access to menu 0 only or to all the advanced menus (menus 1 to 22) in addition to menu 0.

The User Security determines whether the access to the user is read only or read write.

Both the User Security and Parameter Access Level can operate independently of each other as shown in the table below:

Parameter Access Level	User Security	Menu 0 status	Advanced menus status
L1	Open	RW	Not visible
L1	Closed	RO	Not visible
L2	Open	RW	RW
L2	Closed	RO	RO

RW = Read / write access      RO = Read only access

The default settings of the drive are Parameter Access Level L1 and user Security Open, i.e. read / write access to Menu 0 with the advanced menus not visible.

### 5.10.1 Access Level

The access level is set in Pr 0.49 and allows or prevents access to the advanced menu parameters.

**L1 access selected - Menu 0 only visible**

Pr 0.00			
Pr 0.01			
Pr 0.02			
Pr 0.03			
Pr 0.49			
Pr 0.50			

**L2 access selected - All parameters visible**

Pr 0.00	Pr 1.00	.....	Pr 21.00	Pr 22.00
Pr 0.01	Pr 1.01	.....	Pr 21.01	Pr 22.01
Pr 0.02	Pr 1.02	.....	Pr 21.02	Pr 22.02
Pr 0.03	Pr 1.03	.....	Pr 21.03	Pr 22.03
		.....		
		.....		
Pr 0.49	Pr 1.49	.....	Pr 21.30	Pr 22.28
Pr 0.50	Pr 1.50	.....	Pr 21.31	Pr 22.29

### 5.10.2 Changing the Access Level

The Access Level is determined by the setting of Pr 0.49 as follows:

String	Value	Effect
L1	0	Access to menu 0 only
L2	1	Access to all menus (menu 0 to menu 22)

The Access Level can be changed through the keypad even if the User Security has been set.

### 5.10.3 User Security

The User Security, when set, prevents write access to any of the parameters (other than Pr. 0.49 and Pr 11.44 Access Level) in any menu.

**User security open - All parameters: Read / Write access**

Pr 0.00	Pr 1.00	.....	Pr 21.00	Pr 22.00
Pr 0.01	Pr 1.01	.....	Pr 21.01	Pr 22.01
Pr 0.02	Pr 1.02	.....	Pr 21.02	Pr 22.02
Pr 0.03	Pr 1.03	.....	Pr 21.03	Pr 22.03
		.....		
		.....		
Pr 0.49	Pr 1.49	.....	Pr 21.30	Pr 22.28
Pr 0.50	Pr 1.50	.....	Pr 21.31	Pr 22.29

**User security closed - All parameters: Read Only access (except Pr 0.49 and Pr 11.44)**

Pr 0.00	Pr 1.00	.....	Pr 21.00	Pr 22.00
Pr 0.01	Pr 1.01	.....	Pr 21.01	Pr 22.01
Pr 0.02	Pr 1.02	.....	Pr 21.02	Pr 22.02
Pr 0.03	Pr 1.03	.....	Pr 21.03	Pr 22.03
		.....		
		.....		
Pr 0.49	Pr 1.49	.....	Pr 21.30	Pr 22.28
Pr 0.50	Pr 1.50	.....	Pr 21.31	Pr 22.29

#### Setting User Security

Enter a value between 1 and 999 in Pr 0.34 and press the **M** button; the security code has now been set to this value. In order to activate the security, the Access level must be set to Loc in Pr 0.49. When the drive is reset, the security code will have been activated and the drive returns to Access Level L1. The value of Pr 0.34 will return to 0 in order to hide the security code. At this point, the only parameter that can be changed by the user is the Access Level Pr 0.49.

#### Unlocking User Security

Select a read write parameter to be edited and press the **M** button, the display will now show CodE. Use the arrow buttons to set the security code and press the **M** button.

With the correct security code entered, the display will revert to the parameter selected in edit mode.

If an incorrect security code is entered the display will revert to parameter view mode.

To lock the User Security again, set Pr 0.49 to Loc and press the **↻** reset button.

#### Disabling User Security

Unlock the previously set security code as detailed above. Set Pr 0.34 to 0 and press the **M** button. The User Security has now been disabled, and will not have to be unlocked each time the drive is powered up to allow read / write access to the parameters.



## 5.11 Displaying parameters with non-default values only

By entering 12000 in Pr **xx.00**, the only parameters that will be visible to the user will be those containing a non-default value. This function does not require a drive reset to become active. In order to deactivate this function, return to Pr **xx.00** and enter a value of 0.

Please note that this function can be affected by the access level enabled, refer to *section 5.10 Parameter access level and security* for further information regarding access level.

## 5.12 Displaying destination parameters only

By entering 12001 in Pr **xx.00**, the only parameters that will be visible to the user will be destination parameters. This function does not require a drive reset to become active. In order to deactivate this function, return to Pr **xx.00** and enter a value of 0.

Please note that this function can be affected by the access level enabled, refer to *section 5.10 Parameter access level and security* for further information regarding access level.

## 5.13 Communications

### 5.13.1 Introduction

The Affinity has a PC communications interface and a Building Automation Network interface. The PC communications interface enables all drive set-up, operation and monitoring to be carried out with a PC or controller if required. Therefore, it is possible to control the drive entirely by serial communications without the need for a BA-keypad or other control cabling. The PC communications interface supports two protocols selected by parameter configuration:

- Modbus RTU
- CT ANSI

Modbus RTU has been set as the default protocol, as it is used with the PC-tools commissioning/start-up software as provided on the CD ROM.

The PC communications port of the drive is a RJ45 socket, which is isolated from the power stage and the other control terminals (see *section 4.12 PC communications connections* for connection and isolation details).

The communications port applies a 2 unit load to the communications network.

#### USB/EIA232 to EIA485 Communications

An external USB/EIA232 hardware interface such as a PC cannot be used directly with the 2-wire PC communications interface of the drive. Therefore a suitable converter is required.

Suitable USB to EIA485 and EIA232 to EIA485 isolated converters are available from Control Techniques as follows:

- CT USB Comms cable (CT Part No. 4500-0096)
- CT EIA232 Comms cable (CT Part No. 4500-0087)

When using one of the above converters or any other suitable converter with the Affinity, it is recommended that no terminating resistors be connected on the network. It may be necessary to 'link out' the terminating resistor within the converter depending on which type is used. The information on how to link out the terminating resistor will normally be contained in the user information supplied with the converter.

The Building Automation Network enables connection to a building automation system using the following protocols:

- Modbus RTU slave
- BACnet
- Metasys N2

## 5.13.2 Building automation network communications set-up parameters

17.03		MAC/Node Address										
RW	Uni										US	
⇅		0 to 65535						⇒	1			

Allowable MAC Address Values				
Protocol	Master/Slave	Minimum	Maximum	Broadcast
Modbus RTU	Slave	1	247	0
BACnet	Master	0	127	255
Metasys N2	Slave	1	255	0

If a MAC address is selected that is greater than that allowed by the currently selected protocol then the actual address used will be the maximum valid address value.

\*The Affinity drive is a BACnet master device and as such will instigate I-Am messages onto the BACnet network. These messages allow other BACnet master devices to determine the capabilities of the Affinity drive.

17.04		Baud rate										
RW	Uni										US	
⇅		0 to 127						⇒	0			

This selects the baud rate used for network communication.

Pr 17.04 value	Baud rate (bps)
0	Protocol default value (see table below)
1	1200
2	2400
3	4800
4	9600
5	19200
6	38400
7	57600
8	76800
>8	Protocol default value (see table below)

The default value when Pr **17.04** is set to 0 or >8 is as follows:

Protocol	Default baud rate (bps)
Modbus RTU	9600
BACnet	19200
Metasys N2	9600

17.05		Building Automation Network protocol										
RW	Uni										US	
⇅		0 to 65535						⇒	0			

This selects the protocol used for the Building Automation Network as follows:

17.05	Protocol
0	Disabled
1	Modbus RTU
2	BACnet
3	Metasys N2

If a value greater than 2 is entered for Pr **17.05** then the Building Automation Network is disabled.

<b>17.10</b>		<b>Device Object Identifier</b>												
RW	Bi												US	
↕		-32767 to 32767								⇒	0			

#### BACnet

If this parameter is zero then the MAC/Node address selected in Pr **xx.03** will be used as the object identifier for the BACnet device; otherwise the device object identifier will be the value specified here.

If the node address is also set to zero then the Device Object Identifier value will be set to 1.

<b>17.38</b>		<b>Data format</b>												
RW	Uni												US	
↕		0 to 255								⇒	0			

This selects the data transmission format used for the selected protocol.

17.38	Description			
	Start bits	Data bits	Parity	Stop bits
0	Protocol default value (see table below)			
1	1	8	None	1
2	1	8	None	2
3	1	8	Even	1
4	1	8	Odd	1
>4	Protocol default value (see table below)			

The default value when Pr **17.38** is set to 0 or >4 is as follows:

Protocol	Description			
	Start bits	Data bits	Parity	Stop bits
Modbus RTU	1	8	None	2
BACnet	1	8	None	1
Metasys N2	1	8	None	1

### 5.13.3 PC communications set-up parameters

The following parameters need to be set according to the system requirements.

<b>0.35 {11.24}</b>		<b>PC comms mode</b>												
RW	Txt												US	
↕		AnSI (0) rtU (1)								⇒	rtU (1)			

This parameter defines the communications protocol used by the 485 comms port on the drive. This parameter can be changed via the drive keypad, via a Solutions Module or via the comms interface itself. If it is changed via the comms interface, the response to the command uses the original protocol. The master should wait at least 20ms before send a new message using the new protocol. (Note: ANSI uses 7 data bits, 1 stop bit and even parity; Modbus RTU uses 8 data bits, 2 stops bits and no parity.)

Comms value	String	Communications mode
0	AnSI	ANSI
1	rtU	Modbus RTU protocol
2	Lcd	Modbus RTU protocol, but with a keypad only

#### ANSI3.28 protocol

Full details of the CT ANSI communications protocol are the *Advanced User Guide*.

#### Modbus RTU protocol

Full details of the CT implementation of Modbus RTU are given in the *Advanced User Guide*.

#### Modbus RTU protocol, but with a keypad only

This setting is used for disabling communications access when the BA-Keypad is used as a hardware key. See the *Advanced User Guide* for more details.

<b>0.36 {11.25}</b>		<b>PC comms baud rate</b>												
RW	Txt												US	
↕		300 (0), 600 (1), 1200 (2), 2400 (3), 4800 (4), 9600 (5), 19200 (6), 38400 (7), 57600 (8)*, 115200 (9)*								⇒	19200 (6)			

\* only applicable to Modbus RTU mode

This parameter can be changed via the drive keypad, via a Solutions Module or via the comms interface itself. If it is changed via the comms interface, the response to the command uses the original baud rate. The master should wait at least 20ms before sending a new message using the new baud rate.

#### NOTE

When using the CT EIA232 Comms cable the available baud rate is limited to 19.2k baud.

<b>0.37 {11.23}</b>		<b>PC comms address</b>												
RW	Txt												US	
↕		0 to 247								⇒	1			

Used to define the unique address for the drive for the serial interface. The drive is always a slave.

#### Modbus RTU

When the Modbus RTU protocol is used addresses between 0 and 247 are permitted. Address 0 is used to globally address all slaves, and so this address should not be set in this parameter

#### ANSI

When the ANSI protocol is used the first digit is the group and the second digit is the address within a group. The maximum permitted group number is 9 and the maximum permitted address within a group is 9. Therefore, Pr **0.37** is limited to 99 in this mode. The value 00 is used to globally address all slaves on the system, and x0 is used to address all slaves of group x, therefore these addresses should not be set in this parameter.

## 6 Basic parameters

Menu 0 is used to bring together various commonly used parameters for basic easy set up of the drive. All the parameters in menu 0 appear in other menus in the drive (denoted by {...}).

Menus 11 and 22 can be used to change most of the parameters in menu 0. Menu 0 can also contain up to 59 parameters by setting up menu 22.

### 6.1 Single line descriptions

Table 6-1 Single line descriptions

Parameter			Range(⇅)		Default(⇄)	
			OL	RFC	OL	RFC
0.00	xx.00	{x.00}	0 to 32,767		0	
0.01	Minimum reference clamp	{1.07}	±3,000.0Hz	±SPEED_LIMIT_MAX Hz/rpm	0.0	
0.02	Maximum reference clamp	{1.06}	0 to 3,000.0Hz	SPEED_LIMIT_MAX Hz/rpm	EUR> 50.0 USA> 60.0	EUR> 1,500.0 USA> 1800.0
0.03	Acceleration rate	{2.11}	0.0 to 3,200.0 s/100Hz	0.000 to 3,200.000 s/1,000rpm	EUR> 40.0 USA> 33.3	EUR> 13.333 USA> 11.111
0.04	Deceleration rate	{2.21}	0.0 to 3,200.0 s/100Hz	0.000 to 3,200.000 s/1,000rpm	EUR> 40.0 USA> 33.3	EUR> 13.333 USA> 11.111
0.05	Reference select	{1.14}	A1.A2 (0), A1.Pr (1), A2.Pr (2), Pr (3), PAd (4), Prc (5)		A1.A2 (0)	
0.06	Current limit	{4.07}	0 to CURRENT_LIMIT_MAX %		110	
0.07	OL> Voltage mode select	{5.14}	Ur_S (0), Ur (1), Fd (2), Ur_Auto (3), Ur_I (4), SrE (5)		Fd (2)	
	RFC> Speed controller P gain	{3.10}	0.0000 to 6.5535 1/rad s <sup>-1</sup>		0.0300	
0.08	OL> Voltage boost	{5.15}	0.0 to 25.0% of motor rated voltage		Size 1 to 3: 3.0 Size 4 & 5: 2.0 Size 6: 1.0	
	RFC> Speed controller I gain	{3.11}	0.00 to 655.35 1/rad		0.10	
0.09	OL> Dynamic V/F	{5.13}	OFF (0) or On (1)		OFF (0)	
	RFC> Speed controller D gain	{3.12}	0.00000 to 0.65535 (s)		0.00000	
0.10	OL> Estimated motor speed	{5.04}	±180,000 rpm			
	RFC> Motor speed	{3.02}	±SPEED_MAX rpm			
0.11	Drive output frequency	{5.01}	±SPEED_FREQ_MAX Hz	±1250 Hz		
0.12	Total motor current	{4.01}	0 to DRIVE_CURRENT_MAX A			
0.13	Percentage load	{4.20}	±USER_CURRENT_MAX %			
0.14	Ramp mode select	{2.04}	FASt (0) Std (1) Std.hV (2)	FASt (0) Std (1)	Std (1)	
0.15	Sleep/wake threshold	{6.53}	±SPEED_FREQ_MAX Hz/rpm		0.0	
0.16	Sleep/wake delay time	{6.54}	0.0 to 250.0 s		10.0	
0.17	RFC> Current demand filter 1	{4.12}	0.0 to 25.0 ms		0.0	
0.18	Spin start boost	{5.40}	0.0 to 10.0		1.0	
0.19	Analog input 2 mode	{7.11}	0-20 (0), 20-0 (1), 4-20tr (2), 20-4tr (3), 4-20 (4), 20-4 (5), VOLt (6)		4-20 (4)	
0.20	Analog input 2 destination	{7.14}	Pr 0.00 to Pr 50.99		Pr 1.37	
0.21	Analog input 3 mode	{7.15}	0-20 (0), 20-0 (1), 4-20tr (2), 20-4tr (3), 4-20 (4), 20-4 (5), VOLt (6), th.SC (7), th (8), th.diSp (9)		VOLt (6)	
0.22	Date	{6.16}	0 to 311299			
0.23	Time	{6.17}	0.00 to 23.59			
0.24	Date/Time selector	{6.19}	0 to 5		3	
0.25	Date format	{6.20}	Std (0), Std.ds (1), US (2), US.ds (3)		EUR> Std (0), USA> US (2)	
0.26	Low load detection level	{4.27}	0.0 to 100.0 %		0.0	
0.27	Low load detection speed / frequency threshold	{4.28}	0.0 to +SPEED_FREQ_MAX Hz/rpm		0.0	
0.28	Trip on abnormal load detection	{4.29}	OFF (0) or On (1)		OFF (0)	
0.29	SMARTCARD parameter data	{11.36}	0 to 999		0	
0.30	Parameter cloning	{11.42}	nonE (0), rEAd (1), Prog (2), AutO (3), boot (4)		nonE (0)	
0.31	Drive rated voltage	{11.33}	200 (0), 400 (1), 575 (2), 690 (3) V			
0.32	Drive current scaling	{11.32}	0.00 to 9999.99A			
0.33	Catch a spinning motor	{6.09}	0 to 3	0 to 1	0	1
0.34	User security code	{11.30}	0 to 999		0	
0.35	PC comms mode	{11.24}	AnSI (0), rU (1), Lcd (2)		rU (1)	
0.36	PC comms baud rate	{11.25}	300 (0), 600 (1), 1200 (2), 2400 (3), 4800 (4), 9600 (5), 19200 (6), 38400 (7), 57600 (8) Modbus RTU only, 115200 (9) Modbus RTU only		19200 (6)	
0.37	PC comms address	{11.23}	0 to 247		1	
0.38	Hold zero speed / Motor pre-heat enable	{6.08}	OFF (0) or On (1)		OFF (0)	

Parameter			Range(↕)		Default(↔)	
			OL	RFC	OL	RFC
<b>0.39</b>	Motor pre-heat current magnitude	{ <b>6.52</b> }	0 to 100 %		0	
<b>0.40</b>	Autotune	{ <b>5.12</b> }	0 to 2	0 to 4	0	
<b>0.41</b>	Maximum switching frequency	{ <b>5.18</b> }	3 (0), 4 (1), 6 (2), 8 (3), 12 (4), 16 (5) kHz		3 (0)	
<b>0.42</b>	No. of motor poles	{ <b>5.11</b> }	0 to 60 (Auto to 120 pole)		0 (Auto)	
<b>0.43</b>	Motor rated power factor	{ <b>5.10</b> }	0.000 to 1.000		0.850	
<b>0.44</b>	Motor rated voltage	{ <b>5.09</b> }	0 to AC_VOLTAGE_SET_MAX V		200V drive: 230 400V drive: EUR> 400, USA> 460 575V drive: 575 690V drive: 690	
<b>0.45</b>	Motor rated full load speed (rpm)	{ <b>5.08</b> }	0 to 180,000 rpm	0.00 to 40,000.00 rpm	EUR> 1,500 USA> 1,800	EUR> 1,450.00 USA> 1,770.00
<b>0.46</b>	Motor rated current	{ <b>5.07</b> }	0 to RATED_CURRENT_MAX A		Drive rated current [ <b>11.32</b> ]	
<b>0.47</b>	Rated frequency	{ <b>5.06</b> }	0 to 3,000.0 Hz	0 to 1,250.0 Hz	EUR> 50.0 USA> 60.0	
<b>0.48</b>	Operating mode selector	{ <b>11.31</b> }	OPEn LP (1), RFC (2),		OPEn LP (1)	RFC (2)
<b>0.49</b>	Security status	{ <b>11.44</b> }	L1 (0), L2 (1), Loc (2)			
<b>0.50</b>	Software version	{ <b>11.29</b> }	1.00 to 99.99			
<b>0.51</b>	Positive logic select	{ <b>8.29</b> }	OFF (0) or On (1)		On (1)	
<b>0.52</b>	Timer 1 start date	{ <b>9.35</b> }	0 to 311299		0	
<b>0.53</b>	Timer 1 start time	{ <b>9.36</b> }	0.00 to 23.59		0.00	
<b>0.54</b>	Timer 1 stop date	{ <b>9.37</b> }	0 to 311299		0	
<b>0.55</b>	Timer 1 stop time	{ <b>9.38</b> }	0.00 to 23.59		0.00	
<b>0.56</b>	Timer 1 repeat function	{ <b>9.39</b> }	0 to 6		0	
<b>0.57</b>	Timer 1 enable	{ <b>9.40</b> }	OFF (0) or On (1)		OFF (0)	
<b>0.58</b>	Timer 1 destination	{ <b>9.43</b> }	Pr <b>0.00</b> to Pr <b>50.99</b>		Pr <b>0.00</b>	

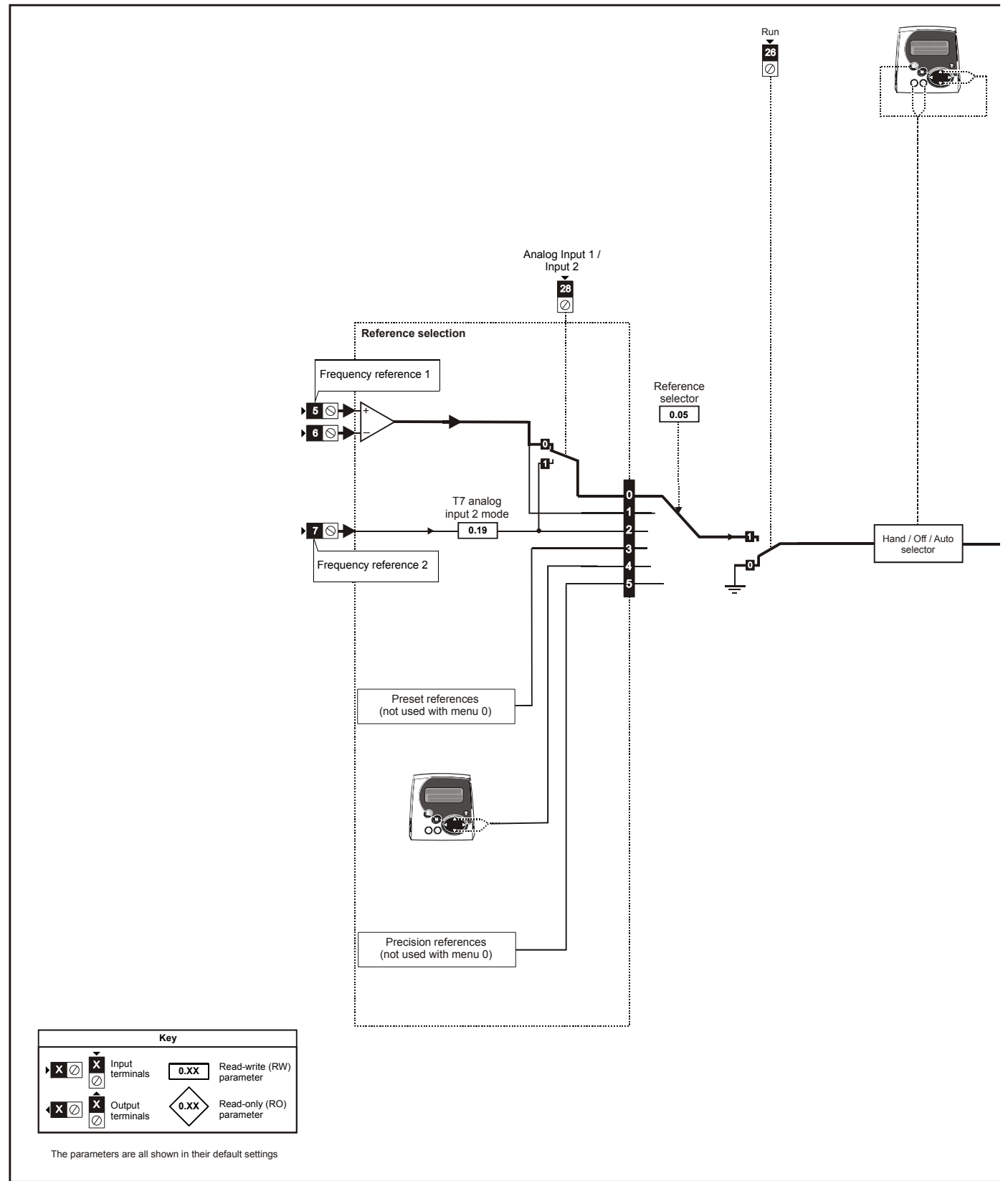
\* Modes 1 and 2 are not user saved, Modes 0, 3 and 4 are user saved

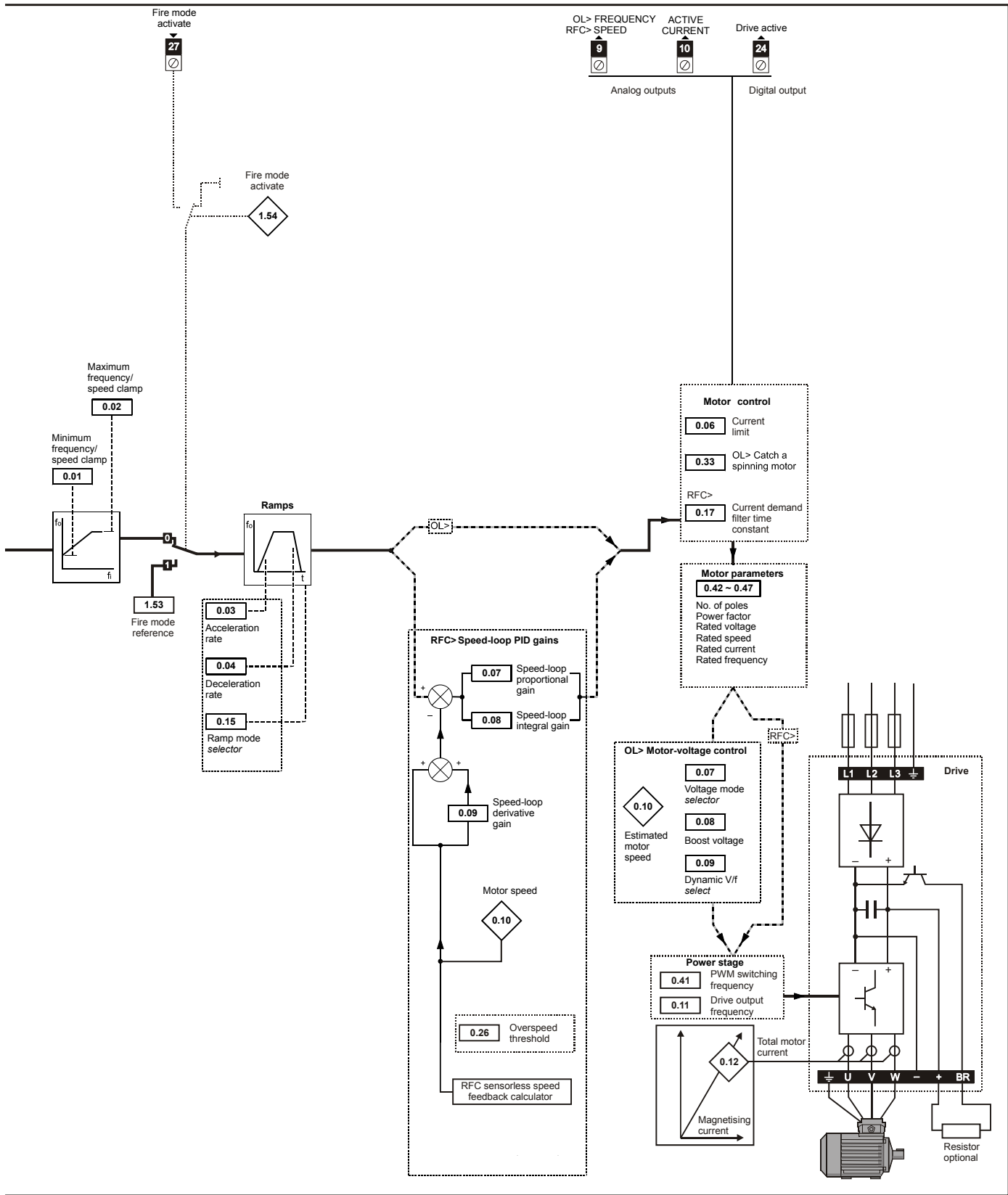
**Key:**

Coding	Attribute
OL	Open loop
RFC	RFC mode



Figure 6-1 Menu 0 logic diagram





## 6.2 Full descriptions

### 6.2.1 Parameter x.00

0.00 {x.00} Parameter zero	
RW	Uni
↕	0 to 32,767 ⇒ 0

Pr **x.00** is available in all menus and has the following functions.

Value	Action
1000	Save parameters when under voltage is not active (Pr <b>10.16</b> = 0) and low voltage DC supply is not active (Pr <b>6.44</b> = 0).
1001	Save parameters under all conditions
1070	Reset all option modules
1233	Load standard defaults
1244	Load US defaults
1253	Change drive mode with standard defaults
1254	Change drive mode with US defaults
1255	Change drive mode with standard defaults (excluding menus 15 to 20)
1256	Change drive mode with US defaults (excluding menus 15 to 20)
2001*	Transfer drive parameters as difference from default to a bootable SMARTCARD block in data block number 001
3yyy*	Transfer drive EEPROM data to a SMART Card block number yyy
4yyy*	Transfer drive data as difference from defaults to SMART Card block number yyy
5yyy*	Transfer drive ladder program to SMART Card block number yyy
6yyy*	Transfer SMART Card data block number yyy to the drive
7yyy*	Erase SMART Card data block number yyy
8yyy*	Compare drive parameters with SMART Card data block number yyy
9555*	Clear SMARTCARD warning suppression flag
9666*	Set SMARTCARD warning suppression card
9777*	Clear SMARTCARD read-only flag
9888*	Set SMARTCARD read-only flag
9999*	Erase SMARTCARD data block 1 to 499
12000**	Display non-default values only
12001**	Display destination parameters only

\* See Chapter 9 *SMARTCARD operation* on page 126 for more information of these functions.

\*\* These functions do not require a drive reset to become active. All other functions require a drive reset to initiate the function.

### 6.2.2 Speed limits

0.01 {1.07} Minimum reference clamp			
RW	Bi	PT	US
OL	↕	±3,000.0Hz	⇒ 0.0
RFC	↕	±SPEED_LIMIT_MAX Hz/rpm	⇒ 0.0

(When the drive is jogging, [0.01] has no effect.)

#### Open-loop

Set Pr **0.01** at the required minimum output frequency of the drive for both directions of rotation. The drive speed reference is scaled between Pr **0.01** and Pr **0.02**. [0.01] is a nominal value; slip compensation may cause the actual frequency to be higher.

#### RFC

Set Pr **0.01** at the required minimum motor speed for both directions of rotation. The drive speed reference is scaled between Pr **0.01** and Pr **0.02**.

0.02 {1.06} Maximum reference clamp		
RW	Uni	US
OL	↕	0 to 3,000.0Hz ⇒ EUR> 50.0 USA> 60.0
RFC	↕	SPEED_LIMIT_MAX Hz/rpm ⇒ EUR> 1,500.0 USA> 1,800.0

(The drive has additional over-speed protection.)

#### Open-loop

Set Pr **0.02** at the required maximum output frequency for both directions of rotation. The drive speed reference is scaled between Pr **0.01** and Pr **0.02**. [0.02] is a nominal value; slip compensation may cause the actual frequency to be higher.

#### RFC

Set Pr **0.02** at the required maximum motor speed for both directions of rotation. The drive speed reference is scaled between Pr **0.01** and Pr **0.02**.

For operating at high speeds see section 8.5 *High speed operation* on page 125.

### 6.2.3 Ramps, speed reference selection, current limit

0.03 {2.11} Acceleration rate		
RW	Uni	US
OL	↕	0.0 to 3,200.0 s/100Hz ⇒ EUR> 40.0 USA> 33.3
RFC	↕	0.000 to 3,200.000 s/1,000rpm ⇒ EUR> 13.333 USA> 11.111

Set Pr **0.03** at the required rate of acceleration.

Note that larger values produce lower acceleration. The rate applies in both directions of rotation.

0.04 {2.21} Deceleration rate		
RW	Uni	US
OL	↕	0.0 to 3,200.0 s/100Hz ⇒ EUR> 40.0 USA> 33.3
RFC	↕	0.000 to 3,200.000 s/1,000rpm ⇒ EUR> 13.333 USA> 11.111

Set Pr **0.04** at the required rate of deceleration.

Note that larger values produce lower deceleration. The rate applies in both directions of rotation.

0.05 {1.14} Reference selector			
RW	Txt	NC	US
↕	0 to 5	⇒	A1.A2 (0)

Use Pr **0.05** to select the required frequency/speed reference as follows:

Setting		
A1.A2	0	Analog input 1 OR analog input 2 selectable by digital input, terminal 28
A1.Pr	1	Analog input 1 OR preset frequency/speed selectable by digital input, terminal 28 and 29
A2.Pr	2	Analog input 2 OR preset frequency/speed selectable by digital input, terminal 28 and 29
Pr	3	Pre-set frequency/speed
PAd	4	Keypad reference
Prc	5	Precision reference

Setting Pr **0.05** to 1, 2 or 3 will re-configure T28 and T29. Refer to Pr **8.39** to disable this function. See section 11.21.1 *Reference modes* for further details.



0.06 {4.07} Current Limit	
RW	Uni
↕	0 to Current_limit_max %
⇒	110

Pr 0.06 limits the maximum output current of the drive (and hence maximum motor torque) to protect the drive and motor from overload. Set Pr 0.06 at the required maximum torque as a percentage of the rated torque of the motor, as follows:

$$[0.06] = \frac{T_R}{T_{RATED}} \times 100 (\%)$$

Where:

$T_R$  Required maximum torque  
 $T_{RATED}$  Motor rated torque

Alternatively, set 0.06 at the required maximum active (torque-producing) current as a percentage of the rated active current of the motor, as follows:

$$[0.06] = \frac{I_R}{I_{RATED}} \times 100 (\%)$$

Where:

$I_R$  Required maximum active current  
 $I_{RATED}$  Motor rated active current

### 6.2.4 Voltage boost, (open-loop), Speed-loop PID gains (RFC)

0.07 {5.14} Voltage mode selector	
RW	Txt
OL	Ur_S (0), Ur (1), Fd (2), Ur_Auto (3), Ur_I (4), SrE (5)
⇒	Fd (2)

#### Open-loop

There are six voltage modes available, which fall into two categories, vector control and fixed boost. For further details, refer to section Pr 0.07 {5.14} Voltage mode on page 119.

0.07 {3.10} Speed controller proportional gain	
RW	Uni
RFC	0.0000 to 6.5535 1/rad s <sup>-1</sup>
⇒	0.0300

#### RFC

Pr 0.07 (3.10) operates in the feed-forward path of the speed-control loop in the drive. See Figure 11-4 on page 150 for a schematic of the speed controller. For information on setting up the speed controller gains, refer to Chapter 8 Optimization on page 118.

0.08 {5.15} Low frequency voltage boost	
RW	Uni
OL	0.0 to 25.0% of motor rated voltage
⇒	Size 1 to 3: 3.0 Size 4 & 5: 2.0, Size 6: 1.0

#### Open-loop

When 0.07 Voltage mode selector is set at Fd or SrE, set Pr 0.08 (5.15) at the required value for the motor to run reliably at low speeds. Excessive values of Pr 0.08 can cause the motor to be overheated.

0.08 {3.11} Speed controller integral gain	
RW	Uni
RFC	0.00 to 655.35 1/rad
⇒	0.10

#### RFC

Pr 0.08 (3.11) operates in the feed-forward path of the speed-control loop in the drive. See Figure 11-4 on page 150 for a schematic of the speed controller. For information on setting up the speed controller gains, refer to Chapter 8 Optimization on page 118.

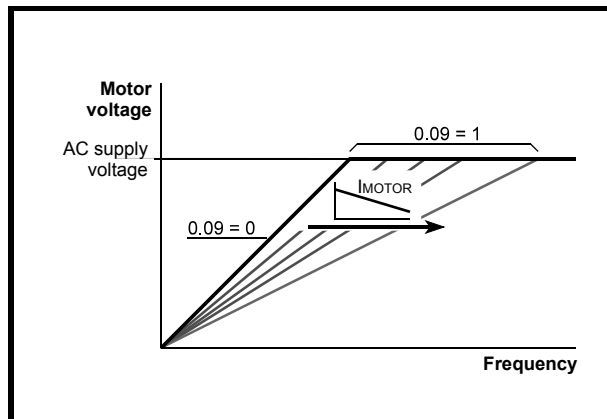
0.09 {5.13} Dynamic V/f / flux optimize select	
RW	Bit
OL	OFF (0) or On (1)
⇒	OFF (0)

#### Open-loop

Set Pr 0.09 (5.13) at 0 when the V/f characteristic applied to the motor is to be fixed. It is then based on the rated voltage and frequency of the motor.

Set Pr 0.09 at 1 when reduced power dissipation is required in the motor when it is lightly loaded. The V/f characteristic is then variable resulting in the motor voltage being proportionally reduced for lower motor currents. Figure 6-2 shows the change in V/f slope when the motor current is reduced.

Figure 6-2 Fixed and variable V/f characteristics



0.09 {3.12} Speed controller differential feedback gain	
RW	Uni
RFC	0.00000 to 0.65535(s)
⇒	0.00000

#### RFC

Pr 0.09 (3.12) operates in the feedback path of the speed-control loop in the drive. See Figure 11-4 on page 150 for a schematic of the speed controller. For information on setting up the speed controller gains, refer to Chapter 8 Optimization on page 118.

### 6.2.5 Monitoring

0.10 {5.04} Estimated motor speed	
RO	Bit
OL	±180,000 rpm
⇒	

#### Open-loop

Pr 0.10 (5.04) indicates the value of motor speed that is estimated from the following:

- 0.12 Post-ramp frequency reference
- 0.42 Motor - no. of poles

<b>0.10 {3.02} Motor speed</b>												
RO	Bi	FI				NC	PT					
RFC	↕	±Speed_max rpm				⇒						

**RFC**

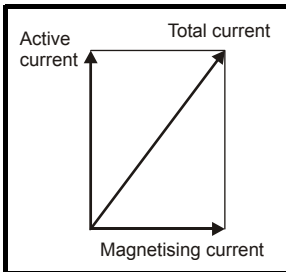
Pr **0.10 (3.02)** indicates the value of motor speed that is obtained from the speed estimator.

<b>0.11 {5.01} Drive output frequency</b>												
RO	Bi	FI				NC	PT					
OL	↕	±SPEED_FREQ_MAX Hz				⇒						
RFC	↕	±1250.0 Hz				⇒						

Pr **0.11** displays the frequency at the drive output.

<b>0.12 {4.01} Total motor current</b>												
RO	Uni	FI				NC	PT					
↕	0 to Drive_current_max A				⇒							

Pr **0.12** displays the rms value of the output current of the drive in each of the three phases. The phase currents consist of an active component and a reactive component, which can form a resultant current vector as shown in the following diagram.



The active current is the torque producing current and the reactive current is the magnetizing or flux-producing current.

<b>0.13 {4.20} Percentage load</b>												
RO	Uni	FI				NC	PT					
↕	±USER_CURRENT_MAX %				⇒							

**6.2.6 Ramp mode and Stop mode selectors**

<b>0.14 {2.04} Ramp mode select</b>												
RW	Txt										US	
OL	↕	FAST (0) Std (1) Std.hV (2)				⇒	Std (1)					
RFC	↕	FAST (0) Std (1)				⇒						

Pr **0.15** sets the ramp mode of the drive as shown below:

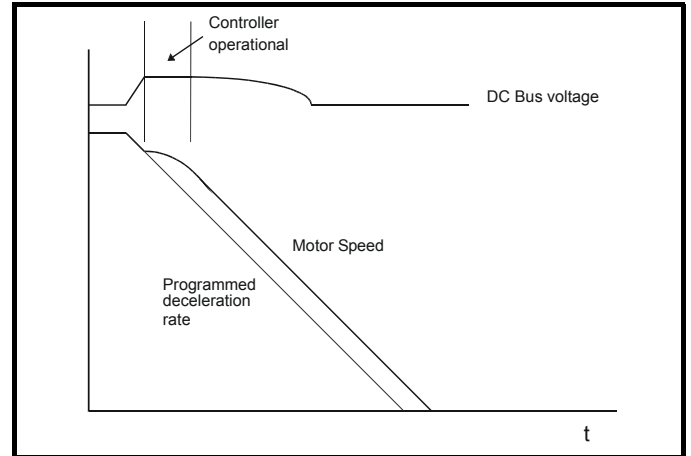
**0: Fast ramp**

Fast ramp is used where the deceleration follows the programmed deceleration rate subject to current limits. This mode must be used if a braking resistor is connected to the drive.

**1: Standard ramp**

Standard ramp is used. During deceleration, if the voltage rises to the standard ramp level (Pr **2.08**) it causes a controller to operate, the output of which changes the demanded load current in the motor. As the controller regulates the link voltage, the motor deceleration increases as the speed approaches zero speed. When the motor deceleration rate

reaches the programmed deceleration rate the controller ceases to operate and the drive continues to decelerate at the programmed rate. If the standard ramp voltage (Pr **2.08**) is set lower than the nominal DC bus level the drive will not decelerate the motor, but it will coast to rest. The output of the ramp controller (when active) is a current demand that is fed to the frequency changing current controller (Open-loop modes) or the torque producing current controller (RFC mode). The gain of these controllers can be modified with Pr **4.13** and Pr **4.14**.



**2: Standard ramp with motor voltage boost**

This mode is the same as normal standard ramp mode except that the motor voltage is boosted by 20%. This increases the losses in the motor, dissipating some of the mechanical energy as heat giving faster deceleration.

**6.2.7 Sleep/wake mode**

<b>0.15 {6.53} Sleep/wake threshold</b>												
RW	Uni										US	
↕	±SPEED_FREQ_MAX Hz/rpm				⇒	0.0						

<b>0.16 {6.54} Sleep/wake delay time</b>												
RW	Uni										US	
↕	0.0 to 250.0 s				⇒	10.0						

Sleep/wake mode automatically stops the motor if it is running at a low and inefficient speed. It is enabled when Pr **0.15** is set to a non zero value and activated when the absolute value of the frequency/speed reference Pr **1.01** remains below the sleep threshold Pr **0.15** for the time period set in Pr **0.16**.

When sleep/wake mode is activated, the internal drive run command is removed and the motor stops. The motor restarts when Pr **1.01** remains above the sleep threshold Pr **0.15** for the time period set in Pr **0.16**.

If the PID functions are being used then sleep mode can be delayed by setting the PID pre-boost level (Pr **14.28**) and maximum boost time (Pr **14.29**) to non-zero values.

Sleep/wake mode cannot be activated when the keypad reference mode is selected (i.e. Pr **1.49** = 4).

If bipolar mode is disabled (i.e. Pr **1.10** = 0), then negative values of the reference selected (Pr **1.01**) are treated as zero when compared to the sleep threshold.

## 6.2.8 Current demand filter

<b>0.17 {4.12}</b>		<b>Current demand filter time constant</b>												
RW	Uni											US		
RFC	↕	0.0 to 25.0 ms						⇒	0.0					

### RFC

A first order filter, with a time constant defined by Pr 0.17, is provided on the current demand to reduce acoustic noise and vibration produced as a result of position feedback quantization noise. The filter introduces a lag in the speed loop, and so the speed loop gains may need to be reduced to maintain stability as the filter time constant is increased.

## 6.2.9 Spin start boost

<b>0.18 {5.40}</b>		<b>Spin start boost</b>												
RW	Uni											US		
↕		0.0 to 10.0						⇒	1.0					

If Pr 0.33 is set to a non zero value, then Pr 0.18 defines a scaling function used by the algorithm that detects the speed of the motor. It is likely that for smaller motors the default value of 1.0 is suitable, but for larger motors this parameter may need to be increased. If the value of Pr 0.18 is too large then the motor may accelerate from standstill when the drive is enabled. If the value of Pr 0.18 is too small then the drive will detect the motor speed as zero even if the motor is spinning.

## 6.2.10 Analog input

<b>0.19 {7.11}</b>		<b>Analog input 2 mode</b>												
RW	Txt											US		
↕		0 to 6						⇒	4-20 (4)					

In modes 2 & 3 a current loop loss trip is generated if the current falls below 3mA.

In modes 2 & 4 the analog input level goes to 0.0% if the input current falls below 4mA.

Pr value	Pr string	Mode	Comments
0	0-20	0 - 20mA	
1	20-0	20 - 0mA	
2	4-20.tr	4 - 20mA with trip on loss	Trip if I < 3mA
3	20-4.tr	20 - 4mA with trip on loss	Trip if I < 3mA
4	4-20	4 - 20mA with no trip on loss	0.0% if I ≤ 4mA
5	20-4	20 - 4mA with no trip on loss	100% if I ≤ 4mA
6	VOLt	Voltage mode	

<b>0.20 {7.14}</b>		<b>Analog input 2 destination</b>												
RW	Uni		DE								PT	US		
↕		Pr 0.00 to Pr 21.51						⇒	Pr 1.37					

Pr 0.20 sets the destination of analog input 2.

<b>0.21 {7.15}</b>		<b>Analog input 3 mode</b>												
RW	Txt											PT	US	
↕		0 to 9						⇒	VoLt (6)					

In modes 2 & 3 a current loop loss trip is generated if the current falls below 3mA.

In modes 2 & 4 the analog input level goes to 0.0% if the input current falls below 4mA.

Pr value	Pr string	Mode	Comments
0	0-20	0 - 20mA	
1	20-0	20 - 0mA	
2	4-20.tr	4 - 20mA with trip on loss	Trip if I < 3mA
3	20-4.tr	20 - 4mA with trip on loss	Trip if I < 3mA
4	4-20	4 - 20mA with no trip on loss	0.0% if I ≤ 4mA
5	20-4	20 - 4mA with no trip on loss	100% if I ≤ 4mA
6	VOLt	Voltage mode	
7	th.SC	Thermistor mode with short-circuit detection	Th trip if R > 3K3 Th reset if R < 1K8 ThS trip if R < 50R
8	th	Thermistor mode with no short-circuit detection	Th trip if R > 3K3 Th reset if R < 1K8
9	th.diSp	Thermistor mode with display only and no trip	

## 6.2.11 Real time clock

<b>0.22 {6.16}</b>		<b>Date</b>												
RW	Uni									NC	PT	US		
↕		0 to 311299						⇒						

<b>0.23 {6.17}</b>		<b>Time</b>												
RW	Uni									NC	PT	US		
↕		0.00 to 23.59						⇒						

<b>0.24 {6.19}</b>		<b>Date / time selector</b>												
RW	Uni											US		
↕		0 to 5						⇒	3					

<b>0.25 {6.20}</b>		<b>Date format</b>												
RW	Txt											US		
↕		Std (0), Std.ds (1), US (2), US.ds (3)						⇒	EUR> Std (0) USA> US (2)					

The value of Pr 0.24 determines the data displayed in Pr 0.22 and Pr 0.23 as shown in the table below:

Pr 0.24	Data displayed in Pr 0.22 and Pr 0.23
0	Drive powered-up time: Date and time starts from zero at each power-up
1	Date and time from real time clock in slot 1 Solutions Module. If the module does not support this feature or no module is installed in slot 1, then the date and time will be zero
2	Date and time from real time clock in slot 2 Solutions Module. If the module does not support this feature or no module is installed in slot 2, then the date and time will be zero
3	Date and time from internal real time clock
4	Drive running time: Time that the drive inverter has been active since it was manufactured
5	Set date and time: Date and time can be adjusted and written to all Solutions Modules installed which support real time clock

Pr 0.22 shows the date in the format ddmmy (Pr 0.25 = 0 or 1) or mmddy (Pr 0.25 = 2 or 3). Pr 0.23 shows the time in hh.mm format.

If Pr 0.24 is set to 0 or 4 then the date and time start from zero, the days roll over after 30, and the months roll over after 11.

The day of the week displayed in Pr 6.18 is zero unless Pr 0.24 is set to 1, 2 or 3.

To adjust the date/time, set Pr 0.24 to 5. Enter date/time in Pr 0.22 and Pr 0.23. The date/time will be written to the internal real time clock and any Solutions Module installed that supports real time clock functions.

The drive date and time (Pr 0.22 and Pr 0.23) are used for the date/times associated with the trip log (Pr 10.41 to Pr 10.60) and timer functions (Pr 0.52 to Pr 0.58).

If Pr 0.24 is changed, then a reset must be initiated for the change to take place, otherwise the originally selected clock will be used for the trip log and timer functions.

If Pr 0.24 is changed and a reset is initiated then the trip log times are cleared and the repeat period for the timers (Pr 0.56) set to zero, disabling the timers.

Daylight saving time is enabled if Pr 0.25 is set to 1 (Std) or 3 (US) and has the following effect:

Pr value	Pr string	Date format
0	Std	ddmmyy
1	Std.ds	ddmmyy with an extra hour added for daylight saving
2	US	mmddyy
3	US.ds	mmddyy with an extra hour added for daylight saving

### 6.2.12 Low load

0.26 {4.27} Low load detection level	
RW	Uni
↕	US
↕	0.0 to 100.0 %
⇒	0.0

0.27 {4.28} Low load detection speed / frequency threshold	
RW	Uni
↕	US
↕	0.0 to +SPEED_FREQ_MAX Hz/rpm
⇒	0.0

0.28 {4.29} Trip on abnormal load detection	
RW	Bit
↕	US
↕	OFF (0) or On (1)
⇒	OFF (0)

The low load detection function is enabled if Pr 0.26 is set to a non zero value. It is activated when the load (Pr 4.20) falls below the value set in Pr 0.26, if the frequency/speed is above the value set in Pr 0.27 and the motor is not accelerating or decelerating i.e. "At Speed" parameter (Pr 10.06) is set to one. When activated, a 'Load' warning message is displayed if Pr 0.28 is set to zero, otherwise a 'Load' drive trip is initiated. When low load is detected, Pr 10.61 changes to On (1).

### 6.2.13 SMARTCARD

0.29 {11.36} SMARTCARD parameter data	
RO	Uni
↕	US
↕	0 to 999
⇒	0

This parameter shows the number of the data block last transferred from a SMARTCARD to the drive.

0.30 {11.42} Parameter copying	
RW	Txt
↕	NC
↕	0 to 4
⇒	nonE (0)

\* Modes 1 and 2 are not user saved, Modes 0, 3 and 4 are user saved.

#### NOTE

If Pr 0.30 is equal to 1 or 2 this value is not transferred to the EEPROM or the drive. If Pr 0.30 is set to a 3 or 4 the value is transferred.

Pr String	Pr value	Comment
nonE	0	Inactive
rEAd	1	Read parameter set from the SMARTCARD
Prog	2	Programming a parameter set to the SMARTCARD
Auto	3	Auto save
boot	4	Boot mode

For further information, please refer to Chapter 9 SMARTCARD operation on page 126.

### 6.2.14 Drive parameters

0.31 {11.33} Drive rated voltage	
RO	Txt
↕	NC PT
↕	200V (0), 400V (1), 575V (2), 690V (3)
⇒	

Pr 0.31 indicates the voltage rating of the drive.

0.32 {11.32} Drive current scaling	
RO	Uni
↕	NC PT
↕	0.00 to 9,999.99 A
⇒	

Pr 0.32 indicates the drive current scaling.

0.33 {6.09} Catch a spinning motor	
RW	Uni
↕	US
OL	↕
	0 to 3
⇒	0
RFC	↕
	0 to 3
⇒	0

#### Open-loop

When the drive is enabled with Pr 0.33 = 0, the output frequency starts at zero and ramps to the required reference. When the drive is enabled when Pr 0.33 has a non-zero value, the drive performs a start-up test to determine the motor speed and then sets the initial output frequency to the synchronous frequency of the motor. Restrictions may be placed on the frequencies detected by the drive as follows:

Pr 0.33	Function
0	Disabled
1	Detect all frequencies
2	Detect positive frequencies only
3	Detect negative frequencies only

#### RFC

When the drive is enabled with this bit at zero, the post ramp reference (Pr 2.01) starts at zero and ramps to the required reference. When the drive is enabled with this bit at one the post ramp reference is set to the motor speed.

If catch a spinning motor is not required, this parameter should be set to zero as this avoids unwanted movement of the motor shaft when zero speed is required. With larger motors it may be necessary to increase Pr 5.40 Spin Start Boost from its default value of 1.0 for the drive to successfully detect the motor speed.

## 6.2.15 User security

<b>0.34 {11.30} User security code</b>												
RW	Uni							NC	PT			PS
↕	0 to 999						⇒	0				

If any number other than 0 is programmed into this parameter, user security is applied so that no parameters except parameter **0.49** can be adjusted with the keypad. When this parameter is read via a keypad it appears as zero.

For further details refer to Chapter 5.10.3 *User Security* on page 96.

## 6.2.16 PC communications

<b>0.35 {11.24} PCcomms mode</b>												
RW	Txt											US
↕	AnSI (0), rtu (1), Lcd (2)						⇒	rtU (1)				

This parameter defines the communications protocol used by the EIA485 comms port on the drive. This parameter can be changed via the drive keypad, via a Solutions Module or via the comms interface itself. If it is changed via the comms interface, the response to the command uses the original protocol. The master should wait at least 20ms before send a new message using the new protocol. (Note: ANSI uses 7 data bits, 1 stop bit and even parity; Modbus RTU uses 8 data bits, 2 stops bits and no parity.)

Comms value	String	Communications mode
0	AnSI	ANSI
1	rtU	Modbus RTU protocol
2	Lcd	Modbus RTU protocol, but with a keypad only

### ANSI3.28 protocol

Full details of the CT ANSI communications protocol are the *Advanced User Guide*.

### Modbus RTU protocol

Full details of the CT implementation of Modbus RTU are given in the *Advanced User Guide*.

### Modbus RTU protocol, but with a keypad only

This setting is used for disabling communications access when the keypad is used as a hardware key.

<b>0.36 {11.25} PC comms baud rate</b>												
RW	Txt											US
↕	300 (0), 600 (1), 1200 (2), 2400 (3), 4800 (4), 9600 (5), 19200 (6), 38400 (7), 57600 (8)*, 115200 (9)*						⇒	19200 (6)				

\* only applicable to Modbus RTU mode

This parameter can be changed via the drive keypad, via a Solutions Module or via the comms interface itself. If it is changed via the comms interface, the response to the command uses the original baud rate. The master should wait at least 20ms before send a new message using the new baud rate.

<b>0.37 {11.23} PC comms address</b>												
RW	Uni											US
↕	0 to 247						⇒	1				

Used to define the unique address for the drive for the serial interface. The drive is always a slave.

## Modbus RTU

When the Modbus RTU protocol is used addresses between 0 and 247 are permitted. Address 0 is used to globally address all slaves, and so this address should not be set in this parameter

## ANSI

When the ANSI protocol is used the first digit is the group and the second digit is the address within a group. The maximum permitted group number is 9 and the maximum permitted address within a group is 9. Therefore, Pr **0.37** is limited to 99 in this mode. The value 00 is used to globally address all slaves on the system, and x0 is used to address all slaves of group x, therefore these addresses should not be set in this parameter.

## 6.2.17 Hold zero speed / pre-heat

<b>0.38 {6.08} Hold zero speed / Motor pre-heat enable</b>												
RW	Bit											US
↕	OFF (0) or On (1)						⇒	OFF (0)				

<b>0.39 {6.52} Motor pre-heat current magnitude</b>												
RW	Uni											US
↕	0 to 100 %						⇒	0				

Pre-heat mode is enabled if Pr **0.38** is set to a one and Pr **0.39** is set to a value greater than zero. When the run command is removed and the motor has reached standstill then the drive applies a percentage (determined by the value in Pr **0.39**) of the motor rated current. When pre-heat is active, then the keypad displays the status "Heat".

Hold zero speed is enabled if Pr **0.38** is set to a one and Pr **0.39** is set to zero. When the run command is removed and the motor has reached standstill, the drive continues to apply the magnetizing current. The level of magnetizing current cannot be modified. When hold zero speed is active, then the keypad displays the status "StoP".

The drive cannot be switched between hold zero speed and pre-heat mode if any one of these modes is active. The drive should be disabled or running to change the mode.



The value in Pr **0.39** should not be set too high because it could damage the motor or cause the motor thermal protection to operate and trip the drive.

## 6.2.18 Autotune

<b>0.40 {5.12} Autotune</b>													
RW	Uni												
OL	↕	0 to 2						⇒	0				
RFC	↕	0 to 4						⇒	0				

### Open-Loop

There are two autotune tests available in open loop mode, a stationary and a rotating test. A rotating autotune should be used whenever possible, so the measured value of power factor of the motor is used by the drive.

- The stationary autotune can be used when the motor is loaded and it is not possible to remove the load from the motor shaft.
- A rotating autotune first performs a stationary autotune, before rotating the motor at  $\frac{2}{3}$  base speed in the forward direction for several seconds. The motor must be free from load for the rotating autotune.

To perform an autotune, set Pr **0.40** to 1 for a stationary test or 2 for a rotating test, and provide the drive with an enable signal (on terminal 31) and press the green (hand) button.

Following the completion of an autotune test the drive will go into the inhibit state. The drive must be placed into a controlled disable condition before the drive can be made to run at the required reference. The drive can be put in to a controlled disable condition by removing the Enable signal from terminal 31, setting the drive enable parameter Pr 6.15 to OFF (0) or disabling the drive via the control word (Pr 6.42 & Pr 6.43).

For further information refer to section Pr 0.40 {5.12} Autotune on page 118.

### RFC

There are three autotune tests available in RFC mode, a stationary test, a rotating test and an inertia measurement test. A stationary autotune will give moderate performance whereas a rotating autotune will give improved performance as it measures the actual values of the motor parameters required by the drive. An inertia measurement test should be performed separately to a stationary or rotating autotune.

- The stationary autotune can be used when the motor is loaded and it is not possible to remove the load from the motor shaft.
- A rotating autotune first performs a stationary autotune, before rotating the motor at  $\frac{2}{3}$  base speed in the forward direction for approximately 30 seconds. The motor must be free from load for the rotating autotune.
- The inertia measurement test can measure the total inertia of the load and the motor. This is used to set the speed loop gains (see *Speed loop gains*, below) and to provide torque feed forwards when required during acceleration. During the inertia measurement test the motor speed changes from  $\frac{1}{3}$  to  $\frac{2}{3}$  rated speed in the forward direction several times. The motor can be loaded with a constant torque load and still give an accurate result, however, non-linear loads and loads that change with speed will cause measurement errors.

To perform an autotune, set Pr 0.40 to 1 for a stationary test, 2 for a rotating test, or 3 for an inertia measurement test and provide the drive with both an enable signal (on terminal 31) and a run signal.

Following the completion of an autotune test the drive will go into the inhibit state. The drive must be placed into a controlled disable condition before the drive can be made to run at the required reference. The drive can be put in to a controlled disable condition by removing the Enable signal from terminal 31, setting the drive enable parameter Pr 6.15 to OFF (0) or disabling the drive via the control word (Pr 6.42 & Pr 6.43).

Setting Pr 0.40 to 4 will cause the drive to calculate the current loop gains based on the previously measured values of motor resistance and inductance. The drive does apply any voltage to the motor during this test. The drive will change Pr 0.40 back to 0 as soon as the calculations are complete (approximately 500ms).

For further information refer to section Pr 0.40 {5.12} Autotune on page 122.

0.41 {5.18} Maximum switching frequency									
RW	Txt			RA					US
↕	3 (0), 4 (1), 6 (2), 8 (3), 12 (4), 16 (5) kHz			⇒					3 (0)

This parameter defines the required switching frequency. The drive may automatically reduce the actual switching frequency (without changing this parameter) if the power stage becomes too hot. A thermal model of the IGBT junction temperature is used based on the heatsink temperature and an instantaneous temperature drop using the drive output current and switching frequency. The estimated IGBT junction temperature is displayed in Pr 7.34. If the temperature exceeds 145°C the switching frequency is reduced if this is possible (i.e >3kHz). Reducing the switching frequency reduces the drive losses and the junction temperature displayed in Pr 7.34 also reduces. If the load condition persists the junction temperature may continue to rise again above 145°C and the drive cannot reduce the switching frequency further the drive will initiate an 'O.ht1' trip. Every second the drive will attempt to restore the switching frequency to the level set in Pr 0.41.

The full range of switching frequencies is not available on all ratings of Affinity. See section 8.4 *Switching frequency* on page 125, for the maximum available switching frequency for each drive rating.

### 6.2.19 Motor parameters

0.42 {5.11} No. of motor poles									
RW	Txt							US	
↕	0 to 60 (Auto to 120 Pole)			⇒				Auto (0)	

#### Open-loop

This parameter is used in the calculation of motor speed, and in applying the correct slip compensation. When auto is selected, the number of motor poles is automatically calculated from the rated frequency (Pr 0.47) and the rated full load rpm (Pr 0.45). The number of poles = 120 \* rated frequency / rpm rounded to the nearest even number.

#### RFC

This parameter must be set correctly for the vector control algorithms to operate correctly. When auto is selected, the number of motor poles is automatically calculated from the rated frequency (Pr 0.47) and the rated full load rpm (Pr 0.45). The number of poles = 120 \* rated frequency / rpm rounded to the nearest even number.

0.43 {5.10} Motor rated power factor									
RW	Uni							US	
OL	↕	0.000 to 1.000		⇒				0.850	

The power factor is the true power factor of the motor, i.e. the angle between the motor voltage and current.

#### Open-loop

The power factor is used in conjunction with the motor rated current (Pr 0.46) to calculate the rated active current and magnetizing current of the motor. The rated active current is used extensively to control the drive, and the magnetizing current is used in vector mode Rs compensation. It is important that this parameter is set up correctly.

This parameter is obtained by the drive during a rotational autotune. If a stationary autotune is carried out, then the nameplate value should be entered in Pr 0.43.

#### RFC

If the stator inductance (Pr 5.25) contains a non-zero value, the power factor used by the drive is continuously calculated and used in the vector control algorithms (this will not update Pr 0.43).

If the stator inductance is set to zero (Pr 5.25) then the power factor written in Pr 0.43 is used in conjunction with the motor rated current and other motor parameters to calculate the rated active and magnetizing currents which are used in the vector control algorithm.

This parameter is obtained by the drive during a rotational autotune. If a stationary autotune is carried out, then the nameplate value should be entered in Pr 0.43.

0.44 {5.09} Motor rated voltage									
RW	Uni			RA					US
↕	0 to AC_VOLTAGE_SET_MAX V			⇒					200V drive: 230 400V drive: EUR> 400 USA> 460 575V drive: 575 690V drive: 690

Enter the value from the rating plate of the motor.

<b>0.45 {5.08}</b>		<b>Motor rated full load speed (rpm)</b>										
RW	Uni											US
OL	⇕	0 to 180,000 rpm					⇒	EUR> 1,500 USA> 1,800				
RFC	⇕	0.00 to 40,000.00 rpm					⇒	EUR> 1,450.00 USA> 1,770.00				

### Open-loop

This is the speed at which the motor would rotate when supplied with its base frequency at rated voltage, under rated load conditions (= synchronous speed - slip speed). Entering the correct value into this parameter allows the drive to increase the output frequency as a function of load in order to compensate for this speed drop.

Slip compensation is disabled if Pr **0.45** is set to 0 or to synchronous speed, or if Pr **5.27** is set to 0.

If slip compensation is required this parameter should be set to the value from the rating plate of the motor, which should give the correct rpm for a hot machine. Sometimes it will be necessary to adjust this when the drive is commissioned because the nameplate value may be inaccurate. Slip compensation will operate correctly both below base speed and within the field weakening region. Slip compensation is normally used to correct for the motor speed to prevent speed variation with load. The rated load rpm can be set higher than synchronous speed to deliberately introduce speed droop. This can be useful to aid load sharing with mechanically coupled motors.

### RFC

Rated load rpm is used with motor rated frequency to determine the full load slip of the motor which is used by the vector control algorithm. Incorrect setting of this parameter can result in the following:

- Reduced efficiency of motor operation
- Reduction of maximum torque available from the motor
- Failure to reach maximum speed
- Over-current trips
- Reduced transient performance
- Inaccurate control of absolute torque in torque control modes

The nameplate value is normally the value for a hot machine, however, some adjustment may be required when the drive is commissioned if the nameplate value is inaccurate.

<b>0.46 {5.07}</b>		<b>Motor rated current</b>										
RW	Uni					RA						US
⇕		0 to Rated_current_max A					⇒	Drive rated current [11.32]				

Enter the name-plate value for the motor rated current.

<b>0.47 {5.06}</b>		<b>Rated frequency</b>										
RW	Uni											US
OL	⇕	0 to 3,000.0Hz					⇒	EUR> 50.0, USA> 60.0				
RFC	⇕	0 to 1,250.0Hz					⇒	EUR> 50.0, USA> 60.0				

### Open-loop & RFC

Enter the value from the rating plate of the motor.

## 6.2.20 Operating-mode selection

<b>0.48 {11.31}</b>		<b>Operating mode selector</b>										
RW	Txt	NC									PT	
⇕		1 to 2					⇒	OL	1			
							RFC	2				

The settings for Pr **0.48** are as follows:

Setting	Operating mode
OPEn LP	1
rfc	2

This parameter defines the drive operating mode. Pr **xx.00** must be set to 1253 (European defaults) or 1254 (USA defaults) before this parameter can be changed. When the drive is reset to implement any change in this parameter, the default settings of all parameters will be set according to the drive operating mode selected and saved in memory.

## 6.2.21 Status information

<b>0.49 {11.44}</b>		<b>Security status</b>										
RW	Txt									PT	US	
⇕		0 to 2					⇒	0				

This parameter controls access via the drive keypad as follows:

Value	String	Action
0	L1	Only menu 0 can be accessed
1	L2	All menus can be accessed
2	Loc	Lock user security when drive is reset. (This parameter is set to L1 after reset.)

The keypad can adjust this parameter even when user security is set.

<b>0.50 {11.29}</b>		<b>Software version number</b>										
RO	Uni									NC	PT	
⇕		1.00 to 99.99					⇒					

The parameter displays the software version of the drive.

<b>0.51 {8.29}</b>		<b>Positive logic select</b>										
RW	Bit									PT	US	
⇕		OFF (0) or On (1)					⇒	On (1)				

Pr **0.51** changes the logic polarity for digital inputs and digital outputs, but not the enable input, the relay output or the 24V output.

	Pr 0.51 = 0 (negative logic)	Pr 0.51 = 1 (positive logic)
Inputs	<5V = 1 >15V = 0	<5V = 0 >15V = 1
Non-relay outputs	On (1) = <5V OFF (0) = >15V	OFF (0) = <5V On (1) = >15V
Relay outputs	OFF (0) = open On (1) = closed	OFF (0) = open On (1) = closed
24V output (T22)	OFF (0) = 0V On (1) = 24V	OFF (0) = 0V On (1) = 24V

## 6.2.22 Timer functions

The timer function allows a digital output to be set/reset periodically. This can be a one-off event or a repeated on an hourly, daily, weekly, monthly or annual basis.

<b>0.52 {9.35}</b>	<b>Timer 1 start date</b>										
RW	Uni							PT	US		
⇅	0 to 311299					⇒	0				

<b>0.53 {9.36}</b>	<b>Timer 1 start time</b>										
RW	Uni							PT	US		
⇅	0.00 to 23.59					⇒	0.00				

<b>0.54 {9.37}</b>	<b>Timer 1 stop date</b>										
RW	Uni							PT	US		
⇅	0 to 311299					⇒	0				

<b>0.55 {9.38}</b>	<b>Timer 1 stop time</b>										
RW	Uni							PT	US		
⇅	0.00 to 23.59					⇒	0.00				

The values in Pr 0.52 to Pr 0.55 determine when the timer output is energized and de-energized. The data format for Pr 0.52 to Pr 0.55 depends upon the selected repeat period (Pr 0.56), see below.

<b>0.56 {9.39}</b>	<b>Timer 1 repeat function</b>										
RW	Uni							PT	US		
⇅	0 to 6					⇒	0				

Pr 0.56	Repeat period	Start		Stop	
		Date	Time	Date	Time
		Pr 0.52	Pr 0.53	Pr 0.54	Pr 0.55
0	None				
1	Every hour		Minutes past each hour (0 to 59)		Minutes past each hour (0 to 59)
2	Every day		Time (hh.mm)		Time (hh.mm)
3	Every week	Day of week*	Time (hh.mm)	Day of week*	Time (hh.mm)
4	Every month	Day of month (0 to 31)	Time (hh.mm)	Day of month (0 to 31)	Time (hh.mm)
5	Every year	Date**	Time (hh.mm)	Date**	Time (hh.mm)
6	One off event	Date**	Time (hh.mm)	Date**	Time (hh.mm)

\* Day of week = 0 to 6, where 0 = Sunday, 1 = Monday etc.

\*\*The format for Pr 0.54 and Pr 0.56 will depend upon the date format (Pr 0.25), mddyymm (US) or ddmmyyyy (Std).

If the date format is changed then Pr 0.52 to Pr 0.55 will be reset.

<b>0.57 {9.40}</b>	<b>Timer 1 enable</b>										
RW	Bit							PT	US		
⇅	OFF (0) or On (1)					⇒	OFF (0)				

The timer function is enabled if Pr 0.57 is set to On (1).

<b>0.58 {9.43}</b>	<b>Timer 1 destination</b>										
RW	Uni							PT	US		
⇅	0.00 to 50.99					⇒	0.00				

The timer destination is determined by the value in Pr 0.58. If Pr 0.58 is not set to a valid destination then the timer will be disabled.



# 7 Running the motor

This chapter takes the new user through all the essential steps to running a motor for the first time, in each of the possible operating modes.

For information on tuning the drive for the best performance, see *Chapter 8 Optimization* on page 118.



Ensure that no damage or safety hazard could arise from the motor starting unexpectedly.


**WARNING**



The values of the motor parameters affect the protection of the motor. The default values in the drive should not be relied upon. It is essential that the correct value is entered in Pr **0.46 Motor rated current**. This affects the thermal protection of the motor.

**CAUTION**



If the keypad mode has been used previously, ensure that the keypad reference has been set to 0 using the  buttons as if the drive is started using the keypad it will run to the speed defined by the keypad reference (Pr **1.17**).

**CAUTION**



If the intended maximum speed affects the safety of the machinery, additional independent over-speed protection must be used.

**WARNING**

## 7.1 Quick start Connections



**Fire Mode - important warning.** When Fire Mode is active the motor overload and thermal protection are disabled, as well as a number of drive protection functions. Fire Mode is provided for use only in emergency situations where the safety risk from disabling protection is less than the risk from the drive tripping - typically in smoke extraction operation to permit evacuation of a building. The use of Fire Mode itself causes a risk of fire from overloading of the motor or drive, so it must only be used after careful consideration of the balance of risks. Care must be taken to prevent inadvertent activation or deactivation of Fire Mode. Fire Mode is indicated by a flashing display text warning "Fire mode active".

Care must be taken to ensure that parameters Pr **1.53** or Pr **1.54** are not inadvertently re-allocated to different inputs or variables. It should be noted that, by default, Pr **1.54** is controlled from digital input 4 and changing Pr **6.04** or Pr **8.24** can re-allocate this digital input to another parameter. These parameters are at access level 2 in order to minimize the risk of inadvertent or unauthorized changes. It is recommended that User Security be applied to further reduce the risk (see section 5.10 *Parameter access level and security* on page 95). These parameters may also be changed via serial communications so adequate precautions should be taken if this functionality is utilized.

**WARNING**

### 7.1.1 Basic requirements

This section shows the basic connections which must be made for the drive to run in the required mode. For minimal parameter settings to run in each mode please see the relevant part of section 7.4 *Quick Start commissioning/start-up* on page 116.

**Table 7-1 Minimum control connection requirements for each control mode**

Drive control method	Requirements
Terminal mode	Drive Enable Speed reference Run forward or run reverse command
Keypad mode	Drive Enable
Serial communications	Drive Enable Serial communications link

For Solutions Module terminal information see section 11.14 *Menus 15 and 16: Solutions Module set-up* on page 187 or the appropriate Solutions Module option user guide.

## 7.2 Changing the operating mode

Changing the operating mode returns all parameters to their default value, including the motor parameters. (Pr **0.49** and Pr **0.34** are not affected by this procedure.)

### Procedure


Use the following procedure only if a different operating mode is required:

- Enter either of the following values in Pr **xx.00**, as appropriate:  
1253 (EUR, 50Hz AC supply frequency)  
1254 (USA, 60Hz AC supply frequency)
- Change the setting of Pr **0.48** as follows:

Pr 0.48 setting		Operating mode
0.48 OPEN LP	1	Open-loop
0.48 r f c	2	RFC mode

The figures in the second column apply when serial communications are used.

- Either:

- Press the red  reset button
- Toggle the reset digital input
- Carry out a drive reset through serial communications by setting Pr **10.38** to 100 (ensure that Pr. **xx.00** returns to 0).

## 7.3 Changing keypad mode

Pressing the following keypad buttons selects the keypad mode

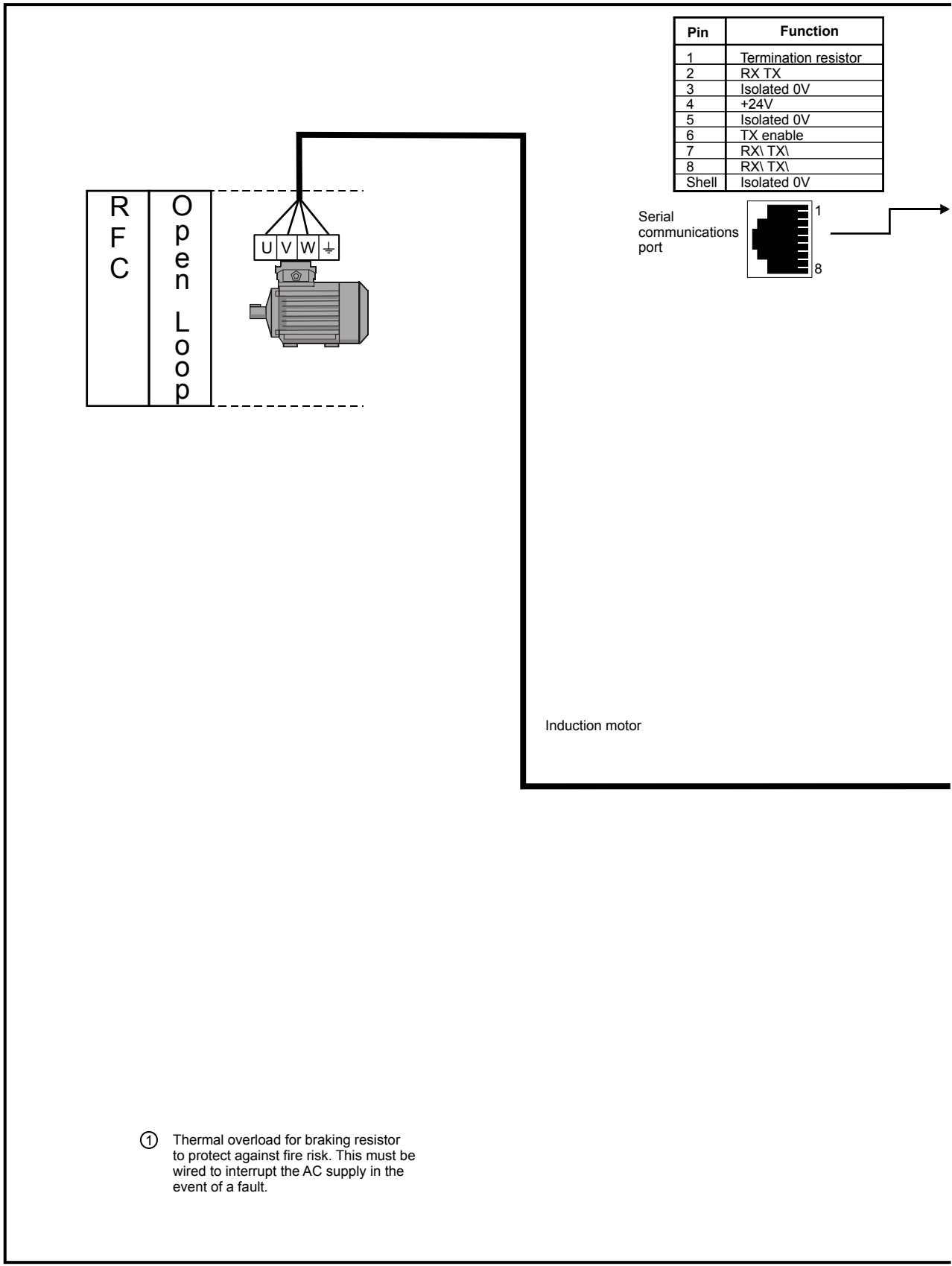
- Blue  - Auto
- Red  - Off
- Green  - Hand

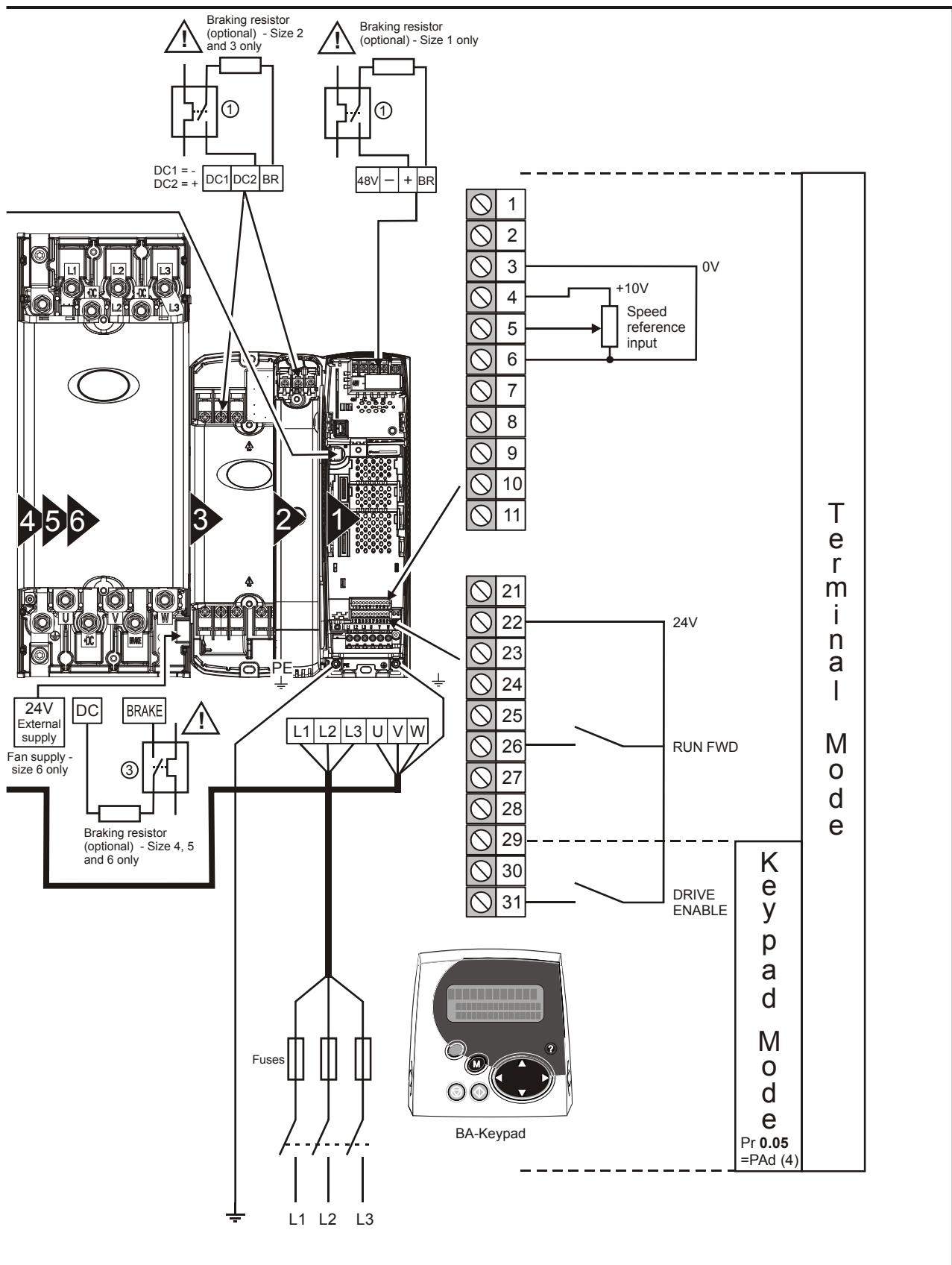
In Hand mode, the motor speed is adjusted by pressing the keypad up/down arrow buttons.

In Auto mode, the motor speed control reference is determined by the value set in the speed/frequency reference selector Pr **0.05**. If hand mode is selected then the motor speed will not change during the transition.

In Off mode, the motor will be stopped but pressing the keypad up/down arrow buttons will allow the keypad control reference Pr **1.17** to be adjusted. Selecting Hand mode will then ramp the motor up to the selected speed.



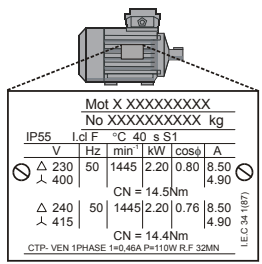
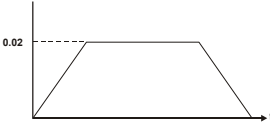
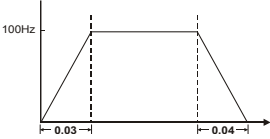



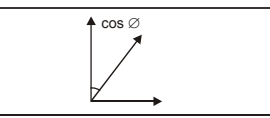
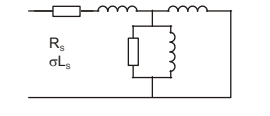


Figure 7-1 Minimum connections to get the motor running in any operating mode







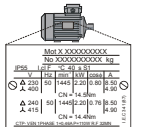
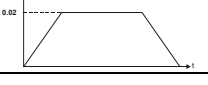
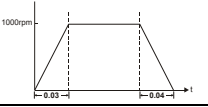



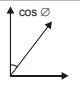
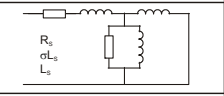
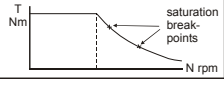


## 7.4 Quick Start commissioning/start-up

### 7.4.1 Open loop

Action	Detail	
Before power-up	Ensure: <ul style="list-style-type: none"> <li>The drive enable signal is not given (terminal 31)</li> <li>Run signal is not given</li> <li>Motor is connected</li> </ul>	
Power-up the drive	Ensure: <ul style="list-style-type: none"> <li>Drive displays 'inh'</li> <li>Set the drive in open loop mode. See section 5.6 <i>Changing the operating mode</i> on page 95. If the drive trips, see Chapter 13 <i>Diagnostics</i> on page 244.</li> </ul>	
Enter motor nameplate details	Enter: <ul style="list-style-type: none"> <li>Motor rated frequency in Pr <b>0.47</b> (Hz)</li> <li>Motor rated current in Pr <b>0.46</b> (A)</li> <li>Motor rated speed in Pr <b>0.45</b> (rpm)</li> <li>Motor rated voltage in Pr <b>0.44</b> (V) - check if <math>\Delta</math> or <math>\Delta</math> connection</li> </ul>	
Set maximum frequency	Enter: <ul style="list-style-type: none"> <li>Maximum frequency in Pr <b>0.02</b> (Hz)</li> </ul>	
Set acceleration / deceleration rates	Enter: <ul style="list-style-type: none"> <li>Acceleration rate in Pr <b>0.03</b> (s/100Hz)</li> <li>Deceleration rate in Pr <b>0.04</b> (s/100Hz) (If braking resistor installed, set Pr <b>0.15</b> = FAST. Also ensure Pr <b>10.30</b> and Pr <b>10.31</b> are set correctly, otherwise premature 'lt.br' trips may be seen.)</li> </ul>	
Autotune	<p>The drive is able to perform either a stationary or a rotating autotune. The motor must be at a standstill before an autotune is enabled. A rotating autotune should be used whenever possible so the measured value of power factor of the motor is used by the drive.</p> <div style="border: 1px solid black; padding: 5px; margin-bottom: 10px;">  <p>A rotating autotune will cause the motor to accelerate up to <math>\frac{2}{3}</math> base speed in the direction selected regardless of the reference provided. Once complete the motor will coast to a stop. The enable signal must be removed before the drive can be made to run at the required reference. The drive can be stopped at any time by removing the run signal or removing the drive enable.</p> </div> <ul style="list-style-type: none"> <li>A stationary autotune can be used when the motor is loaded and it is not possible to uncouple the load from the motor shaft. A stationary autotune measures the stator resistance of the motor and the voltage offset in the drive. These are required for good performance in vector control modes. A stationary autotune does not measure the power factor of the motor so the value on the motor nameplate must be entered into Pr <b>0.43</b>.</li> <li>A rotating autotune should only be used if the motor is uncoupled. A rotating autotune first performs a stationary autotune before rotating the motor at <math>\frac{2}{3}</math> base speed in the direction selected. The rotating autotune measures the power factor of the motor.</li> </ul> <p>To perform an autotune:</p> <ul style="list-style-type: none"> <li>Set Pr <b>0.40</b> = 1 for a stationary autotune or set Pr <b>0.40</b> = 2 for a rotating autotune</li> <li>Close the Drive Enable signal (terminal 31). The drive will display 'rdY' or 'Off'.</li> <li>Press the blue  auto or green  hand button. The display will flash 'Autotune in progress', while the drive is performing the autotune.</li> <li>Wait for the drive to display 'rdY' or 'inh' and for the motor to come to a standstill.</li> </ul> <p>If the drive trips, see Chapter 13 <i>Diagnostics</i> on page 244. Remove the drive enable and run signal from the drive.</p>	 
Save parameters	Enter 1000 in Pr <b>xx.00</b> Press the red  reset button or toggle the reset digital input (ensure Pr <b>xx.00</b> returns to 0)	
Run	Drive is now ready to run	

## 7.4.2 RFC mode

### Induction motor

Action	Detail	
Before power-up	Ensure: <ul style="list-style-type: none"> <li>Drive Enable signal is not given (terminal 31)</li> <li>Run signal is not given</li> <li>Motor and feedback device are connected</li> </ul>	
Power-up the drive	Ensure: <ul style="list-style-type: none"> <li>Drive displays 'inh'</li> <li>Set the drive in RFC mode. See section 5.6 <i>Changing the operating mode</i> on page 95.</li> </ul> If the drive trips, see Chapter 13 <i>Diagnostics</i> on page 244.	
Enter motor nameplate details	Enter: <ul style="list-style-type: none"> <li>Motor rated frequency in Pr <b>0.47</b> (Hz)</li> <li>Motor rated current in Pr <b>0.46</b> (A)</li> <li>Motor rated speed (base speed - slip speed) in Pr <b>0.45</b> (rpm)</li> <li>Motor rated voltage in Pr <b>0.44</b> (V) - check if <math>\Delta</math> or <math>\text{Y}</math> connection</li> </ul>	
Set maximum speed	Enter: <ul style="list-style-type: none"> <li>Maximum speed in Pr <b>0.02</b> (rpm)</li> </ul>	
Set acceleration / deceleration rates	Enter: <ul style="list-style-type: none"> <li>Acceleration rate in Pr <b>0.03</b> (s/1000rpm)</li> <li>Deceleration rate in Pr <b>0.04</b> (s/1000rpm) (If braking resistor installed, set Pr <b>0.15</b> = FAST. Also ensure Pr <b>10.30</b> and Pr <b>10.31</b> are set correctly, otherwise premature 'lt.br' trips may be seen.)</li> </ul>	
Select or deselect catch a spinning motor mode	If catch a spinning motor mode is not required then set Pr <b>6.09</b> to 0. If catch a spinning motor mode is required then leave Pr <b>6.09</b> at the default of 1, but depending on the size of the motor the value in Pr <b>5.40</b> may need to be adjusted. Pr <b>5.40</b> defines a scaling function used by the algorithm that detects the speed of the motor. The default value of Pr <b>5.40</b> is 1 which is suitable for small motors (<4kW). For larger motors the value in Pr <b>5.40</b> will need to be increased. Approximate values of Pr <b>5.40</b> for different motor sizes are as follows, 2 for 11kW, 3 for 55kW and 5 for 150kW. If the value of Pr <b>5.40</b> is too large the motor may accelerate from standstill when the drive is enabled. If the value of this parameter is too small the drive will detect the motor speed as zero even if the motor is spinning.	
Autotune	<p>The drive is able to perform either a stationary or a rotating autotune. The motor must be at a standstill before an autotune is enabled. A stationary autotune will give moderate performance whereas a rotating autotune will give improved performance as it measures the actual values of the motor parameters required by the drive.</p> <p><b>NOTE</b> It is highly recommended that a rotating autotune is performed (Pr <b>0.40</b> set to 2).</p> <div style="border: 1px solid black; padding: 5px; margin: 5px 0;">  <p>A rotating autotune will cause the motor to accelerate up to <math>\frac{2}{3}</math> base speed in the direction selected regardless of the reference provided. Once complete the motor will coast to a stop. The enable signal must be removed before the drive can be made to run at the required reference.</p> </div> <div style="border: 1px solid black; padding: 5px; margin: 5px 0;"> <p><b>WARNING</b> The drive can be stopped at any time by removing the run signal or removing the drive enable.</p> </div> <ul style="list-style-type: none"> <li>A stationary autotune can be used when the motor is loaded and it is not possible to uncouple the load from the motor shaft. The stationary autotune measures the stator resistance and transient inductance of the motor. These are used to calculate the current loop gains, and at the end of the test the values in Pr <b>0.38</b> and Pr <b>0.39</b> are updated. A stationary autotune does not measure the power factor of the motor so the value on the motor nameplate must be entered into Pr <b>0.43</b>.</li> <li>A rotating autotune should only be used if the motor is uncoupled. A rotating autotune first performs a stationary autotune before rotating the motor at <math>\frac{2}{3}</math> base speed in the direction selected. The rotating autotune measures the stator inductance of the motor and calculates the power factor.</li> </ul> <p>To perform an autotune:</p> <ul style="list-style-type: none"> <li>Set Pr <b>0.40</b> = 1 for a stationary autotune or set Pr <b>0.40</b> = 2 for a rotating autotune</li> <li>Close the Drive Enable signal (terminal 31). The drive will display 'rdY' or 'Off'.</li> <li>Press the blue  auto or green  hand button. The display will flash 'Autotune in progress', while the drive is performing the autotune.</li> <li>Wait for the drive to display 'rdY' or 'inh' and for the motor to come to a standstill</li> </ul> <p>If the drive trips, see Chapter 13 <i>Diagnostics</i> on page 244.            Remove the drive enable and run signal from the drive.</p>	  
Save parameters	Enter 1000 in Pr <b>xx.00</b> Press the red  reset button or toggle the reset digital input (ensure Pr <b>xx.00</b> returns to 0)	
Run	Drive is now ready to run	

## 8 Optimization

This chapter takes the user through methods of optimizing the product set-up, maximizing performance. The auto-tuning features of the drive simplify this task.

### 8.1 Motor map parameters

#### 8.1.1 Open loop motor control

<b>Pr 0.46 {5.07} Motor rated current</b>	<b>Defines the maximum continuous motor current</b>
<p>The motor rated current parameter must be set to the maximum continuous current of the motor. The motor rated current is used in the following:</p> <ul style="list-style-type: none"> <li>• Current limits (see section 8.2 <i>Current limits</i> on page 124, for more information)</li> <li>• Motor thermal overload protection (see section 8.3 <i>Motor thermal protection</i> on page 124, for more information)</li> <li>• Vector mode voltage control (see Voltage mode Pr <b>0.07</b>, later in this table)</li> <li>• Slip compensation (see Slip compensation Pr <b>5.27</b>, later in this table)</li> <li>• Dynamic V/F control</li> </ul>	
<b>Pr 0.44 {5.09} Motor rated voltage</b>	<b>Defines the voltage applied to the motor at rated frequency</b>
<b>Pr 0.47 {5.06} Motor rated frequency</b>	<b>Defines the frequency at which rated voltage is applied</b>
<p>The motor rated voltage Pr <b>0.44</b> and the motor rated frequency Pr <b>0.47</b> are used to define the voltage to frequency characteristic applied to the motor (see voltage mode Pr <b>0.07</b>, later in this table). The motor rated frequency is also used in conjunction with the motor rated speed to calculate the rated slip for slip compensation (see motor rated speed Pr <b>0.45</b>, later in this table).</p>	
<b>Pr 0.45 {5.08} Motor rated speed</b>	<b>Defines the full load rated speed of the motor</b>
<b>Pr 0.42 {5.11} Motor number of poles</b>	<b>Defines the number of motor poles</b>
<p>The motor rated speed and the number of poles are used with the motor rated frequency to calculate the rated slip of induction machines in Hz.</p> $\text{Rated slip (Hz)} = \text{Motor rated frequency} - (\text{Number of pole pairs} \times [\text{Motor rated speed} / 60]) = 0.47 - \left( \frac{0.42}{2} \times \frac{0.45}{60} \right)$ <p>If Pr <b>0.45</b> is set to 0 or to synchronous speed, slip compensation is disabled. If slip compensation is required this parameter should be set to the nameplate value, which should give the correct rpm for a hot machine. Sometimes it will be necessary to adjust this when the drive is commissioned because the nameplate value may be inaccurate. Slip compensation will operate correctly both below base speed and within the field-weakening region. Slip compensation is normally used to correct for the motor speed to prevent speed variation with load. The rated load rpm can be set higher than synchronous speed to deliberately introduce speed droop. This can be useful to aid load sharing with mechanically coupled motors.</p> <p>Pr <b>0.42</b> is also used in the calculation of the motor speed display by the drive for a given output frequency. When Pr <b>0.42</b> is set to 'Auto', the number of motor poles is automatically calculated from the rated frequency Pr <b>0.47</b>, and the motor rated speed Pr <b>0.45</b>.</p> $\text{Number of poles} = 120 \times (\text{Motor rated frequency Pr } 0.47 / \text{Motor rated speed Pr } 0.45) \text{ rounded to the nearest even number}$	
<b>Pr 0.43 {5.10} Motor rated power factor</b>	<b>Defines the angle between the motor voltage and current</b>
<p>The power factor is the true power factor of the motor, i.e. the angle between the motor voltage and current. The power factor is used in conjunction with the motor rated current Pr <b>0.46</b>, to calculate the rated active current and magnetising current of the motor. The rated active current is used extensively to control the drive, and the magnetising current is used in vector mode stator resistance compensation. It is important that this parameter is set up correctly. The drive can measure the motor rated power factor by performing a rotating autotune (see Autotune Pr <b>0.40</b>, below).</p>	
<b>Pr 0.40 {5.12} Autotune</b>	
<p>There are two autotune tests available in open loop mode, a stationary and a rotating test. A rotating autotune should be used whenever possible so the measured value of power factor of the motor is used by the drive.</p> <ul style="list-style-type: none"> <li>• A stationary autotune can be used when the motor is loaded and it is not possible to remove the load from the motor shaft. The stationary test measures the stator resistance (Pr <b>5.17</b>) and voltage offset (Pr <b>5.23</b>), which are required for good performance in vector control modes (see Voltage mode Pr <b>0.07</b>, later in this table). The stationary autotune does not measure the power factor of the motor so the value on the motor nameplate must be entered into Pr <b>0.43</b>. To perform a Stationary autotune, set Pr <b>0.40</b> to 1, and provide the drive with both an enable signal (on terminal 31) and press the green (Hand) button.</li> <li>• A rotating autotune should only be used if the motor is unloaded. A rotating autotune first performs a stationary autotune, as above, before rotating the motor at <math>\frac{2}{3}</math> base speed in the direction selected for several seconds (regardless of the speed reference). In addition to the stator resistance (Pr <b>5.17</b>) and voltage offset (Pr <b>5.23</b>), the rotating autotune measures the power factor of the motor and updates Pr <b>0.43</b> with the correct value. To perform a Rotating autotune, set Pr <b>0.40</b> to 2, and provide the drive with both an enable signal (on terminal 31) and press the green (Hand) button.</li> </ul> <p>Following the completion of an autotune test the drive will go into the inhibit state. The drive must be placed into a controlled disable condition before the drive can be made to run at the required reference. The drive can be put in to a controlled disable condition by removing the Drive enable signal from terminal 31, setting the drive enable parameter Pr <b>6.15</b> to OFF (0) or disabling the drive via the control word (Pr <b>6.42</b> &amp; Pr <b>6.43</b>).</p>	

## Pr 0.07 {5.14} Voltage mode

There are six voltage modes available which fall into two categories, vector control and fixed boost.

### Vector control

Vector control mode provides the motor with a linear voltage characteristic from 0Hz to motor rated frequency (Pr 0.47), and then a constant voltage above motor rated frequency. When the drive operates between motor rated frequency/50 and motor rated frequency/4, full vector based stator resistance compensation is applied. When the drive operates between motor rated frequency/4 and motor rated frequency/2 the stator resistance compensation is gradually reduced to zero as the frequency increases. For the vector modes to operate correctly the motor rated power factor (Pr 0.43), stator resistance (Pr 5.17) and voltage offset (Pr 5.23) are all required to be set up accurately. The drive can be made to measure these by performing an autotune (see Pr 0.40 Autotune). The drive can also be made to measure the stator resistance and voltage offset automatically every time the drive is enabled or the first time the drive is enabled after it is powered up, by selecting one of the vector control voltage modes.

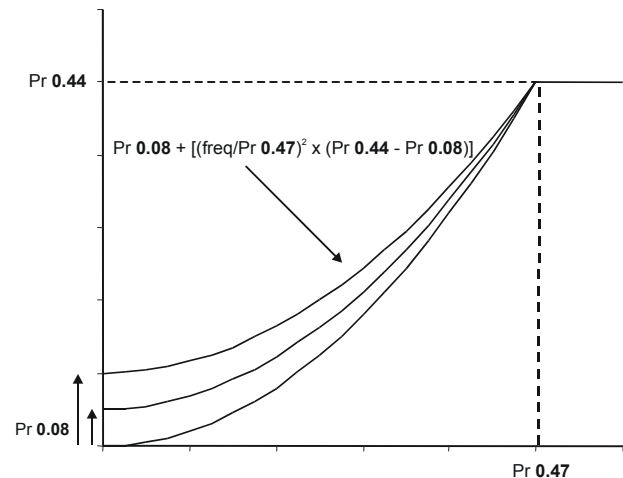
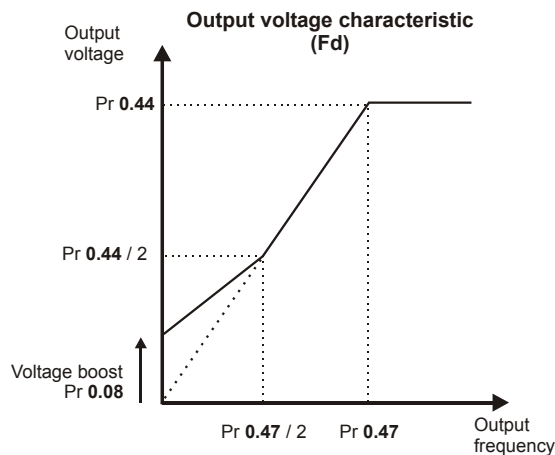
- (0) **Ur\_S** = The stator resistance and the voltage offset are measured and the parameters for the selected motor map are over-written each time the drive is made to run. This test can only be done with a stationary motor where the flux has decayed to zero. Therefore this mode should only be used if the motor is guaranteed to be stationary each time the drive is made to run. To prevent the test from being done before the flux has decayed there is a period of 1 second after the drive has been in the ready state during which the test is not done if the drive is made to run again. In this case, previously measured values are used. Ur\_s mode ensures that the drive compensates for any change in motor parameters due to changes in temperature. The new values of stator resistance and voltage offset are not automatically saved to the drive's EEPROM.
- (4) **Ur\_I** = The stator resistance and voltage offset are measured when the drive is first made to run after each power-up. This test can only be done with a stationary motor. Therefore this mode should only be used if the motor is guaranteed to be stationary the first time the drive is made to run after each power-up. The new values of stator resistance and voltage offset are not automatically saved to the drive's EEPROM.
- (1) **Ur** = The stator resistance and voltage offset are not measured. The user can enter the motor and cabling resistance into the stator resistance parameter (Pr 5.17). However this will not include resistance effects within the drive inverter. Therefore if this mode is to be used, it is best to use an autotune test initially to measure the stator resistance and voltage offset.
- (3) **Ur\_Auto** = The stator resistance and voltage offset are measured once, the first time the drive is made to run. After the test has been completed successfully the voltage mode (Pr 0.07) is changed to Ur mode. The stator resistance (Pr 5.17) and voltage offset (Pr 5.23) parameters are written to, and along with the voltage mode (Pr 0.07), are saved in the drive's EEPROM. If the test fails, the voltage mode will stay set to Ur\_Auto and the test will be repeated next time the drive is made to run.

### Fixed boost

Neither the stator resistance nor the voltage offset are used in the control of the motor, instead a fixed characteristic with low frequency voltage boost as defined by parameter Pr 0.08, is used. Fixed boost mode should be used when the drive is controlling multiple motors. There are two settings of fixed boost available:

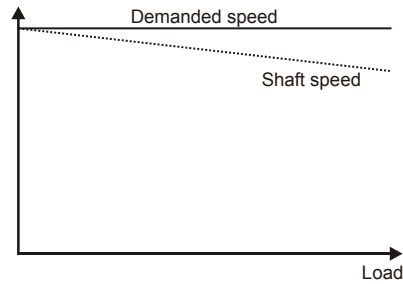
- (2) **Fd** = This mode provides the motor with a linear voltage characteristic from 0Hz to rated frequency (Pr 0.47), and then a constant voltage above rated frequency.
- (5) **SrE** = This mode provides the motor with a square law voltage characteristic from 0Hz to rated frequency (Pr 0.47), and then a constant voltage above rated frequency. This mode is suitable for variable torque applications like fans and pumps where the load is proportional to the square of the speed of the motor shaft. This mode should not be used if a high starting torque is required.

For both these modes, at low frequencies (from 0Hz to  $\frac{1}{2} \times$  Pr 0.47) a voltage boost is applied defined by Pr 0.08 as shown below:



## Pr 5.27 Slip compensation

When a motor, being controlled in open loop mode, has load applied a characteristic of the motor is that the output speed droops in proportion to the load applied as shown:



In order to prevent the speed droop shown above slip compensation should be enabled.

To enable slip compensation Pr **5.27** must be set to a 1 (this is the default setting), and the motor rated speed must be entered in Pr **0.45** (Pr **5.08**). The motor rated speed parameter should be set to the synchronous speed of the motor minus the slip speed. This is normally displayed on the motor nameplate, i.e. for a typical 18.5kW, 50Hz, 4 pole motor, the motor rated speed would be approximately 1465rpm. The synchronous speed for a 50Hz, 4 pole motor is 1500rpm, so therefore the slip speed would be 35rpm.

If the synchronous speed is entered in Pr **0.45**, slip compensation will be disabled. If too small a value is entered in Pr **0.45**, the motor will run faster than the demanded frequency.

The synchronous speeds for 50Hz motors with different numbers of poles are as follows:

2 pole = 3000rpm, 4 pole = 1500rpm, 6pole =1000rpm, 8 pole = 750rpm



## 8.1.2 RFC mode

### Pr 0.46 {5.07} Motor rated current

Defines the maximum motor continuous current

The motor rated current parameter must be set to the maximum continuous current of the motor. The motor rated current is used in the following:

- Current limits (see section 8.2 *Current limits* on page 124, for more information)
- Motor thermal overload protection (see section 8.3 *Motor thermal protection* on page 124, for more information)
- Vector control algorithm

### Pr 0.44 {5.09} Motor rated voltage

Defines the voltage applied to the motor at rated frequency

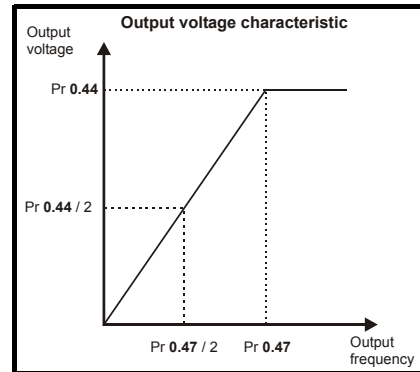
### Pr 0.47 {5.06} Motor rated frequency

Defines the frequency at which rated voltage is applied

The motor rated voltage Pr **0.44** and the motor rated frequency Pr **0.47** are used to define the relationship between the voltage and frequency applied to the motor, as shown.

The motor rated voltage is used by the field controller to limit the voltage applied to the motor. Normally this is set to the nameplate value. To allow current control to be maintained, it is necessary for the drive to leave some 'headroom' between the motor terminal voltage and the maximum available drive output voltage. For good transient performance at high speed, the motor rated voltage should be set below 95% of the minimum supply voltage to the drive.

The motor rated voltage and motor rated frequency are also used during the rotating autotune test (see Autotune Pr **0.40** later in this table) and in the calculations required for automatic optimization of the motor rated speed (see Motor rated speed optimization Pr **5.16**, later in this table). Therefore, it is important that the correct value for motor rated voltage is used.



### Pr 0.45 {5.08} Motor rated speed

Defines the full load rated speed of the motor

### Pr 0.42 {5.11} Motor number of poles

Defines the number of motor poles

The motor rated speed and motor rated frequency are used to determine the full load slip of the motor which is used by the vector control algorithm. Incorrect setting of this parameter has the following effects:

- Reduced efficiency of motor operation
- Reduction of maximum torque available from the motor
- Reduced transient performance
- Inaccurate control of absolute torque in torque control modes

The nameplate value is normally the value for a hot motor; however, some adjustment may be required when the drive is commissioned if the nameplate value is inaccurate. Either a fixed value can be entered in this parameter or an optimization system may be used to automatically adjust this parameter (see Motor rated speed autotune Pr **5.16**, later in this table).

When Pr **0.42** is set to 'Auto', the number of motor poles is automatically calculated from the motor rated frequency Pr **0.47**, and the motor rated speed Pr **0.45**

$$\text{Number of poles} = 120 \times (\text{Motor rated frequency Pr } 0.47 / \text{Motor rated speed Pr } 0.45) \text{ rounded to the nearest even number}$$

### Pr 0.43 {5.10} Motor rated power factor

Defines the angle between the motor voltage and current

The power factor is the true power factor of the motor, i.e. the angle between the motor voltage and current. If the stator inductance is set to zero (Pr **5.25**) then the power factor is used in conjunction with the motor rated current Pr **0.46** and other motor parameters to calculate the rated active and magnetising currents of the motor, which are used in the vector control algorithm. If the stator inductance has a non-zero value this parameter is not used by the drive, but is continuously written with a calculated value of power factor. The stator inductance can be measured by the drive by performing a rotating autotune (see Autotune Pr **0.40**, later in this table).

### Pr 0.40 {5.12} Autotune

There are three autotune tests available in RFC mode, a stationary test, a rotating test and an inertia measurement test. A stationary autotune will give moderate performance whereas a rotating autotune will give improved performance as it measures the actual values of the motor parameters required by the drive. An inertia measurement test should be performed separately to a stationary or rotating autotune.

#### NOTE

It is highly recommended that a rotating autotune is performed (Pr 0.40 set to 2).

- A stationary autotune can be used when the motor is loaded and it is not possible to remove the load from the motor shaft. The stationary autotune measures the stator resistance (Pr 5.17) and transient inductance (Pr 5.24) of the motor. These are used to calculate the current loop gains, and at the end of the test the values in Pr 4.13 and Pr 4.14 are updated. A stationary autotune does not measure the power factor of the motor so the value on the motor nameplate must be entered into Pr 0.43. To perform a Stationary autotune, set Pr 0.40 to 1, and provide the drive with both an enable signal (on terminal 31) and press the green (Hand) button.
- A rotating autotune should only be used if the motor is unloaded. A rotating autotune first performs a stationary autotune before rotating the motor at  $\frac{2}{3}$  of motor rated frequency in the direction selected for approximately 30s. During the rotating autotune the stator inductance (Pr 5.25), and the motor saturation breakpoints (Pr 5.29 and Pr 5.30) are modified by the drive. The power factor is also modified for user information only, but is not used after this point as the stator inductance is used in the vector control algorithm instead. To perform a Rotating autotune, set Pr 0.40 to 2, and provide the drive with both an enable signal (on terminal 31) and press the green (Hand) button.
- The inertia measurement test can measure the total inertia of the load and the motor. This is used to set the speed loop gains (see *Speed loop gains*) and to provide torque feed-forwards when required during acceleration.

During the inertia measurement test the drive attempts to accelerate the motor in the direction selected up to  $\frac{3}{4}$  x rated load rpm and then back to standstill. The drive uses rated torque/16, but if the motor cannot be accelerated to the required speed the drive then increases the torque progressively to  $x^{1/8}$ ,  $x^{1/4}$ ,  $x^{1/2}$  and  $x1$  rated torque. If the required speed is not achieved on the final attempt the test is aborted and a tunE1 trip is initiated. If the test is successful the acceleration and deceleration times are used to calculate the motor and load inertia which is then written to Pr 3.18. The motor map parameters must be set up correctly including the power factor before performing an inertia measurement test. To perform an Inertia measurement autotune, set Pr 0.40 to 3, and provide the drive with both an enable signal (on terminal 31) and a run signal.

Following the completion of an autotune test the drive will go into the inhibit state. The drive must be placed into a controlled disable condition before the drive can be made to run at the required reference. The drive can be put in to a controlled disable condition by removing the Drive enable signal from terminal 31, setting the drive enable parameter Pr 6.15 to OFF (0) or disabling the drive via the control word (Pr 6.42 & Pr 6.43).

### Pr 0.38 {4.13} / Pr 0.39 {4.14} Current loop gains

The current loop gains proportional (Kp) and integral (Ki) gains control the response of the current loop to a change in current (torque) demand. The default values give satisfactory operation with most motors. However, for optimal performance in dynamic applications it may be necessary to change the gains to improve the performance. The proportional gain (Pr 4.13) is the most critical value in controlling the performance. The values for the current loop gains can be calculated by one of the following:

- During a stationary or rotating autotune (see *Autotune Pr 0.40*, earlier in this table) the drive measures the stator resistance (Pr 5.17) and transient inductance (Pr 5.24) of the motor and calculates the current loop gains.
- By setting Pr 0.40 to 4 the drive will calculate the current loop gains from the values of stator resistance (Pr 5.17) and transient inductance (Pr 5.24) set in the drive.

This will give a step response with minimum overshoot after a step change of current reference. The proportional gain can be increased by a factor of 1.5 giving a similar increase in bandwidth; however, this gives a step response with approximately 12.5% overshoot. The equation for the integral gain gives a conservative value. In some applications where it is necessary for the reference frame used by the drive to dynamically follow the flux very closely (i.e. high speed RFC induction motor applications) the integral gain may need to have a significantly higher value.

### Pr 3.42 Drive encoder filter

In RFC mode Pr 3.42 defines a filter on the output of the speed estimator which is used as the speed feedback. A filter with a 4ms time constant is always present on the output of the speed estimator, but this filter may be extended as follows:

0 = 4ms, 1 = 8ms, 2 = 16ms, 3 = 32ms, 4 = 64ms, 5 = 128ms.

The output of the speed estimator can include some ripple, which increases as the drive passes into field weakening and the filter can be used to remove this ripple. This is particularly useful when using standard ramp or spinning start with a low friction, high inertia load, and can prevent over voltage trips when the drive has no braking resistor.

### Pr 5.40 Spin start boost

If Pr 6.09 is set to enable the catch a spinning motor function in open-loop mode or RFC modes, this parameter defines a scaling function used by the algorithm that detects the speed of the motor. It is likely that for smaller motors (~4kW) the default value of 1.0 is suitable, but for larger motors this parameter may need to be increased. If the value of this parameter is too large the motor may accelerate from standstill when the drive is enabled. If the value of this parameter is too small the drive will detect the motor speed as zero even if the motor is spinning.

## Speed loop gains (Pr 0.07 {3.10}, Pr 0.08 {3.11}, Pr 0.09 {3.12})

The speed loop gains control the response of the speed controller to a change in speed demand. The speed controller includes proportional (Kp) and integral (Ki) feed forward terms, and a differential (Kd) feedback term. The drive holds two sets of these gains and either set may be selected for use by the speed controller with Pr 3.16. If Pr 3.16 = 0, gains Kp1, Ki1 and Kd1 (Pr 0.07 to Pr 0.09) are used, and if Pr 3.16 = 1, gains Kp2, Ki2 and Kd2 (Pr 3.13 to Pr 3.15) are used. Pr 3.16 may be changed when the drive is enabled or disabled. If the load is predominantly a constant inertia and constant torque, the drive can calculate the required Kp and Ki gains to give a required compliance angle or bandwidth dependant on the setting of Pr 3.17.

### Proportional gain (Kp), Pr 0.07 {3.10} and Pr 3.13

If the proportional gain has a value and the integral gain is set to zero the controller will only have a proportional term, and there must be a speed error to produce a torque reference. Therefore as the motor load increases there will be a difference between the reference and actual speeds. This effect, called regulation, depends on the level of the proportional gain, the higher the gain the smaller the speed error for a given load. If the proportional gain is too high either the acoustic noise produced by speed feedback quantization becomes unacceptable, or the stability limit is reached.

### Integral gain (Ki), Pr 0.08 {3.11} and Pr 3.14

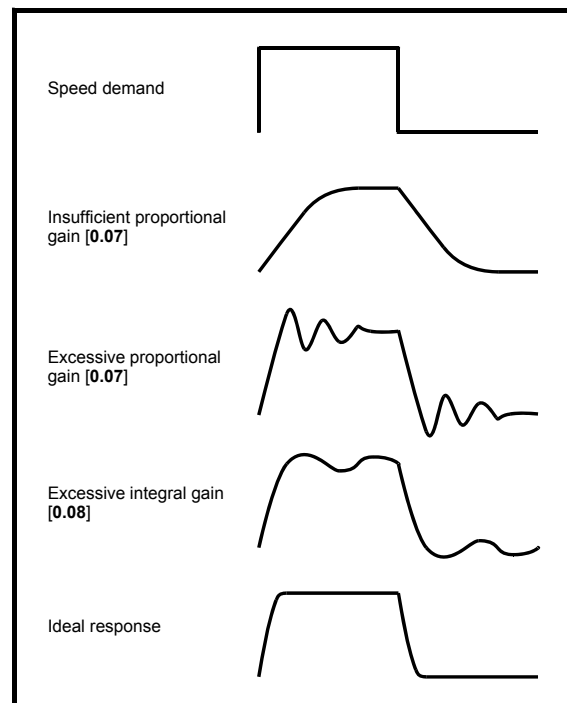
The integral gain is provided to prevent speed regulation. The error is accumulated over a period of time and used to produce the necessary torque demand without any speed error. Increasing the integral gain reduces the time taken for the speed to reach the correct level and increases the stiffness of the system, i.e. it reduces the positional displacement produced by applying a load torque to the motor. Unfortunately increasing the integral gain also reduces the system damping giving overshoot after a transient. For a given integral gain the damping can be improved by increasing the proportional gain. A compromise must be reached where the system response, stiffness and damping are all adequate for the application. For RFC mode, it is unlikely that the integral gain can be increased much above 0.50.

### Differential gain (Kd), Pr 0.09 {3.12} and Pr 3.15

The differential gain is provided in the feedback of the speed controller to give additional damping. The differential term is implemented in a way that does not introduce excessive noise normally associated with this type of function. Increasing the differential term reduces the overshoot produced by under-damping, however, for most applications the proportional and integral gains alone are sufficient.

There are three methods of tuning the speed loop gains dependant on the setting of Pr 3.17:

- Pr 3.17 = 0, User set-up.  
This involves the connecting of an oscilloscope to analog output 1 to monitor the speed feedback.  
Give the drive a step change in speed reference and monitor the response of the drive on the oscilloscope.  
The proportional gain (Kp) should be set up initially. The value should be increased up to the point where the speed overshoots and then reduced slightly.  
The integral gain (Ki) should then be increased up to the point where the speed becomes unstable and then reduced slightly.  
It may now be possible to increase the proportional gain to a higher value and the process should be repeated until the system response matches the ideal response as shown.  
The diagram shows the effect of incorrect P and I gain settings as well as the ideal response.
- Pr 3.17 = 1, Bandwidth set-up  
If bandwidth based set-up is required, the drive can calculate Kp and Ki if the following parameters are set up correctly:  
Pr 3.20 - Required bandwidth,  
Pr 3.21 - Required damping factor,  
Pr 3.18 - Motor and load inertia. The drive can be made to measure the motor and load inertia by performing an inertia measurement autotune (see Autotune Pr 0.40, earlier in this table).
- Pr 3.17 = 2, Compliance angle set-up  
If compliance angle based set-up is required, the drive can calculate Kp and Ki if the following parameters are set up correctly:  
Pr 3.19 - Required compliance angle,  
Pr 3.21 - Required damping factor,  
Pr 3.18 - Motor and load inertia. The drive can be made to measure the motor and load inertia by performing an inertia measurement autotune (see Autotune Pr 0.40, earlier in this table).



## 8.2 Current limits

The default settings for the current limit parameters are:

- 113% x motor rated current for open loop mode
- 114% x motor rated current for RFC mode

There are three parameters which control the current limits:

- Motoring current limit: power flowing from the drive to the motor
- Regen current limit: power flowing from the motor to the drive
- Symmetrical current limit: current limit for both motoring and regen operation

The lowest of either the motoring and regen current limit, or the symmetrical current limit applies.

The maximum setting of these parameters depends on the values of motor rated current, drive rated current and the power factor.

The drive can be oversized to permit a higher current limit setting to provide higher accelerating torque as required up to a maximum of 1000%.

## 8.3 Motor thermal protection

The drive models the temperature of the motor using the motor rated current (Pr 5.07), the thermal time constant (Pr 4.15), whether low speed thermal protection mode has been enabled (Pr 4.25) and the actual current flowing at any point in time. Pr 4.19 gives the estimated motor temperature as a percentage of maximum temperature.

The temperature of the motor (Pr 4.19) as a percentage of maximum temperature, with a constant current magnitude of I, constant value of K and constant value of Motor rated current (Pr 5.07) after time t is given by:

$$\text{Percentage motor temperature (Pr 4.19)} = [I^2 / (K \times \text{Motor rated current}^2)] (1 - e^{-t/\tau}) \times 100\%$$

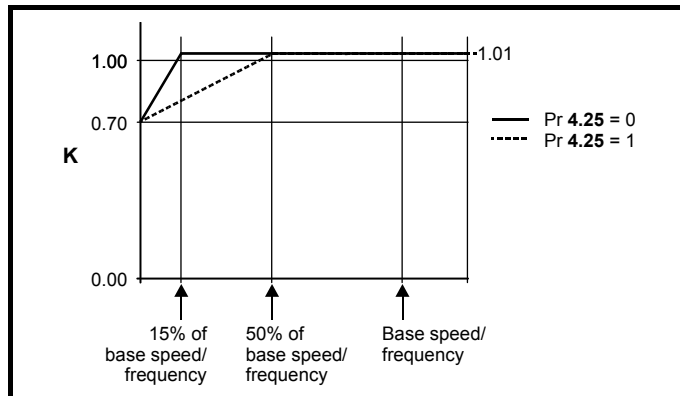
This assumes that the maximum allowed motor temperature is produced by K x Motor rated current and that  $\tau$  is the thermal time constant of the point in the motor that reaches its maximum allowed temperature first.  $\tau$  is defined by Pr 4.15. If Pr 4.15 has a value between 0.0 and 1.0 the thermal time constant is taken as 1.0.

The value of K is defined as shown in Figure 8-1.

Pr 4.25 can be used to select two alternative protection characteristics.

If Pr 4.25 is 0 the characteristic is for a motor which can operate at rated current over the whole speed range. Induction motors with this type of characteristic normally have forced cooling. If Pr 4.25 is 1 the characteristic is intended for motors where the cooling effect of motor fan reduces with reduced motor speed below 50% of base speed/frequency. The maximum value for K is 1.05, so that above the knee of the characteristics the motor can operate continuously up to 105% current.

Figure 8-1 Motor thermal protection



Both settings of Pr 4.25 are intended for motors where the cooling effect of the motor fan reduces with reduced motor speed, but with different speeds below which the cooling effect is reduced. If Pr 4.25 is 0 the characteristic is intended for motors where the cooling effect reduces

with motor speed below 15% of base speed/frequency. If Pr 4.25 is 1 the characteristic is intended for motors where the cooling effect reduces with motor speed below 50% of base speed/frequency. The maximum value for K is 1.01, so that above the knee of the characteristics the motor can operate continuously up to 101% current.

When the estimated temperature in Pr 4.19 reaches 100% the drive takes some action depending on the setting of Pr 4.16. If Pr 4.16 is 0, the drive trips when Pr 4.19 reaches 100%. If Pr 4.16 is 1, the current limit is reduced to  $(K - 0.05) \times 100\%$  when Pr 4.19 reaches 100%. The current limit is set back to the user defined level when Pr 4.19 falls below 95%. The thermal model temperature accumulator is reset to zero at power-up and accumulates the temperature of the motor while the drive remains powered-up. If the rated current defined by Pr 5.07 is altered, the accumulator is reset to zero.

The default setting of the thermal time constant (Pr 4.15) is 89s, which is equivalent to an overload of 150% for 60s from cold.

The time for the drive to trip from cold with constant motor current is given by:

$$T_{\text{trip}} = -(\text{Pr 4.15}) \times \ln(1 - (K \times \text{Pr 5.07} / \text{Pr 4.01})^2)$$

Alternatively the thermal time constant can be calculated from the trip time with a given current from:

$$\text{Pr 4.15} = -T_{\text{trip}} / \ln(1 - (K / \text{Overload})^2)$$

The maximum value for the thermal time constant can be increased up to a maximum value of 3000s to allow an increased overload if the motor thermal characteristics permit.



### Fire Mode - Important Warning.

When Fire Mode is active the motor overload and thermal protection are disabled, as well as a number of drive protection functions. Fire Mode is provided for use only in emergency situations where the safety risk from disabling protection is less than the risk from the drive tripping - typically in smoke extraction operation to permit evacuation of a building. The use of Fire Mode itself causes a risk of fire from overloading of the motor or drive, so it must only be used after careful consideration of the balance of risks.

Care must be taken to prevent inadvertent activation or deactivation of Fire Mode. Fire Mode is indicated by a flashing display text warning "Fire mode active".

Care must be taken to ensure that parameters Pr 1.53 or Pr 1.54 are not inadvertently re-allocated to different inputs or variables. It should be noted that, by default, Pr 1.54 is controlled from digital input 4 and changing Pr 6.04 or Pr 8.24 can re-allocate this digital input to another parameter. These parameters are at access level 2 in order to minimize the risk of inadvertent or unauthorized changes. It is recommended that User Security be applied to further reduce the risk (section 5.10 *Parameter access level and security* on page 95). These parameters may also be changed via serial communications so adequate precautions should be taken if this functionality is utilized.

## 8.4 Switching frequency

The default switching frequency is 3kHz, however this can be increased up to a maximum of 16kHz by Pr 5.18 (dependent on drive size). The available switching frequencies are shown below.

**Table 8-1 Available switching frequencies**

Drive size	Model	3kHz	4kHz	6kHz	8kHz	12kHz	16kHz
1	All	✓	✓	✓	✓	✓	✓
2	All	✓	✓	✓	✓	✓	✓
3	BA320X	✓	✓	✓	✓	✓	
	BA3401 & BA3402	✓	✓	✓	✓	✓	✓
	BA3403	✓	✓	✓	✓	✓	
	BA350X	✓	✓	✓	✓		
4	All	✓	✓	✓	✓		
5	All	✓	✓	✓	✓		
6	All	✓	✓	✓			

If switching frequency is increased from 3kHz the following apply:

- Increased heat loss in the drive, which means that derating to the output current must be applied.  
See the derating tables for switching frequency and ambient temperature in section 12.1.1 *Power and current ratings (Derating for switching frequency and temperature)* on page 222.
- Reduced heating of the motor - due to improved output waveform quality.
- Reduced acoustic noise generated by the motor.
- Increased sample rate on the speed and current controllers. A trade off must be made between motor heating, drive heating and the demands of the application with respect to the sample time required.

**Table 8-2 Sample rates for various control tasks at each switching frequency**

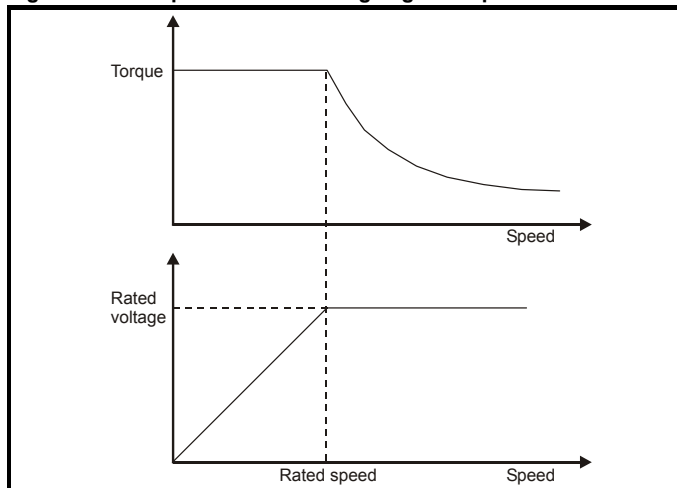
	3, 6, 12 kHz	4, 8, 16 kHz	Open loop	RFC
Level 1	3kHz = 167µs 6kHz = 83µs 12kHz = 83µs	125µs	Peak limit	Current controllers
Level 2	250µs		Current limit and ramps	Speed controller and ramps
Level 3	1ms		Voltage controller	
Level 4	4ms		Time critical user interface	
Background			Non-time critical user interface	

## 8.5 High speed operation

### 8.5.1 Field weakening (constant power) operation

The drive can be used to run an induction machine above synchronous speed into the constant power region. The speed continues to increase and the available shaft torque reduces. The characteristics below show the torque and output voltage characteristics as the speed is increased above the rated value.

**Figure 8-2 Torque and rated voltage against speed**



Care must be taken to ensure the torque available above base speed is sufficient for the application to run satisfactorily.

The saturation breakpoint parameters (Pr 5.29 and Pr 5.30) found during the autotune in RFC mode ensure the magnetizing current is reduced in the correct proportion for the specific motor. (In open loop mode the magnetizing current is not actively controlled.)

### 8.5.2 Switching frequency

With a default switching frequency of 3 kHz the maximum output frequency should be limited to 250 Hz. Ideally a minimum ratio of 12:1 should be maintained between the switching frequency and the output frequency. This ensures the number of switchings per cycle is sufficient to ensure the output waveform quality is maintained at a minimum level. If this is not possible, quasi-square switching should be enabled (Pr 5.20 =1). The output waveform will be quasi square above base speed ensuring a symmetrical output waveform, which results in a better quality output than would otherwise result.

### 8.5.3 Maximum speed / frequency

In open loop mode the maximum frequency is 3,000 Hz.

In RFC mode the maximum output frequency is 400 Hz.

### 8.5.4 Quasi-Square wave (open-loop only)

The maximum output voltage level of the drive is normally limited to an equivalent of the drive input voltage minus voltage drops within the drive (the drive will also retain a few percent of the voltage in order to maintain current control). If the motor rated voltage is set at the same level as the supply voltage, some pulse deletion will occur as the drive output voltage approaches the rated voltage level. If Pr 5.20 (Quasi-square wave enable) is set to 1 the modulator will allow over modulation, so that as the output frequency increases beyond the rated frequency the voltage continues to increase above the rated voltage. The modulation depth will increase beyond unity; first producing trapezoidal and then quasi-square waveforms.

This can be used for example:

- To obtain high output frequencies with a low switching frequency which would not be possible with space vector modulation limited to unity modulation depth,
- or
- In order to maintain a higher output voltage with a low supply voltage.

The disadvantage is that the machine current will be distorted as the modulation depth increases above unity, and will contain a significant amount of low order odd harmonics of the fundamental output frequency. The additional low order harmonics cause increased losses and heating in the motor.

# 9 SMARTCARD operation

## 9.1 Introduction


This is a standard feature that enables simple configuration of parameters in a variety of ways. The SMARTCARD can be used for:

- Parameter copying between drives
- Saving whole drive parameter sets
- Saving 'differences from default' parameter sets
- Storing Onboard PLC programs
- Automatically saving all user parameter changes for maintenance purposes
- Loading complete motor map parameters
- Loading complete predefined macros

The SMARTCARD is located at the top of the module under the drive display (if installed) on the left-hand side. Ensure the SMARTCARD is inserted with the contacts facing the right-hand side of the drive.

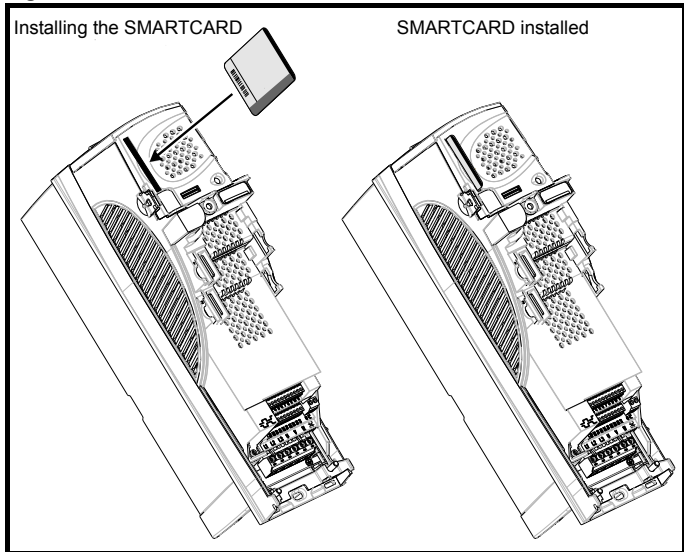
The drive only communicates with the SMARTCARD when commanded to read or write, meaning the card may be "hot swapped".

The SMARTCARD supplied with the drive contains predefined application macros. See the *Affinity Macro Guide* for further information.



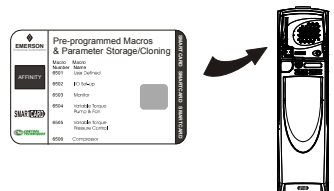

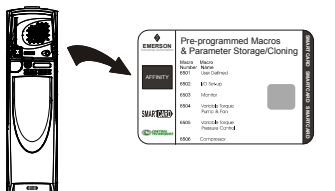

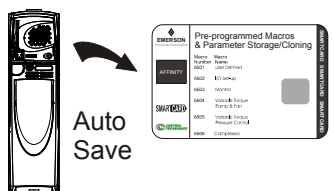

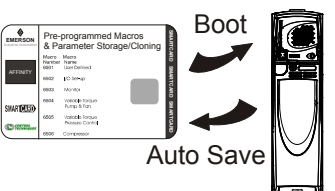

**WARNING** Be aware of live terminals when inserting or removing the SMARTCARD.

**Figure 9-1 Installation of the SMARTCARD**



### Easy saving and reading

**Figure 9-2 Basic SMARTCARD operation**

<p>Drive reads all parameters from the SMARTCARD</p>  <p style="text-align: center;"><b>Pr 0.30 = rEAd +</b> </p>	<p>Programs all drive parameters to the SMARTCARD</p>  <p style="text-align: center;"><b>Pr 0.30 = Prog +</b> </p> <p><b>NOTE</b> Overwrites any data already in data block 1</p>
<p>Drive automatically writes to the SMARTCARD when a parameter save is performed</p>  <p style="text-align: center;"><b>Pr 0.30 = Auto +</b> </p>	<p>Drive boots from the SMARTCARD on power up and automatically writes to the SMARTCARD when a parameter save is performed</p>  <p style="text-align: center;"><b>Pr 0.30 = boot +</b> </p>

The SMARTCARD has 999 individual data block locations. Each individual location from 1 to 499 can be used to store data until the capacity of the SMARTCARD is used. The drive can support SMARTCARDS with a capacity of between 4kB and 512kB.

The data block locations of the SMARTCARD are arranged to have the following usage:

**Table 9-1 SMARTCARD data blocks**

Data Block	Type	Example Use
1 to 499	Read / Write	Application set ups
500 to 999	Read Only	Macros

'Differences from default' parameter sets will be much smaller than whole parameter sets and thus take up a lot less memory as most applications only require a few parameters to be changed from the default setting.

The whole card may be protected from writing or erasing by setting the read-only flag as detailed section 9.2.9 9888 / 9777 - *Setting and clearing the SMARTCARD read only flag* on page 128.

Data transfer to or from the SMARTCARD is indicated by one the following:

- Keypad: The symbol 'CC' will appear in the lower left hand corner of the display

The card should not be removed during data transfer, as the drive will produce a trip. If this occurs then either the transfer should be reattempted or in the case of a card to drive transfer, default parameters should be loaded.

## 9.2 Transferring data

Data transfer, erasing and protecting the information is performed by entering a code in Pr **xx.00** and then resetting the drive as shown in Table 9-2.

**Table 9-2 SMARTCARD codes**

Code	Action
2001	Transfer drive parameters as difference from defaults to a bootable SMARTCARD block in data block number 001
3yyy	Transfer drive parameters to a SMARTCARD block number yyy
4yyy	Transfer drive data as difference from defaults to SMARTCARD block number yyy
5yyy	Transfer drive Onboard PLC program to SMARTCARD block number yyy
6yyy	Transfer SMARTCARD data block yyy to the drive
7yyy	Erase SMARTCARD data block yyy
8yyy	Compare drive parameters with block yyy
9555	Clear SMARTCARD warning suppression flag (V01.07.00 and later)
9666	Set SMARTCARD warning suppression flag (V01.07.00 and later)
9777	Clear SMARTCARD read-only flag
9888	Set SMARTCARD read-only flag
9999	Erase SMARTCARD

Where yyy indicates the block number 001 to 999. See Table 9-1 for restrictions on block numbers.

### NOTE

If the read only flag is set then only codes 6yyy or 9777 are effective.

### 9.2.1 Writing to the SMARTCARD

#### 3yyy - Transfer data to the SMARTCARD

The data block contains the complete parameter data from the drive, i.e. all user save (US) parameters except parameters with the NC coding bit set. Power-down save (PS) parameters are not transferred to the SMARTCARD.

#### 4yyy - Write default differences to a SMARTCARD

The data block only contains the parameter differences from the last time default settings were loaded.

Six bytes are required for each parameter difference. The data density is not as high as when using the 3yyy transfer method as described in the previous section, but in most cases the number of differences from default is small and the data blocks are therefore smaller. This method can be used for creating drive macros. Power-down save (PS) parameters are not transferred to the SMARTCARD.

The data block format is different depending on the software version.

The data block holds the following parameters:

All user save (US) parameters including those that do not have a default value, but not including those with the NC (Not copied) coding bit set can be transferred to the SMARTCARD. In addition to these parameters all menu 20 parameters (except Pr **20.00**), can be transferred to the SMARTCARD even though they are not user save parameters and have the NC coding bit set.

It is possible to transfer parameters between drives with each of the different formats, however, the data block compare function does not work with data produced by different formats.

#### Writing a parameter set to the SMARTCARD (Pr 11.42 = Prog (2))

Setting Pr **11.42** to Prog (2) and resetting the drive will save the parameters to the SMARTCARD, i.e. this is equivalent to writing 3001 to Pr **xx.00**. All SMARTCARD trips apply except 'C.Chg'. If the data block already exists it is automatically overwritten. When the action is complete this parameter is automatically reset to nonE (0).

### 9.2.2 Reading from the SMARTCARD

#### 6yyy - Read default differences from a SMARTCARD

When the data is transferred back to a drive, using 6yyy in Pr **xx.00**, it is transferred to the drive RAM and the drive EEPROM. A parameter save is not required to retain the data after power-down. Set up data for any Solutions Modules installed are stored on the card and are transferred to the destination drive. If the Solutions Modules are different between the source and destination drive, the menus for the slots where the Solutions Module categories are different are not updated from the card and will contain their default values after the copying action. The drive will produce a 'C.Optn' trip if the Solutions Modules installed to the source and destination drive are different or are in different slots. If the data is being transferred to a drive of a different voltage or current rating a 'C.rtg' trip will occur.

The following drive rating dependant parameters (RA coding bit set) will not be transferred to the destination drive by a SMARTCARD when the rating of the destination drive is different from the source drive and the file is a parameter file (i.e. created using the 3yyy transfer method). However, drive rating dependent parameters will be transferred if only the current rating is different and the file is a differences from default type file (i.e. created using the 4yyy transfer method). If drive rating dependant parameters are not transferred to the destination drive they will contain their default values.

Pr **2.08** *Standard ramp voltage*

Pr **4.05** to Pr **4.07** and Pr **21.27** to Pr **21.29** *Current limits*

Pr **4.24**, *User current maximum scaling*

Pr **5.07**, Pr **21.07** *Motor rated current*

Pr **5.09**, Pr **21.09** *Motor rated voltage*

Pr **5.10**, Pr **21.10** *Rated power factor*

Pr **5.17**, Pr **21.12** *Stator resistance*

Pr **5.18** *Switching frequency*

Pr **5.23**, Pr **21.13** *Voltage offset*

Pr **5.24**, Pr **21.14** *Transient inductance*

Pr **5.25**, Pr **21.24** *Stator inductance*

Pr **6.06** *DC injection braking current*

Pr **6.48** *Line power supply loss ride through detection level*

## Reading a parameter set from the SMARTCARD (Pr 11.42 = rEAd (1))

Setting Pr 11.42 to rEAd (1) and resetting the drive will transfer the parameters from the card into the drive parameter set and the drive EEPROM, i.e. this is equivalent to writing 6001 to Pr xx.00. All SMARTCARD trips apply. Once the parameters are successfully copied this parameter is automatically reset to nonE (0). Parameters are saved to the drive EEPROM after this action is complete.

### NOTE

This operation is only performed if data block 1 on the card is a full parameter set (3yyy transfer) and not a default difference file (4yyy transfer). If block 1 does not exist a 'C.dAt' trip occurs.

## 9.2.3 Auto saving parameter changes (Pr 11.42 = Auto (3))

This setting causes the drive to automatically save any changes made to menu 0 parameters on the drive to the SMARTCARD. The latest menu 0 parameter set in the drive is therefore always backed up on the SMARTCARD. Changing Pr 11.42 to Auto (3) and resetting the drive will immediately save the complete parameter set from the drive to the card, i.e. all user save (US) parameters except parameters with the NC coding bit set. Once the whole parameter set is stored only the individual modified menu 0 parameter setting is updated.

Advanced parameter changes are only saved to the card when Pr xx.00 is set to a 1000 and the drive reset.

All SMARTCARD trips apply, except 'C.Chg'. If the data block already contains information it is automatically overwritten.

If the card is removed when Pr 11.42 is set to 3 Pr 11.42 is then automatically set to nonE (0).

When a new SMARTCARD is installed Pr 11.42 must be set back to Auto (3) by the user and the drive reset so the complete parameter set is rewritten to the new SMARTCARD if auto mode is still required.

When Pr 11.42 is set to Auto (3) and the parameters in the drive are saved, the SMARTCARD is also updated, therefore the SMARTCARD becomes a copy of the drives stored configuration.

At power up, if Pr 11.42 is set to Auto (3), the drive will save the complete parameter set to the SMARTCARD. The drive will display 'cArD' during this operation. This is done to ensure that if a user puts a new SMARTCARD in during power down the new SMARTCARD will have the correct data.

### NOTE

When Pr 11.42 is set to Auto (3) the setting of Pr 11.42 itself is saved to the drive EEPROM but NOT to the SMARTCARD.

## 9.2.4 Booting up from the SMARTCARD on every power up (Pr 11.42 = boot (4))

When Pr 11.42 is set to boot (4) the drive operates the same as Auto mode except when the drive is powered-up. The parameters on the SMARTCARD will be automatically transferred to the drive at power up if the following are true:

- A card is inserted in the drive
- Parameter data block 1 exists on the card
- The data in block 1 is type 1 to 5 (as defined in Pr 11.38)
- Pr 11.42 on the card set to boot (4)

The drive will display 'boot' during this operation. If the drive mode is different from that on the card, the drive gives a 'C.Typ'. trip and the data is not transferred.

If 'boot' mode is stored on the copying SMARTCARD this makes the copying SMARTCARD the master device. This provides a very fast and efficient way of re-programming a number of drives.

If data block 1 contains a bootable parameter set and data block 2 contains an Onboard PLC program (type 17 as defined in Pr 11.38), then the onboard PLC program will be transferred to the drive at power up along with the parameter set in data block 1.

### NOTE

'Boot' mode is saved to the card, but when the card is read, the value of Pr 11.42 is not transferred to the drive.

## 9.2.5 Booting up from the SMARTCARD on every power up (Pr xx.00 = 2001)

It is possible to create a difference from default bootable file by setting Pr xx.00 to 2001 and resetting the drive. This type of file causes the drive to behave in the same way at power-up as a file created with boot mode set up with Pr 11.42. The difference from the default file is that it has the added advantage of including menu 20 parameters.

Setting Pr xx.00 to 2001 will overwrite data block 1 on the card if it already exists.

If a data block 2 exists and contains an Onboard PLC program (type 17 as defined in Pr 11.38), this will also be loaded after the parameters have been transferred

A bootable difference from default file can only be created in one operation and parameters cannot be added as they are saved via menu 0.

## 9.2.6 8yyy - Comparing the drive full parameter set with the SMARTCARD values

Setting 8yyy in Pr xx.00, will compare the SMARTCARD file with the data in the drive. If the compare is successful Pr xx.00 is simply set to 0. If the compare fails a 'C.cpr' trip is initiated.

## 9.2.7 7yyy / 9999 - Erasing data from the SMARTCARD

Data can be erased from the SMARTCARD either one block at a time or all blocks in one go.

- Setting 7yyy in Pr xx.00 will erase SMARTCARD data block yyy.
- Setting 9999 in Pr xx.00 will erase all SMARTCARD data blocks

## 9.2.8 9666 / 9555 - Setting and clearing the SMARTCARD warning suppression flag

If the Solutions Modules installed to the source and destination drive are different or are in different slots the drive will produce a 'C.Optn' trip. If the data is being transferred to a drive of a different voltage or current rating a 'C.rtg' trip will occur. It is possible to suppress these trips by setting the warning suppression flag. If this flag is set the drive will not trip if the Solutions Module(s) or drive ratings are different between the source and destination drives. The Solutions Module or rating dependent parameters will not be transferred.

- Setting 9666 in Pr xx.00 will set the warning suppression flag
- Setting 9555 in Pr xx.00 will clear the warning suppression flag

## 9.2.9 9888 / 9777 - Setting and clearing the SMARTCARD read only flag

The SMART CARD may be protected from writing or erasing by setting the read only flag. If an attempt is made to write or erase a data block when the read only flag is set, a 'C.rdo' trip is initiated. When the read only flag is set only codes 6yyy or 9777 are effective.

- Setting 9888 in Pr xx.00 will set the read only flag
- Setting 9777 in Pr xx.00 will clear the read only flag.

## 9.3 Data block header information

Each data block stored on a SMARTCARD has header information detailing the following:

- A number which identifies the block (Pr 11.37)
- The type of data stored in the block (Pr 11.38)
- The drive mode if the data is parameter data (Pr 11.38)
- The version number (Pr 11.39)
- The checksum (Pr 11.40)
- The read-only flag
- The warning suppression flag

The header information for each data block which has been used can be viewed in Pr 11.38 to Pr 11.40 by increasing or decreasing the data block number set in Pr 11.37.

If Pr 11.37 is set to 1000 the checksum parameter (Pr 11.40) shows the number of 16 byte pages left on the card.

If Pr 11.37 is set to 1001 the checksum parameter (Pr 11.40) shows the total capacity of the card in 16 byte pages. Therefore, for a 4kB card this parameter would show 254.



If Pr 11.37 is set to 1002 the checksum parameter (Pr 11.40) shows the state of the read-only (bit 0) and warning suppression flags (bit 1).

If Pr 11.37 is set to 1003, the checksum parameter (Pr 11.40) shows the product identifier (255 = Unidrive SP, 1 = Commander GP20, 2 = Digitax ST, 3 = Affinity).

If there is no data on the card Pr 11.37 can only have values of 0 or 1000 to 1003.

## 9.4 SMARTCARD parameters

**Table 9-3 Key to parameter table coding**

RW	Read / Write	RO	Read only	Uni	Unipolar
Bi	Bi-polar	Bit	Bit parameter	Txt	Text string
FI	Filtered	DE	Destination	NC	Not copied
RA	Rating dependent	PT	Protected	US	User save
PS	Power down save				

### 11.36 {0.29} SMARTCARD parameter data previously loaded

RO	Uni				NC	PT	US
⇕	0 to 999			⇒	0		

This parameter shows the number of the data block last transferred from a SMARTCARD to the drive.

### 11.37 SMARTCARD data number

RW	Uni				NC		
⇕	0 to 1003			⇒	0		

This parameter should have the data block number entered for which the user would like information displayed in Pr 11.38, Pr 11.39 and Pr 11.40.

### 11.38 SMARTCARD data type/mode

RO	Txt				NC	PT	
⇕	0 to 18			⇒			

Gives the type/mode of the data block selected with Pr 11.37:

Pr 11.38	String	Type/mode	Data stored
0	FrEE	Value when Pr 11.37 = 0, 1000 to 1003	Data from EEPROM
1		Reserved	
2	3OpEn.LP	Open-loop mode parameters	
3	3 rfc	RFC mode parameters	
4		Reserved	
5		Reserved	
6 to 8	3Un	Unused	
9		Reserved	
10	4OpEn.LP	Open-loop mode parameters	
11	4 rfc	RFC mode parameters	
12		Reserved	
13		Reserved	
14 to 16	4Un	Unused	
17	LAddEr	Onboard PLC program	
18	Option	A Solutions Module file	

### 11.39 SMARTCARD data version

RW	Uni				NC		
⇕	0 to 9,999			⇒	0		

Gives the version number of the data block selected in Pr 11.37.

### 11.40 SMARTCARD data checksum

RO	Uni				NC	PT	
⇕	0 to 65,335			⇒			

Gives the checksum of the data block selected in Pr 11.37.

### 11.42 {0.30} Parameter copying

RW	Txt					NC		US*
⇕	0 to 4			⇒	nonE (0)			

#### NOTE

If Pr 11.42 is equal to 1 or 2, this value is not transferred to the drive or saved to the EEPROM. If Pr 11.42 is set to a 3 or 4 the value is transferred.

nonE (0) = Inactive

rEAd (1) = Read parameter set from the SMARTCARD

Prog (2) = Programming a parameter set to the SMARTCARD




Auto (3) = Auto save

boot (4) = Boot mode



## 9.5 SMARTCARD trips

After an attempt to read, write or erase data to or from a SMARTCARD a trip may occur if there has been a problem with the command. The following trips indicate various problems as detailed in Table 9-4.

**Table 9-4 Trip conditions**

Trip	Diagnosis
<b>C.Acc</b>	<b>SMARTCARD trip: SMARTCARD Read / Write fail</b>
185	Check SMARTCARD is installed / located correctly Ensure SMARTCARD is not writing data to data location 500 to 999 Replace SMARTCARD
<b>C.boot</b>	<b>SMARTCARD trip: The menu 0 parameter modification cannot be saved to the SMARTCARD because the necessary file has not been created on the SMARTCARD</b>
177	A write to a menu 0 parameter has been initiated via the keypad with Pr <b>11.42</b> set to auto(3) or boot(4), but the necessary file on the SMARTCARD has not been created Ensure that Pr <b>11.42</b> is correctly set and reset the drive to create the necessary file on the SMARTCARD Re-attempt the parameter write to the menu 0 parameter
<b>C.bUSY</b>	<b>SMARTCARD trip: SMARTCARD can not perform the required function as it is being accessed by a Solutions Module</b>
178	Wait for the Solutions Module to finish accessing the SMARTCARD and then re-attempt the required function
<b>C.Chg</b>	<b>SMARTCARD trip: Data location already contains data</b>
179	Erase data in data location Write data to an alternative data location
<b>C.Cpr</b>	<b>SMARTCARD trip: The values stored in the drive and the values in the data block on the SMARTCARD are different</b>
188	Press the red  reset button
<b>C.dat</b>	<b>SMARTCARD trip: Data location specified does not contain any data</b>
183	Ensure data block number is correct
<b>C.Err</b>	<b>SMARTCARD trip: SMARTCARD data is corrupted</b>
182	Ensure the card is located correctly Erase data and retry Replace SMARTCARD
<b>C.Full</b>	<b>SMARTCARD trip: SMARTCARD full</b>
184	Delete a data block or use a different SMARTCARD
<b>C.Optn</b>	<b>SMARTCARD trip: Solutions Modules installed are different between source drive and destination drive</b>
180	Ensure correct Solutions Modules are installed Ensure Solutions Modules are in the same Solutions Module slot Press the red  reset button
<b>C.Prod</b>	<b>SMARTCARD trip: The data blocks on the SMARTCARD are not compatible with this product</b>
175	Erase all data on the SMARTCARD by setting Pr <b>xx.00</b> to 9999 and pressing the red  reset button Replace SMARTCARD
<b>C.rdo</b>	<b>SMARTCARD trip: SMARTCARD has the Read only bit set</b>
181	Enter 9777 in Pr <b>xx.00</b> to allow SMARTCARD Read / Write access Ensure the drive is not writing to data locations 500 to 999 on the card

**Table 9-4 Trip conditions**

Trip	Diagnosis																												
<b>C.rtg</b>	<b>SMARTCARD trip: The voltage and/or current rating of the source and destination drives are different</b>																												
186	<p>Drive rating dependent parameters (parameters with the RA coding) are likely to have different values and ranges with drives of different voltage and current ratings. Parameters with this attribute will not be transferred to the destination drive by SMARTCARDS when the rating of the destination drive is different from the source drive and the file is a parameter file. However, drive rating dependent parameters will be transferred if only the current rating is different and the file is a differences from default type file.</p> <p>Press the red  reset button</p> <p>Drive rating parameters are:</p> <table border="1"> <thead> <tr> <th>Parameter</th> <th>Function</th> </tr> </thead> <tbody> <tr> <td>2.08</td> <td>Standard ramp voltage</td> </tr> <tr> <td>4.05/6/7, 21.27/8/9</td> <td>Current limits</td> </tr> <tr> <td>4.24</td> <td>User current maximum scaling</td> </tr> <tr> <td>5.07, 21.07</td> <td>Motor rated current</td> </tr> <tr> <td>5.09, 21.09</td> <td>Motor rated voltage</td> </tr> <tr> <td>5.10, 21.10</td> <td>Rated power factor</td> </tr> <tr> <td>5.17, 21.12</td> <td>Stator resistance</td> </tr> <tr> <td>5.18</td> <td>Switching frequency</td> </tr> <tr> <td>5.23, 21.13</td> <td>Voltage offset</td> </tr> <tr> <td>5.24, 21.14</td> <td>Transient inductance</td> </tr> <tr> <td>5.25, 21.24</td> <td>Stator inductance</td> </tr> <tr> <td>6.06</td> <td>DC injection braking current</td> </tr> <tr> <td>6.48</td> <td>Line power supply loss ride through detection level</td> </tr> </tbody> </table> <p>The above parameters will be set to their default values.</p>	Parameter	Function	2.08	Standard ramp voltage	4.05/6/7, 21.27/8/9	Current limits	4.24	User current maximum scaling	5.07, 21.07	Motor rated current	5.09, 21.09	Motor rated voltage	5.10, 21.10	Rated power factor	5.17, 21.12	Stator resistance	5.18	Switching frequency	5.23, 21.13	Voltage offset	5.24, 21.14	Transient inductance	5.25, 21.24	Stator inductance	6.06	DC injection braking current	6.48	Line power supply loss ride through detection level
Parameter	Function																												
2.08	Standard ramp voltage																												
4.05/6/7, 21.27/8/9	Current limits																												
4.24	User current maximum scaling																												
5.07, 21.07	Motor rated current																												
5.09, 21.09	Motor rated voltage																												
5.10, 21.10	Rated power factor																												
5.17, 21.12	Stator resistance																												
5.18	Switching frequency																												
5.23, 21.13	Voltage offset																												
5.24, 21.14	Transient inductance																												
5.25, 21.24	Stator inductance																												
6.06	DC injection braking current																												
6.48	Line power supply loss ride through detection level																												
<b>C.Typ</b>	<b>SMARTCARD trip: SMARTCARD parameter set not compatible with drive</b>																												
187	<p>Press the red  reset button</p> <p>Ensure destination drive type is the same as the source parameter file drive type</p>																												

**Table 9-5 SMARTCARD status indications**

Lower display	Description	Lower display	Description
<b>boot</b>	A parameter set is being transferred from the SMARTCARD to the drive during power-up. For further information, please refer to section 9.2.4 <i>Booting up from the SMARTCARD on every power up (Pr 11.42 = boot (4))</i> .	<b>cArd</b>	The drive is writing a parameter set to the SMARTCARD during power-up. For further information, please refer to section 9.2.3 <i>Auto saving parameter changes (Pr 11.42 = Auto (3))</i> .

## 10 PC tools

### 10.1 CTSOft

CTSOft is a Windows™ based software commissioning/start-up tool for Affinity and other Control Techniques products.

CTSOft can be used for commissioning/start-up and monitoring, drive parameters can be uploaded, downloaded and compared, and simple or custom menu listings can be created. Drive menus can be displayed in standard list format or as live block diagrams. CTSOft is able to communicate with a single drive or a network.

CTSOft can be found on the CD which is supplied with the drive and is also available for download from [www.controltechniques.com](http://www.controltechniques.com) (file size approximately 25MB).

CTSOft system requirements:

- Windows 2000/XP. **Windows 95/98/98SE/ME/NT4 and Windows 2003 server are NOT supported**
- Internet Explorer V5.0 or later must be installed
- Minimum of 800x600 screen resolution with 256 colors. 1024x768 is recommended.
- 128MB RAM
- Pentium III 500MHz or better recommended.
- Adobe Acrobat Reader 5.1 or later (for parameter help). See CD provided
- Microsoft.Net Framework 2.0
- Note that you must have administrator rights under Windows 2000/XP to install.

Included with CTSOft are the user guides for the supported drive models. When help on a particular parameter is request by the user, CTSOft links to the parameter in the relevant advanced user guide.

#### 10.1.1 Installing CTSOft

To install CTSOft from the CD, insert the CD and the auto-run facility should start up the front-end screen from which CTSOft can be selected. Otherwise run the SETUP.EXE in the CTSOft folder. Any previous copy of CTSOft should be uninstalled before proceeding with the installation (existing projects will not be lost).

#### 10.1.2 Uninstalling CTSOft

To uninstall CTSOft, go to the Control Panel, select "Add and Remove Programs". Scroll down the list until "CTSOft" is found then click on "Change/Remove". Uninstalling will not lose any user project or data files.

#### 10.1.3 Communications Overview

CTSOft operates in 2 basic communication modes:

In ONLINE mode CTSOft polls the selected drive to update all displayed parameter values. Any changes made to a parameter value will be displayed within CTSOft.

In OFFLINE mode CTSOft does not require any connection to a drive. Each parameter can be displayed and edited, and these alterations will only affect CTSOft's internal parameter set.

#### 10.1.4 Getting started with CTSOft

Please refer to the Readme file available within the installation directory for the latest information.

During the startup of CTSOft a number of initialisation files are accessed. These files enable CTSOft to store and retrieve system, user specific and parameter data.

On initialisation, the startup dialog is displayed allowing you to create a new project, open a previously saved project, or to work with a drive which automatically creates a project and allows quick access to communicating with a single drive.

Before drive commissioning/start-up can proceed, it is necessary to set up the Communications port to enable communication between the host PC and drive. Select the "Drive" menu, and Properties, to open the Drive Properties dialog.

Included in CTSOft are the Advanced User Guides for the supported drive models. When help on a particular parameter is requested by the user, CTSOft links to the parameter in the relevant advanced user guide. Double-click the mouse on the required parameter and select parameter help from the displayed box

The following is a brief introduction to the functions available. Reference should be made to the CTSOft and drive Help files for more detailed information.

- The drive set-up wizard guides the novice user in entering motor and application data. Help is provided for each step in the set-up wizard and, after the data is downloaded to the drive, a quick motor test can be performed.
- CTSOft will automatically update the screen with any read values.
- The Navigation Panel allows the user to move between the screens in CTSOft.
- The Terminal Configuration screens display graphically the choice of terminal set-up. They enable the quick and effective setting of parameters to achieve the terminal configuration desired, with no knowledge of the parameters being set-up. The Analog References screen also provides the ability to set-up the mode of operation of the analog inputs. The graphical wiring diagram required for basic control dynamically altering with respect to the user choice.
- The monitoring screens show the status motor parameters displayed on panel meters. Drive faults are displayed and the faults log shows the last ten trips with description and time.
- The parameter listings are used to display the entire contents of a menu. This allows access to parameters that are not available to the user within the graphical screens or block diagrams. Complete parameter upload and download functions are provided with the ability to save these to disk. Complete compare facilities enable the comparison of CTSOft's memory with a user saved parameter file or database defaults, highlighting any differences.
- The Custom list enables parameters to be added to a custom list made up of all available drive parameters. This enables the viewing of unrelated parameters on the same screen. Custom files may be saved by the user for use at a later date.
- Many of the menus have associated block diagrams that graphically indicate how all of the related parameters interact. To change a parameter value simply right-click on a parameter and select "Edit Parameter".

### 10.2 Onboard PLC and SYPTLite

The drive has the ability to store and execute a 4KB Onboard PLC ladder logic program without the need for additional hardware.

The ladder logic program is written using SYPTLite, a Windows™ based ladder diagram editor allowing the development of programs for execution in Affinity.

SYPTLite is designed to be easy to use and to make program development as simple as possible. The features provided are a sub-set of those in the SYPT program editor. SYPTLite programs are developed using ladder logic, a graphical language widely used to program PLCs (IEC61131-3). SYPTLite allows the user to "draw" a ladder diagram representing a program.

SYPTLite provides a complete environment for the development of ladder diagrams. Ladder diagrams can be created, compiled into user programs and downloaded to a Affinity for execution, via the RJ45 serial communications port on the front of the drive. The run-time operation of the compiled ladder diagram on the target can also be monitored using SYPTLite and facilities are provided to interact with the program on the target by setting new values for target parameters.

SYPTLite is available on the CD which is supplied with the drive.

### 10.2.1 Benefits

The combination of the Onboard PLC and SYPTLite, means that the drive can replace nano and some micro PLCs in many applications. The Onboard PLC programs can consist of up to a maximum of 50 ladder logic rungs (up to 7 function blocks and 10 contacts per rung). The Onboard PLC program can also be transferred to and from a SMARTCARD for backup or quick commissioning/start-up.

In addition to the basic ladder symbols, SYPTLite contains a sub-set of the function from the full version of SYPT. These include,

- Arithmetic blocks
- Comparison blocks
- Timers
- Counters
- Multiplexers
- Latches
- Bit manipulation

Typical applications for the Onboard PLC include,

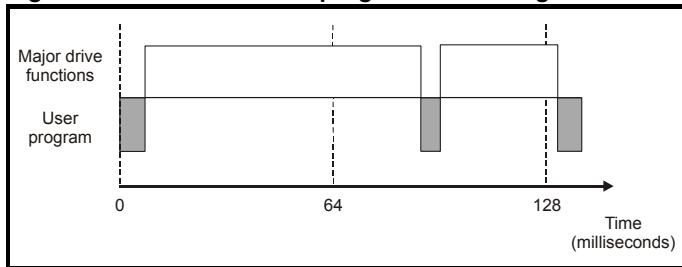
- Ancillary pumps
- Fans and control valves
- Interlocking logic
- Sequences routines
- Custom control words.

### 10.2.2 Limitations

The Onboard PLC program has the following limitations:

- The maximum program size is 4032 bytes including header and optional source code.
- The drive is rated for 100 program downloads. This limitation is imposed by the flash memory used to store the program within the drive.
- The user cannot create user variables. The user is only able to manipulate the drive parameter set.
- There are no real-time tasks, i.e. the scheduling rate of the program cannot be guaranteed. Applications Modules tasks such as Clock, Event, Pos0 or Speed are not available. The Onboard PLC should not be used for time-critical applications. For time-critical applications Unidrive SP and an SM-Applications Plus, SM-Applications or SM-Applications Lite should be used.
- The program runs at a low priority. The drive provides a single background task in which to run a ladder diagram. The drive is prioritised to perform its major functions first, e.g. motor control, and will use any remaining processing time to execute the ladder diagram as a background activity. As the drive's processor becomes more heavily loaded, less time is spent executing the program.

Figure 10-1 Onboard PLC program scheduling



The user program is scheduled for a short period approximately once every 64ms. The time for which the program is scheduled will vary between 0.2ms and 2ms depending on the loading of the drive's processor.

When scheduled, several scans of the user program may be performed. Some scans may execute in microseconds. However, when the main drive functions are scheduled there will be a pause in the execution of the program causing some scans to take many milliseconds. SYPTLite displays the average execution time calculated over the last 10 scans of the user program.

### 10.2.3 Getting started

SYPTLite can be found on the CD which is supplied with the drive.

#### SYPTLite system requirements

- Windows 2000/XP. **Windows 95/98/98SE/Me/NT4 are not supported**
- Pentium III 500MHz or better recommended
- 128MB RAM
- Minimum of 800x600 screen resolution. 1024x768 is recommended
- Adobe Acrobat 5.10 or later (for viewing User Guides)
- Microsoft Internet Explorer V5.0 or later
- RS232 to RS485, RJ45 communications lead to connect the PC to the drive
- Administrator rights under Windows 2000/XP are required to install the software

To install SYPTLite, insert the CD and the auto-run facility should start up the front-end screen, from which SYPTLite can be selected.

See the SYPTLite help file for more information regarding using SYPTLite, creating ladder diagrams and the available function blocks.

### 10.2.4 Onboard PLC parameters

The following parameters are associated with the Onboard PLC program.

11.47		Drive Onboard PLC program enable										
RW	Uni										US	
↕		0 to 2					§	2				

This parameter is used to start and stop the drive Onboard PLC program.

Value	Description
0	Halt the drive Onboard PLC program.
1	Run the drive Onboard PLC program (if installed). Any out-of-range parameter writes attempted will be clipped to the maximum / minimum values valid for that parameter before being written.
2	Run the drive Onboard PLC program (if installed). Any out-of-range parameter writes attempted will cause a 'UP ovr' trip.

11.48		Drive Onboard PLC program status											
RO	Bi										NC	PT	
↕		-128 to +127					§						

The drive Onboard PLC program status parameter indicates to the user the actual state of the drive Onboard PLC program.

Value	Description
-n	Onboard PLC program caused a drive trip due to an error condition while running rung n. Note that the rung number is shown on the display as a negative number.
0	Onboard PLC program is not installed.
1	Onboard PLC program is installed but stopped.
2	Onboard PLC program is installed and running.

When an Onboard PLC program is installed and running, the lower display of the drive flashes 'PLC' once every 10s.

11.49		Drive Onboard PLC programming events											
RO	Uni										NC	PT	PS
↕		0 to 65,535					§						

The drive Onboard PLC programming events parameter holds the number of times an Onboard PLC program download has taken place and is 0 on dispatch from the factory. The drive is rated for one hundred ladder program downloads. This parameter is not altered when defaults are loaded.

<b>11.50</b>		<b>Drive Onboard PLC program average scan time</b>															
RO	Uni													NC	PT		
↕		0 to 65,535 ms										§					

This parameter is updated once per second or once per Onboard PLC program scan whichever is the longest. If more than one program scan occurs within the one second update period the parameter shows the average scan time. If the program scan time is longer than one second the parameter shows the time for the last program scan.

<b>11.51</b>		<b>Drive Onboard PLC program first run</b>															
RO	Bit													NC	PT		
↕		OFF (0) or On (1)										§					

The Drive Onboard PLC program first run parameter is set for the duration of program scan from the stopped state. This enables the user to perform any required initialisation every time the program is run. This parameter is set every time the program is stopped.

### 10.2.5 Onboard PLC trips

The following trips are associated with the Onboard PLC program.

Trip	Diagnosis
<b>UP ACC</b>	<b>Onboard PLC program: Cannot access Onboard PLC program file on drive</b>
<b>98</b>	Disable drive - write access is not allowed when the drive is enabled. Another source is already accessing Onboard PLC program - retry once the other action is complete.
<b>UP div0</b>	<b>Onboard PLC program attempted divide by zero</b>
<b>90</b>	Check program
<b>UP OFL</b>	<b>Onboard PLC program variables and function block calls using more than the allowed RAM space (stack overflow)</b>
<b>95</b>	Check program
<b>UP ovr</b>	<b>Onboard PLC program attempted out of range parameter write</b>
<b>94</b>	Check program
<b>UP PAr</b>	<b>Onboard PLC program attempted access to a non-existent parameter</b>
<b>91</b>	Check program
<b>UP ro</b>	<b>Onboard PLC program attempted write to a read-only parameter</b>
<b>92</b>	Check program
<b>UP So</b>	<b>Onboard PLC program attempted read of a write-only parameter</b>
<b>93</b>	Check program
<b>UP udF</b>	<b>Onboard PLC program undefined trip</b>
<b>97</b>	Check program
<b>UP uSEr</b>	<b>Onboard PLC program requested a trip</b>
<b>96</b>	Check program

### 10.2.6 Onboard PLC and the SMARTCARD

The Onboard PLC program in a drive may be transferred from the drive to a SMARTCARD and vice versa.

- To transfer an Onboard PLC program from the drive to a SMARTCARD, set Pr **xx.00** to 5yyy and reset the drive
- To transfer an Onboard PLC program from the SMARTCARD to a drive, set Pr **xx.00** to 6yyy and reset the drive.

(Where yyy is the data block location, see Table 9-1 SMARTCARD data blocks on page 127 for restrictions on block numbers).

If an attempt is made to transfer an Onboard PLC program from a drive to the SMARTCARD when the drive contains no program, the block is still created on the SMARTCARD but it will contain no data. If this data block is then transferred to a drive, the destination drive will then have no Onboard PLC program.

The smallest SMARTCARD compatible with Affinity has a capacity of 4064 bytes and each block can be up to 4064 bytes in size. The maximum size of a user program is 4032 bytes so it is guaranteed that any Onboard PLC program downloaded to a Affinity will fit on to an empty SMARTCARD. A SMARTCARD can contain a number of Onboard PLC programs until the capacity of the card is used.

## 10.3 CT Energy Savings Estimator

CT Energy Savings Estimator is a Windows™ based tool for estimating electrical energy consumption and savings for fan and pump applications. It provides a comparison of energy usage for various control methods such as Variable Frequency Drive, outlet dampers, inlet vanes and valves.

The results, displayed in graphical and text format, are provided for energy usage, savings and payback. This data can be incorporated in customer reports which can be viewed, printed, e-mailed as a PDF file or exported to a file in PDF, RTF, HTML, GIF, BMP, JPG, TIF format.

CT Energy Savings Estimator can be found on the CD supplied with the drive.

### System Requirements

- Personal Computer or Notebook (Pentium or faster) running Windows 2000, XP, 2003 Server
- Memory: 256 MB RAM for Windows 2000/XP
- Monitor: VGA or higher with a minimum resolution of 800x600 (256 colors)
- Hard Disk: 15MB Available Disk Space
- Windows-compatible ink jet or laser printer for printing of reports (optional)
- Application Programming Interface (MAPI) to e-mail report (optional)

### 10.3.1 Installation

To install CT Energy Savings Estimator, insert the CD and run setup.exe

### 10.3.2 Functions

The following is a summary of the functions available. Further information is available in the help facility provided.

**Program set up:** allows changes to the following parameters

- Preferences: set up customer report information (name, address, contact, logo) enable use of pre-printed letterhead, enable welcome start-up message,
- Efficiency set up: efficiency data for VFD, damper, inlet vane and valves
- Custom efficiency: efficiency data for custom applications
- Report Layout: company address and logo

**Data entry:** allows entry of the following data

- Customer information - customer name, address, telephone e-mail.
- System data:
  - Operation timescales
  - Motor power/efficiency
  - Unit energy cost
  - Company incentive cost
  - Inverter costs
  - Duty cycle percentages

**Results:** data representation


- Energy Estimation - Display energy cost, savings and pay back data
- Energy Graphs - Graphical representation of flow vs Cost, hours and time
- Report - Review/print/export report, e-mail report as PDF file

**Formulas:** provides the following tools

- Horse power calculations for fan/blowers, pumps, rotating objects and objects in linear motion
- Torque calculations
- AC motor calculations for Synchronous speed and percentage slip
- Ohms law calculations
- Power AC calculations for current, efficiency, power factor, horse power, kW and Volt-Amperes

# 11 Advanced parameters

This is a quick reference to all parameters in the drive showing units, ranges limits etc, with block diagrams to illustrate their function. Full descriptions of the parameters can be found in the *Advanced User Guide* on the supplied CD ROM.

 <b>WARNING</b>	<p>These advanced parameters are listed for reference purposes only. The lists in this chapter do not include sufficient information for adjusting these parameters. Incorrect adjustment can affect the safety of the system, and damage the drive and or external equipment. Before attempting to adjust any of these parameters, refer to the <i>Advanced User Guide</i>.</p>
--	--

**Table 11-1 Menu descriptions**

Menu number	Description
0	Commonly used basic set up parameters for quick / easy programming
1	Frequency / speed reference
2	Ramps
3	Frequency slaving, speed feedback and speed control
4	Torque and current control
5	Motor control
6	Sequencer and clock
7	Analog I/O
8	Digital I/O
9	Programmable logic, motorized pot and binary sum
10	Status and trips
11	General drive set-up
12	Threshold detectors and variable selectors
14	User PID controller
15, 16	Solutions Module slots
17	Building automation network
18	Application menu 1
19	Application menu 2
20	Application menu 3
21	Second motor parameters
22	Additional Menu 0 set-up

**Operation mode abbreviations:**

- OL> Open loop
- RFC> RFC

**Default abbreviations:**

- EUR> European default value (50Hz AC supply frequency)
- USA> USA default value (60Hz AC supply frequency)

**NOTE**

Parameter numbers shown in brackets {...} are the equivalent Menu 0 parameters. Some Menu 0 parameters appear twice since their function depends on the operating mode.

In some cases, the function or range of a parameter is affected by the setting of another parameter; the information in the lists relates to the default condition of such parameters.

**Table 11-2 Key to parameter table coding**

Coding	Attribute
RW	Read/write: can be written by the user
RO	Read only: can only be read by the user
Bit	1 bit parameter. 'On' or 'OFF' on the display
Bi	Bipolar parameter
Uni	Unipolar parameter
Txt	Text: the parameter uses text strings instead of numbers.
FI	Filtered: some parameters which can have rapidly changing values are filtered when displayed on the drive keypad for easy viewing.
DE	Destination: This parameter selects the destination of an input or logic function.
RA	Rating dependent: this parameter is likely to have different values and ranges with drives of different voltage and current ratings. Parameters with this attribute will not be transferred to the destination drive by SMARTCARDS when the rating of the destination drive is different from the source drive and the file is a parameter file. However, the value will be transferred if only the current rating is different and the file is a differences from default type file.
NC	Not copied: not transferred to or from SMARTCARDS during copying.
PT	Protected: cannot be used as a destination.
US	User save: parameter saved in drive EEPROM when the user initiates a parameter save.
PS	Power-down save: parameter automatically saved in drive EEPROM when the under volts (UV) trip occurs or when the user initiates a parameter save.



**Table 11-3 Feature look-up table**

Feature	Related parameters (Pr)												
Acceleration rates	2.10	2.11 to 2.19	2.32	2.33	2.34	2.02							
Analog speed reference 1	1.36	7.10	7.01	7.07	7.08	7.09	7.25	7.26	7.30				
Analog speed reference 2	1.37	7.14	1.41	7.02	7.11	7.12	7.13	7.28	7.31				
Analog I/O	Menu 7												
Analog input 1	7.01	7.07	7.08	7.09	7.10	7.25	7.26	7.30					
Analog input 2	7.02	7.11	7.12	7.13	7.14	7.28	7.31						
Analog input 3	7.03	7.15	7.16	7.17	7.18	7.29	7.32						
Analog output 1	7.19	7.20	7.21	7.33									
Analog output 2	7.22	7.23	7.24										
Application menu	Menu 18			Menu 19		Menu 20							
At speed indicator bit	3.06	3.07	3.09	10.06	10.05	10.07							
Auto reset	10.34	10.35	10.36	10.01									
Autotune	5.12	5.17	5.23	5.24	5.25	5.10	5.29	5.30					
Binary sum	9.29	9.30	9.31	9.32	9.33	9.34							
Bipolar speed	1.10												
Brake control	12.40 to 12.48												
Braking	10.11	10.10	10.30	10.31	6.01	2.04	2.02	10.12	10.39	10.40			
Building automation network	Menu 17												
Catch a spinning motor	6.09	5.40											
Coast to stop	6.01												
Comms	11.23 to 11.26												
Copying	11.42	11.36 to 11.40											
Cost - per kWh electricity	6.24	6.25	6.26	6.27	6.28								
Current controller	4.13	4.14											
Current feedback	4.01	4.02	4.17	4.04	4.12	4.20	4.23	4.24	4.26	10.08	10.09	10.17	
Current limits	4.05	4.06	4.07	4.18	4.15	4.19	4.16	5.07	5.10	10.08	10.09	10.17	
DC bus voltage	5.05	2.08											
DC injection braking	6.06	6.07	6.01										
Deceleration rates	2.20	2.21 to 2.29		2.04	2.35 to 2.37		2.02	2.09	2.08	6.01	10.30	10.31	10.39
Defaults	11.43	11.46											
Digital I/O	Menu 8												
Digital I/O read word	8.20												
Digital I/O T24	8.01	8.11	8.21	8.31									
Digital I/O T25	8.02	8.12	8.22	8.32									
Digital I/O T26	8.03	8.13	8.23	8.33									
Digital input T27	8.04	8.14	8.24										
Digital input T28	8.05	8.15	8.25	8.39									
Digital input T29	8.06	8.16	8.26	8.39									
Digital output T22	8.08	8.18	8.28										
Direction	10.13	6.30	6.31	1.03	10.14	2.01	3.02	8.03	8.04	10.40			
Display timeout	11.41												
Drive active	10.02	10.40											
Drive derivative	11.28												
Drive OK	10.01	8.27	8.07	8.17	10.36	10.40							
Dynamic performance	5.26												
Dynamic V/F	5.13												
Enable	6.15	8.09	8.10										
External trip	10.32	8.10	8.07										
Fan speed	6.45												
Fast disable	6.29												
Filter change	6.21	6.22											
Fire mode	1.53	1.54											
Frequency reference selection	1.14	1.15											
Hard speed reference	3.22	3.23											
Heavy duty rating	5.07	11.32											
High stability space vector modulation	5.19												
I/O sequencer	6.04	6.30	6.31	6.32	6.33	6.34	6.42	6.43	6.41				
Inertia compensation	2.38	5.12	4.22	3.18									
Jog reference	1.05	2.19	2.29										
Keypad operating mode	1.52												
Keypad reference	1.17	1.14	1.43	1.51	6.12	6.13							
Kt	5.32												
Limit switches	6.35	6.36											
Line power supply loss	6.03	10.15	10.16	5.05									
Logic function 1	9.01	9.04	9.05	9.06	9.07	9.08	9.09	9.10					
Logic function 2	9.02	9.14	9.15	9.16	9.17	9.18	9.19	9.20					

Feature	Related parameters (Pr)												
Low load detection	4.20	4.27	4.28	4.20	10.6								
Low voltage supply	6.44	6.46											
Maximum speed	1.06												
Menu 0 set up	11.01 to 11.22		Menu 22										
Minimum speed	1.07	10.04											
Modules - number of	11.35												
Motor map	5.06	5.07	5.08	5.09	5.10	5.11							
Motor map 2	Menu 21		11.45										
Motor pre-heat	6.08	6.52											
Motorized potentiometer	9.21	9.22	9.23	9.24	9.25	9.26	9.27	9.28					
Offset speed reference	1.04	1.38	1.09										
Onboard PLC	11.47 to 11.51												
Open collector digital outputs	8.30												
Open loop vector mode	5.14	5.17	5.23										
Operating mode	0.48	11.31											
Output	5.01	5.02	5.03	5.04									
Overspeed threshold	3.08												
PID controller	Menu 14												
Positive logic	8.29												
Power up parameter	11.22	11.21											
Precision reference	1.18	1.19	1.20	1.44									
Preset speeds	1.15	1.21 to 1.28		1.16	1.14	1.42	1.45 to 1.48		1.50				
Programmable logic	Menu 9												
Quasi square operation	5.20												
Ramp (accel / decel) mode	2.04	2.08	6.01	2.02	2.03	10.30	10.31	10.39					
Real time clock	6.16	6.17	6.18	6.19	6.20								
Regenerating	10.10	10.11	10.30	10.31	6.01	2.04	2.02	10.12	10.39	10.40			
Relay output	8.07	8.17	8.27										
Reset	10.33	8.02	8.22	10.34	10.35	10.36	10.01						
RFC mode	3.24	3.42	4.12	5.40									
S ramp	2.06	2.07											
Sample rates	5.18												
Security code	11.30	11.44											
Serial comms	11.23 to 11.26												
Skip speeds	1.29	1.30	1.31	1.32	1.33	1.34	1.35						
Sleep mode	6.53	6.54											
Slip compensation	5.27	5.08											
SMARTCARD	11.36 to 11.40		11.42										
Software version	11.29	11.34											
Speed controller	3.10 to 3.17		3.19	3.20	3.21								
Speed feedback	3.02	3.03	3.04										
Speed reference selection	1.14	1.15	1.49	1.50	1.01								
Status word	10.40												
Supply	6.44	5.05	6.46										
Switching frequency	5.18	5.35	7.34	7.35									
Thermal protection - drive	5.18	5.35	7.04	7.05	7.06	7.32	7.35	10.18					
Thermal protection - motor	4.15	5.07	4.19	4.16	4.25	7.15							
Thermistor input	7.15	7.03											
Threshold detector 1	12.01	12.03 to 12.07											
Threshold detector 2	12.02	12.23 to 12.27											
Time - filter change	6.21	6.22											
Time - powered up log	6.16	6.17	6.19	6.20									
Time - run log	6.16	6.17	6.19	6.20									
Timer functions	9.35 to 9.53												
Torque	4.03	4.26	5.32										
Torque mode	4.08	4.11	4.09	4.10									
Trip detection	10.37	10.38	10.20 to 10.29										
Trip log	10.20 to 10.29		10.41 to 10.60		6.28	6.49							
Under voltage	5.05	10.16	10.15										
V/F mode	5.15	5.14											
Variable selector 1	12.08 to 12.15												
Variable selector 2	12.28 to 12.35												
Voltage controller	5.31												
Voltage mode	5.14	5.17	5.23	5.15									
Voltage rating	11.33	5.09	5.05										
Voltage supply	6.44	6.46	5.05										
Warning	10.19	10.12	10.17	10.18	10.40								
Zero speed indicator bit	3.05	10.03											

## Parameter ranges and variable maximums:

The two values provided define the minimum and maximum values for the given parameter. In some cases the parameter range is variable and dependant on either:

- other parameters
- the drive rating
- drive mode
- or a combination of these

The values given in Table 11-4 are the variable maximums used in the drive.

**Table 11-4 Definition of parameter ranges & variable maximums**

Maximum	Definition
SPEED_FREQ_MAX [Open-loop 3000.0Hz, RFC 40000.0rpm]	<b>Maximum speed (RFC mode) reference or frequency (open-loop mode) reference</b> If Pr 1.08 = 0: SPEED_FREQ_MAX = Pr 1.06 If Pr 1.08 = 1: SPEED_FREQ_MAX is Pr 1.06 or – Pr 1.07 whichever is the largest (If the second motor map is selected Pr 21.01 is used instead of Pr 1.06 and Pr 21.02 instead of Pr 1.07)
SPEED_LIMIT_MAX [40000.0rpm]	<b>Maximum applied to speed reference limits</b> In RFC mode SPEED_LIMIT_MAX = 40,000rpm.
SPEED_MAX [40000.0rpm]	<b>Maximum speed</b> This maximum is used for some speed related parameters in menu 3. To allow headroom for overshoot etc. the maximum speed is twice the maximum speed reference. SPEED_MAX = 2 x SPEED_FREQ_MAX
RATED_CURRENT_MAX [9999.99A]	<b>Maximum motor rated current</b> RATED_CURRENT_MAX = 1.36 x K <sub>C</sub> . The motor rated current can be increased above K <sub>C</sub> up to a level not exceeding 1.36 x K <sub>C</sub> . (Maximum motor rated current is the maximum normal duty current rating.) The actual level varies from one drive size to another, refer to Table 11-5.
DRIVE_CURRENT_MAX [9999.99A]	<b>Maximum drive current</b> The maximum drive current is the current at the over current trip level and is given by: DRIVE_CURRENT_MAX = K <sub>C</sub> / 0.45
AC_VOLTAGE_SET_MAX [690V]	<b>Maximum output voltage set-point</b> Defines the maximum motor voltage that can be selected. 200V drives: 240V, 400V drives: 480V 575V drives: 575V, 690V drives: 690V
AC_VOLTAGE_MAX [930V]	<b>Maximum AC output voltage</b> This maximum has been chosen to allow for maximum AC voltage that can be produced by the drive including quasi-square wave operation as follows: AC_VOLTAGE_MAX = 0.78 x DC_VOLTAGE_MAX 200V drives: 325V, 400V drives: 650V, 575V drives: 780V, 690V drives: 930V
DC_VOLTAGE_SET_MAX [1150V]	<b>Maximum DC voltage set-point</b> 200V rating drive: 0 to 400V, 400V rating drive: 0 to 800V 575V rating drive: 0 to 955V, 690V rating drive: 0 to 1150V
DC_VOLTAGE_MAX [1190V]	<b>Maximum DC bus voltage</b> The maximum measurable DC bus voltage. 200V drives: 415V, 400V drives: 830V, 575V drives: 990V, 690V drives: 1190V

Maximum	Definition
MOTOR1_CURRENT_LIMIT_MAX [1000.0%]	<p><b>Maximum current limit settings for motor map 1</b> This maximum current limit setting is the maximum applied to the current limit parameters in motor map 1.</p> <p><b>Open Loop</b></p> $\text{Maximum current limit} = \frac{\sqrt{\left[\left[\frac{\text{Maximum current}}{\text{Motor rated current}}\right]^2 + \text{PF}^2 - 1\right]}}{\text{PF}} \times 100\%$ <p>Where: The Maximum current is either 1.1 x drive rating if the motor rated current set in Pr <b>5.07</b> is more than the Drive current scaling given by Pr <b>11.32</b>, otherwise it is 1.5 x K<sub>C</sub>. Motor rated current is given by Pr <b>5.07</b> PF is motor rated power factor given by Pr <b>5.10</b></p> <p><b>RFC</b></p> $\text{Maximum current limit} = \frac{\sqrt{\left[\left[\frac{\text{Maximum current}}{\text{Motor rated current}}\right]^2 + \cos(\varphi_1)^2 - 1\right]}}{\cos(\varphi_1)} \times 100\%$ <p>Where: The Maximum current is either 1.1 x drive rating if the motor rated current set in Pr <b>5.07</b> is more than the Drive current scaling given by Pr <b>11.32</b>, otherwise it is 1.75 x K<sub>C</sub>. Motor rated current is given by Pr <b>5.07</b> <math>\varphi_1 = \cos^{-1}(\text{PF}) - \varphi_2</math>. This is measured by the drive during an autotune. See Menu 4 in the <i>Advanced User Guide</i> for more information regarding <math>\varphi_2</math>. PF is motor rated power factor given by Pr <b>5.10</b></p>
MOTOR2_CURRENT_LIMIT_MAX [1000.0%]	<p><b>Maximum current limit settings for motor map 2</b> This maximum current limit setting is the maximum applied to the current limit parameters in motor map 2. The formulae for MOTOR2_CURRENT_LIMIT_MAX are the same for MOTOR1_CURRENT_LIMIT_MAX except that Pr <b>5.07</b> is replaced with Pr <b>21.07</b> and Pr <b>5.10</b> is replaced with Pr <b>21.10</b>.</p>
TORQUE_PROD_CURRENT_MAX [1000.0%]	<p><b>Maximum torque producing current</b> This is used as a maximum for torque and torque producing current parameters. It is MOTOR1_CURRENT_LIMIT_MAX or MOTOR2_CURRENT_LIMIT_MAX depending on which motor map is currently active.</p>
USER_CURRENT_MAX [1000.0%]	<p><b>Current parameter limit selected by the user</b> The user can select a maximum for Pr <b>4.08</b> (torque reference) and Pr <b>4.20</b> (percentage load) to give suitable scaling for analog I/O with Pr <b>4.24</b>. This maximum is subject to a limit of MOTOR1_CURRENT_LIMIT_MAX or MOTOR2_CURRENT_LIMIT_MAX depending on which motor map is currently active. USER_CURRENT_MAX = Pr <b>4.24</b></p>
POWER_MAX [9999.99kW]	<p><b>Maximum power in kW</b> The maximum power has been chosen to allow for the maximum power that can be output by the drive with maximum AC output voltage, maximum controlled current and unity power factor. Therefore: POWER_MAX = <math>\sqrt{3} \times \text{AC\_VOLTAGE\_MAX} \times \text{DRIVE\_CURRENT\_MAX} / 1000</math></p>

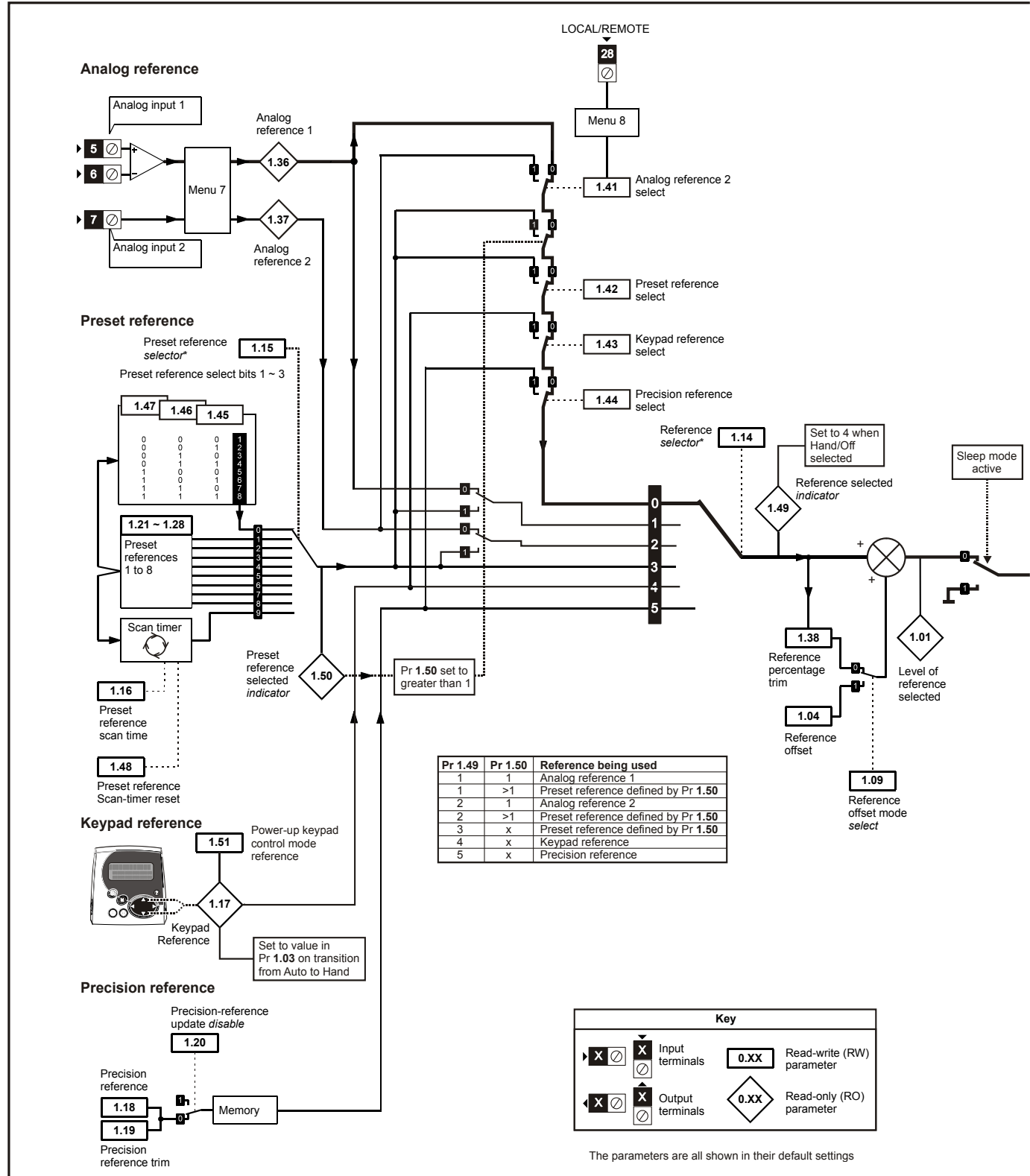
The values given in square brackets indicate the absolute maximum value allowed for the variable maximum.

**Table 11-5 Maximum motor rated current**

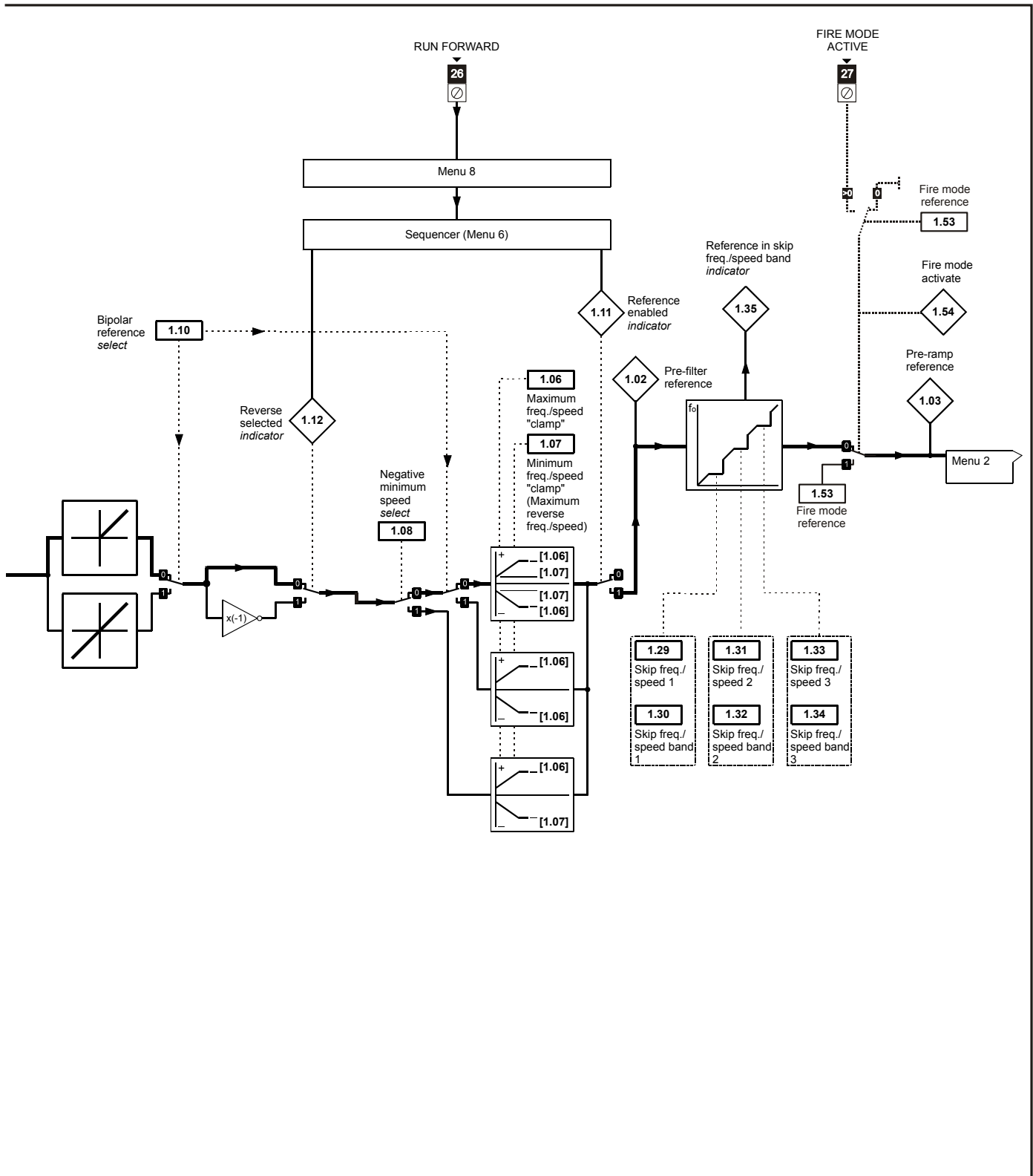
Model	K <sub>C</sub>	Maximum Normal Duty current rating A
BA1201	4.3	5.2
BA1202	5.8	6.8
BA1203	7.5	9.6
BA1204	10.6	11
BA2201	12.6	15.5
BA2202	17.0	22.0
BA2203	25.0	28.0
BA3201	31.0	42.0
BA3202	42.0	54.0
BA4201	56.0	68.0
BA4202	68.0	80.0
BA4203	80.0	104.0
BA5201	105.0	130.0
BA5202	130.0	154.0
BA1401	2.1	2.8
BA1402	3.0	3.8
BA1403	4.2	5.0
BA1404	5.8	6.9
BA1405	7.6	8.8
BA1406	9.5	11.0
BA2401	13.0	15.3
BA2402	16.5	21.0
BA2403	23.0	29.0
BA3401	32.0	35.0
BA3402	40.0	43.0
BA3403	46.0	56.0
BA4401	60.0	68.0
BA4402	74.0	83.0
BA4403	96.0	104.0
BA5401	124.0	138.0
BA5402	156.0	168.0
BA6401	154.2	202.0
BA6402	180.0	236.0
BA3501	4.1	5.4
BA3502	5.4	6.1
BA3503	6.1	8.4
BA3504	9.5	11.0
BA3505	12.0	16.0
BA3506	18.0	22.0
BA3507	22.0	27.0
BA4601	19.0	22.0
BA4602	22.0	27.0
BA4603	27.0	36.0
BA4604	36.0	43.0
BA4605	43.0	52.0
BA4606	52.0	62.0
BA5601	63.0	84.0
BA5602	85.0	99.0
BA6601	85.7	125.0
BA6602	107.1	144.0

# 11.1 Menu 1: Frequency / speed reference

Figure 11-1 Menu 1 logic diagram



\*For more information, refer to section 11.21.1 Reference modes on page 209



Parameter		Range(↕)		Default(↔)		Type						
		OL	RFC	OL	RFC	RO	Bi	NC	PT	US		
1.01	Frequency / speed reference selected	±SPEED_FREQ_MAX Hz/rpm				RO	Bi		NC	PT		
1.02	Pre-skip filter reference					RO	Bi		NC	PT		
1.03	Pre-ramp reference					RO	Bi		NC	PT		
1.04	Reference offset	±3,000.0Hz	±40,000.0 rpm	0.0		RW	Bi				US	
1.05	Jog reference	0 to 400.0 Hz	0 to 4,000.0 rpm	0.0		RW	Uni				US	
1.06	Maximum reference clamp {0.02}	0 to 3,000.0 Hz	SPEED_LIMIT_MAX rpm	EUR> 50.0 USA> 60.0	EUR> 1,500.0 USA> 1,800.0	RW	Uni				US	
1.07	Minimum reference clamp {0.01}	±3,000.0 Hz	±SPEED_LIMIT_MAX rpm	0.0		RW	Bi			PT	US	
1.08	Negative minimum reference clamp enable	OFF (0) or On (1)		OFF (0)		RW	Bit				US	
1.09	Reference offset select					RW	Bit			US		
1.10	Bipolar reference enable					RW	Bit			US		
1.11	Reference enabled indicator					RO	Bit		NC	PT		
1.12	Reverse selected indicator	RO	Bit		NC	PT						
1.13	Jog selected indicator	RO	Bit		NC	PT						
1.14	Reference selector {0.05}	A1.A2 (0), A1.Pr (1), A2.Pr (2), Pr (3), PAd (4), Prc (5)		A1.A2 (0)		RW	Txt				US	
1.15	Preset reference selector	0 to 9		0		RW	Uni				US	
1.16	Preset reference selector timer	0 to 400.0s		10.0		RW	Uni				US	
1.17	Keypad control mode reference	±SPEED_FREQ_MAX Hz/rpm		0.0		RO	Bi		NC	PT	PS	
1.18	Precision reference coarse	±SPEED_FREQ_MAX Hz/rpm		0.0		RW	Bi				US	
1.19	Precision reference fine	0.000 to 0.099 Hz	0.000 to 0.099 rpm	0.000		RW	Uni				US	
1.20	Precision reference update disable	OFF (0) or On (1)		OFF (0)		RW	Bit		NC			
1.21	Preset reference 1	±SPEED_FREQ_MAX Hz/rpm		0.0		RW	Bi				US	
1.22	Preset reference 2					RW	Bi			US		
1.23	Preset reference 3					RW	Bi			US		
1.24	Preset reference 4					RW	Bi			US		
1.25	Preset reference 5					RW	Bi			US		
1.26	Preset reference 6					RW	Bi			US		
1.27	Preset reference 7					RW	Bi			US		
1.28	Preset reference 8					RW	Bi			US		
1.29	Skip reference 1	0.0 to 3,000.0 Hz	0 to 40,000 rpm	0.0	0	RW	Uni				US	
1.30	Skip reference band 1	0.0 to 25.0 Hz	0 to 250 rpm	0.5	5	RW	Uni				US	
1.31	Skip reference 2	0.0 to 3,000.0 Hz	0 to 40,000 rpm	0.0	0	RW	Uni				US	
1.32	Skip reference band 2	0.0 to 25.0 Hz	0 to 250 rpm	0.5	5	RW	Uni				US	
1.33	Skip reference 3	0.0 to 3,000.0 Hz	0 to 40,000 rpm	0.0	0	RW	Uni				US	
1.34	Skip reference band 3	0.0 to 25.0Hz	0 to 250 rpm	0.5	5	RW	Uni				US	
1.35	Reference in rejection zone	OFF (0) or On (1)				RO	Bit		NC	PT		
1.36	Analog reference 1	±SPEED_FREQ_MAX Hz/rpm				RO	Bi		NC			
1.37	Analog reference 2					RO	Bi		NC			
1.38	Percentage trim	±100.00%		0.00		RW	Bi		NC			
1.41	Analog reference 2 select	OFF (0) or On (1)		OFF (0)		RW	Bit		NC			
1.42	Preset reference select					RW	Bit		NC			
1.43	Keypad reference select					RW	Bit		NC			
1.44	Precision reference select					RW	Bit		NC			
1.45	Preset reference 1 select					RW	Bit		NC			
1.46	Preset reference 2 select					RW	Bit		NC			
1.47	Preset reference 3 select					RW	Bit		NC			
1.48	Reference timer reset flag					RW	Bit		NC			
1.49	Reference selected indicator	1 to 5				RO	Uni		NC	PT		
1.50	Preset reference selected indicator	1 to 8				RO	Uni		NC	PT		
1.51	Power-up keyboard control mode reference	rESet (0), LAST (1), PrS1 (2)		rESet (0)		RW	Txt				US	
1.52	Enable hand/off/auto keypad operation mode	0 to 3		1		RW	Uni				US	
1.53	Fire mode reference	±SPEED_FREQ_MAX Hz/rpm		0.0		RW	Bi				US	
1.54	Fire mode activate	OFF (0) or On (1)		OFF (0)		RO	Bit		NC			

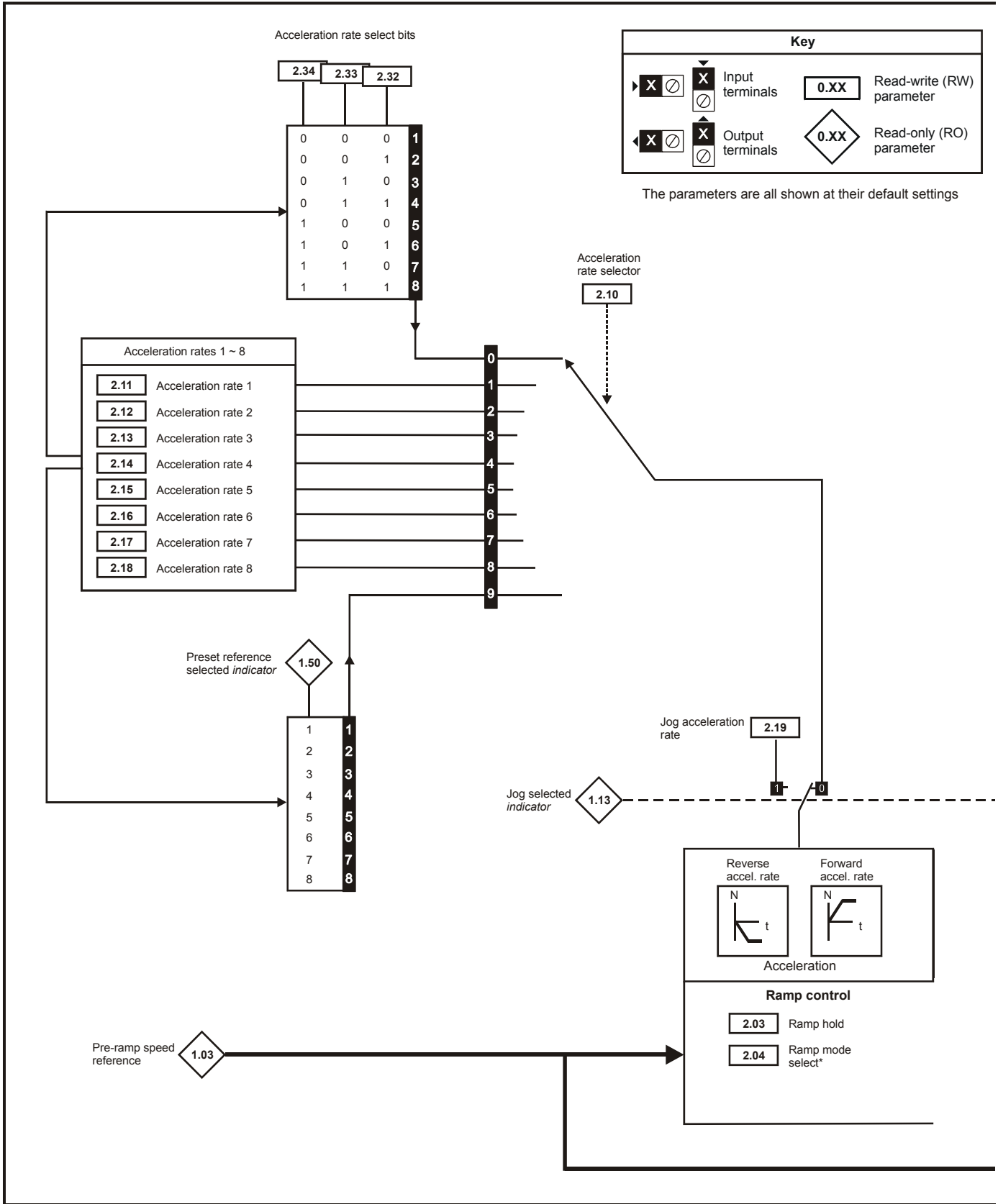
RW	Read / Write	RO	Read only	Uni	Unipolar	Bi	Bi-polar	Bit	Bit parameter	Txt	Text string		
FI	Filtered	DE	Destination	NC	Not copied	RA	Rating dependent	PT	Protected	US	User save	PS	Power down save





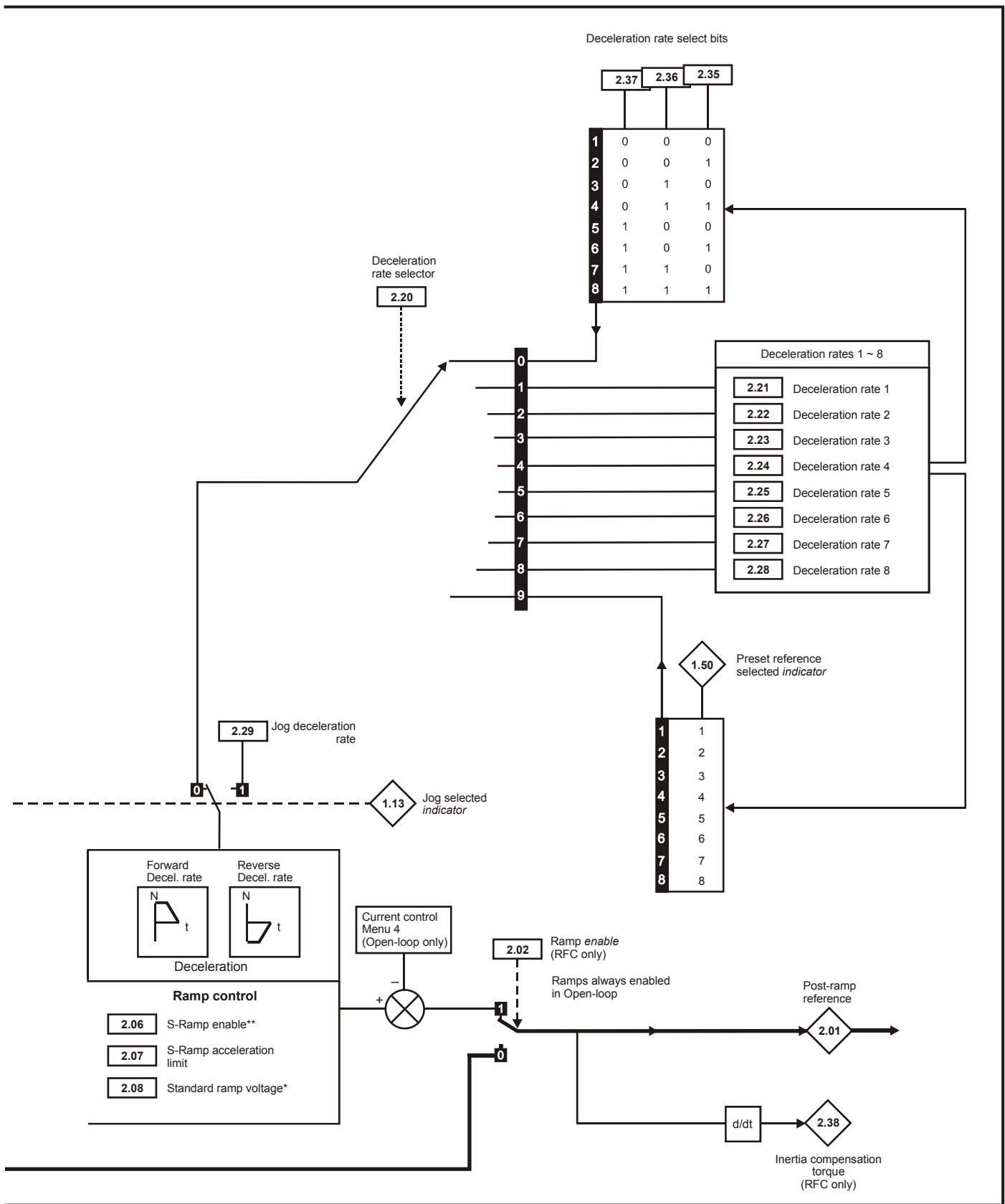
## 11.2 Menu 2: Ramps

Figure 11-2 Menu 2 logic diagram



\*For more information, refer to section 11.21.6 *Braking Modes* on page 214.

\*\*For more information, refer to section 11.21.7 *S ramps* on page 215.

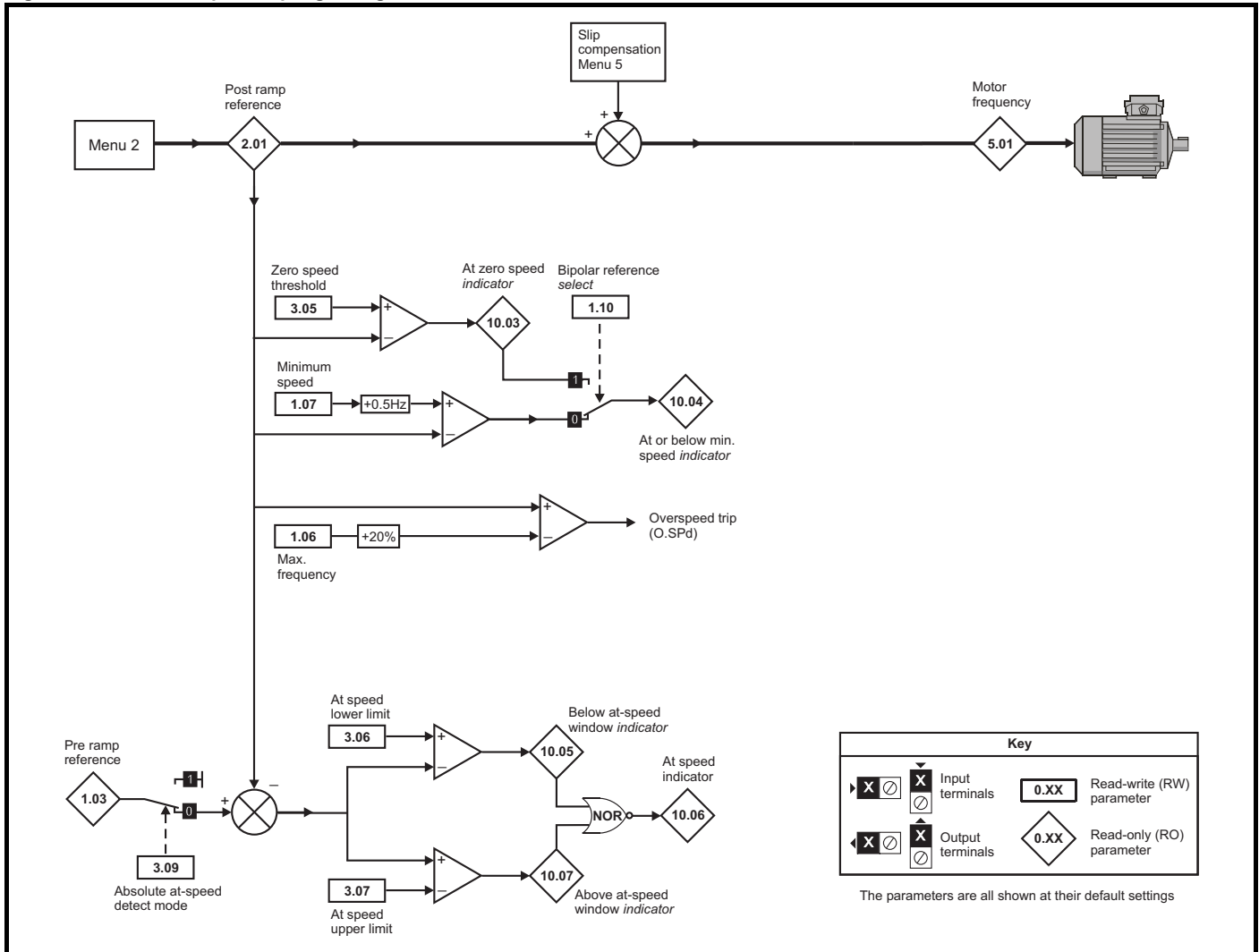


Parameter		Range(↕)		Default(↔)		Type												
		OL	RFC	OL	RFC	RO	Bi	NC	PT	US								
2.01	Post ramp reference	±SPEED_FREQ_MAX Hz/rpm				RO	Bi	NC	PT									
2.02	Ramp enable	OFF (0) or On (1)		On (1)		RW	Bit			US								
2.03	Ramp hold	OFF (0) or On (1)		OFF (0)		RW	Bit			US								
2.04	Ramp mode select {0.14}	FAST (0) Std (1) Std.hV (2)	FAST (0) Std (1)	Std (1)		RW	Txt			US								
2.06	S ramp enable	OFF (0) or On (1)		OFF (0)		RW	Bit			US								
2.07	S ramp acceleration limit	0.0 to 300.0 s <sup>2</sup> /100Hz	0.000 to 100.000 s <sup>2</sup> /1000rpm	3.1	1.500	RW	Uni			US								
2.08	Standard ramp voltage	0 to DC_VOLTAGE_SET_MAX V		200V drive: 375 400V drive: EUR> 750 USA> 775 575V drive: 895 690V drive: 1075		RW	Uni	RA		US								
2.09	Deceleration failure detection	OFF (0) or On (1)		OFF (0)		RW	Bit			US								
2.10	Acceleration rate selector	0 to 9		0		RW	Uni			US								
2.11	Acceleration rate 1 {0.03}	0.0 to 3,200.0 s/100Hz		0.000 to 3,200.000 s/1,000rpm		EUR> 40.0 USA> 33.3		EUR> 13.333 USA> 11.111		RW	Uni		US					
2.12	Acceleration rate 2									RW	Uni		US					
2.13	Acceleration rate 3									RW	Uni		US					
2.14	Acceleration rate 4									RW	Uni		US					
2.15	Acceleration rate 5									RW	Uni		US					
2.16	Acceleration rate 6									RW	Uni		US					
2.17	Acceleration rate 7									RW	Uni		US					
2.18	Acceleration rate 8									RW	Uni		US					
2.19	Jog acceleration rate									0.2		0.000		RW	Uni			US
2.20	Deceleration rate selector									0 to 9		0		RW	Uni			US
2.21	Deceleration rate 1 {0.04}	0.0 to 3,200.0 s/100Hz		0.000 to 3,200.000 s/1,000rpm		EUR> 40.0 USA> 33.3		EUR> 13.333 USA> 11.111		RW	Uni		US					
2.22	Deceleration rate 2									RW	Uni		US					
2.23	Deceleration rate 3									RW	Uni		US					
2.24	Deceleration rate 4									RW	Uni		US					
2.25	Deceleration rate 5									RW	Uni		US					
2.26	Deceleration rate 6									RW	Uni		US					
2.27	Deceleration rate 7									RW	Uni		US					
2.28	Deceleration rate 8									RW	Uni		US					
2.29	Jog deceleration rate									0.2		0.000		RW	Uni			US
2.32	Acceleration select bit 0									OFF (0) or On (1)		OFF (0)		RW	Bit	NC		
2.33	Acceleration select bit 1	RW	Bit	NC														
2.34	Acceleration select bit 2	RW	Bit	NC														
2.35	Deceleration select bit 0	RW	Bit	NC														
2.36	Deceleration select bit 1	RW	Bit	NC														
2.37	Deceleration select bit 2	RW	Bit	NC														
2.38	Inertia compensation torque	± 1,000.0 %				RO	Bi	NC	PT									

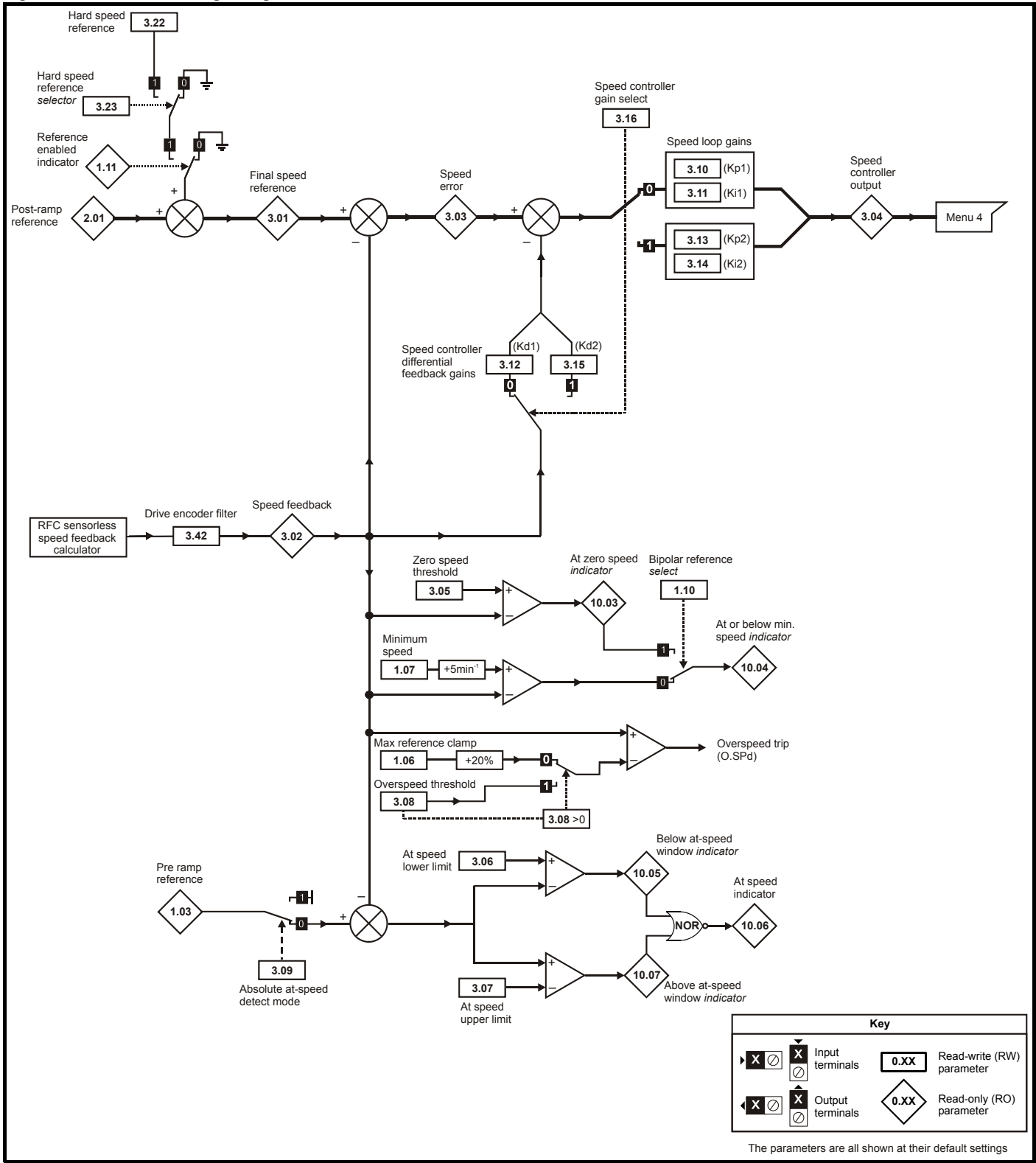
RW	Read / Write	RO	Read only	Uni	Unipolar	Bi	Bi-polar	Bit	Bit parameter	Txt	Text string		
FI	Filtered	DE	Destination	NC	Not copied	RA	Rating dependent	PT	Protected	US	User save	PS	Power down save

### 11.3 Menu 3: Speed feedback and speed control

Figure 11-3 Menu 3 Open-loop logic diagram



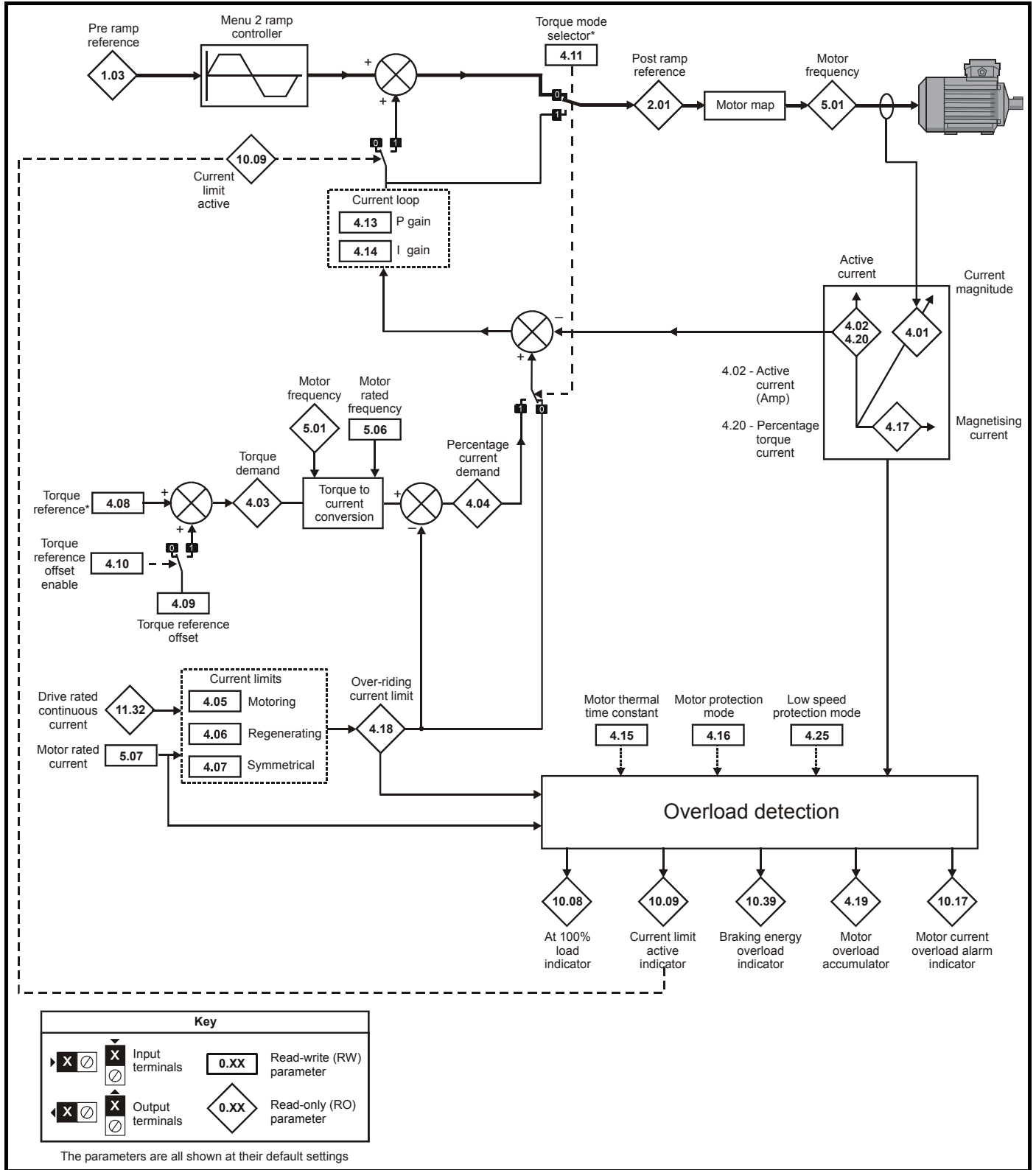
**Figure 11-4 Menu 3 RFC logic diagram**



Parameter	Range(⇅)		Default(⇄)		Type								
	OL	RFC	OL	RFC	RO	Bi	FI	NC	PT				
3.01	Final speed reference												
3.02	Speed feedback {0.10}		±SPEED_MAX rpm										
3.03	Speed error												
3.04	Speed controller output		±Torque_prod current_max %										
3.05	Zero speed threshold	0.0 to 20.0 Hz	0 to 200 rpm	1.0	5	RW	Uni						US
3.06	At speed lower limit	0.0 to 3,000.0 Hz	0 to 40,000 rpm	1.0	50	RW	Uni						US
3.07	At speed upper limit			1.0	50	RW	Uni						
3.08	Overspeed threshold				0	RW	Uni						US
3.09	Absolute 'at speed' detect	OFF (0) or On (1)		OFF (0)		RW	Bit						US
3.10	Speed controller proportional gain (Kp1) {0.07}		0.0000 to 6.5535 1/rad s <sup>-1</sup>		0.0300	RW	Uni						US
3.11	Speed controller integral gain (Ki1) {0.08}		0.00 to 655.35 s/rad s <sup>-1</sup>		0.10	RW	Uni						US
3.12	Speed controller differential feedback gain (Kd1) {0.09}		0.00000 to 0.65535 s <sup>-1</sup> /rad s <sup>-1</sup>		0.00000	RW	Uni						US
3.13	Speed controller proportional gain (Kp2)		0.0000 to 6.5535 1/rad s <sup>-1</sup>		0.0300	RW	Uni						US
3.14	Speed controller integral gain (Ki2)		0.00 to 655.35 1/rad		0.10	RW	Uni						US
3.15	Speed controller differential feedback gain (Kd2)		0.00000 to 0.65535 s		0.00000	RW	Uni						US
3.16	Speed controller gain select		OFF (0) or On (1)		OFF (0)	RW	Bit						US
3.17	Speed controller set-up method		0 to 3		0	RW	Uni						US
3.18	Motor and load inertia		0.00010 to 90.00000 kg m <sup>2</sup>		0.00000	RW	Uni						US
3.19	Compliance angle		0.0 to 359.9 °		4.0	RW	Uni						US
3.20	Bandwidth		0 to 255 Hz		10	RW	Uni						US
3.21	Damping factor		0.0 to 10.0		1.0	RW	Uni						US
3.22	Hard speed reference		±SPEED_FREQ_ MAX rpm		0.0	RW	Bi						US
3.23	Hard speed reference selector		OFF (0) or On (1)		OFF (0)	RW	Bit						US
3.24	RFC mode		3		3	RW	Uni						US
3.42	Drive encoder filter		0 (0), 1 (1), 2 (2), 4 (3), 8 (4), 16 (5) ms		0	RW	Txt						US

## 11.4 Menu 4: Torque and current control

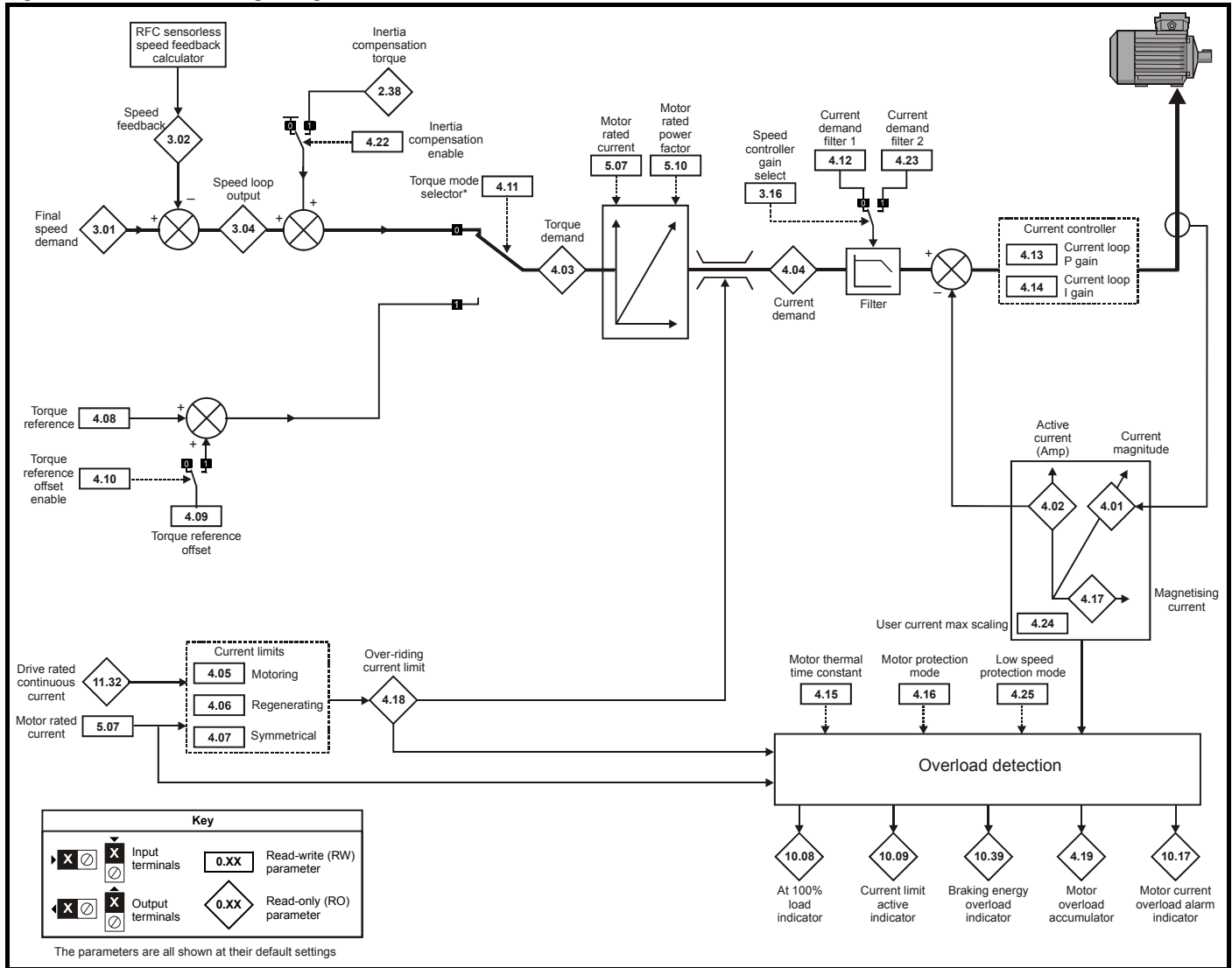
Figure 11-5 Menu 4 Open loop logic diagram



For more information, refer to section 11.21.8 Torque modes on page 215.



**Figure 11-6 Menu 4 RFC logic diagram**



\*For more information, refer to section 11.21.8 *Torque modes* on page 215.

Parameter	Range(⇅)		Default(⇄)		Type					
	OL	RFC	OL	RFC	RO	Uni	FI	NC	PT	
4.01 Total motor current {0.12}	0 to DRIVE_CURRENT_MAX A				RO	Uni	FI	NC	PT	
4.02 Active current	±DRIVE_CURRENT_MAX A				RO	Bi	FI	NC	PT	
4.03 Torque demand	±TORQUE_PROD_CURRENT_MAX %				RO	Bi	FI	NC	PT	
4.04 Current demand					RO	Bi	FI	NC	PT	
4.05 Motoring current limit	0 to MOTOR1_CURRENT_LIMIT_MAX %		110		RW	Uni		RA		US
4.06 Regen current limit					RW	Uni		RA		US
4.07 Symmetrical current limit {0.06}					RW	Uni		RA		US
4.08 Torque reference	±USER_CURRENT_MAX %		0.00		RW	Bi				US
4.09 Torque offset			0.0		RW	Bi				US
4.10 Torque offset select	OFF (0) or On (1)		OFF (0)		RW	Bit				US
4.11 Torque mode selector	0 to 1		0		RW	Uni				US
4.12 Current demand filter 1 {0.17}		0.0 to 25.0 ms		0.0	RW	Uni				US
4.13 Current controller Kp gain	0 to 30,000		20	200V drive: 75 400V drive: 150 575V drive: 180 690V drive: 215	RW	Uni				US
4.14 Current controller Ki gain			40	200V drive: 1000 400V drive: 2000 575V drive: 2400 690V drive: 3000	RW	Uni				US
4.15 Thermal time constant	0.0 to 3000.0		89.0		RW	Uni				US
4.16 Thermal protection mode	0 to 1		0		RW	Bit				US
4.17 Reactive current	±DRIVE_CURRENT_MAX A				RO	Bi	FI	NC	PT	
4.18 Overriding current limit	±TORQUE_PROD_CURRENT_MAX %				RO	Uni		NC	PT	
4.19 Overload accumulator	0 to 100.0 %				RO	Uni		NC	PT	
4.20 Percentage load {0.13}	±USER_CURRENT_MAX %				RO	Bi	FI	NC	PT	
4.22 Inertia compensation enable		OFF (0) or On (1)		OFF (0)	RW	Bit				US
4.23 Current demand filter 2		0.0 to 25.0 ms		0.0	RW	Uni				US
4.24 User current maximum scaling	0.0 to TORQUE_PROD_CURRENT_MAX %		110		RW	Uni		RA		US
4.25 Low speed thermal protection mode	OFF (0) or On (1)		On (1)		RW	Bit				US
4.26 Percentage torque	±USER_CURRENT_MAX %				RO	Bi	FI	NC	PT	
4.27 Low load detection level {0.26}	0.0 to 100.0 %		0.0		RW					US
4.28 Low level detection speed / frequency threshold {0.27}	0.0 to ±SPEED_FREQ_MAX Hz/rpm		0.0		RW					US
4.29 Trip in abnormal load detection {0.28}	OFF (0) or On (1)		OFF (0)		RW	Bit				US

RW	Read / Write	RO	Read only	Uni	Unipolar	Bi	Bi-polar	Bit	Bit parameter	Txt	Text string		
FI	Filtered	DE	Destination	NC	Not copied	RA	Rating dependent	PT	Protected	US	User save	PS	Power down save

## 11.5 Menu 5: Motor control

Figure 11-7 Menu 5 Open-loop logic diagram

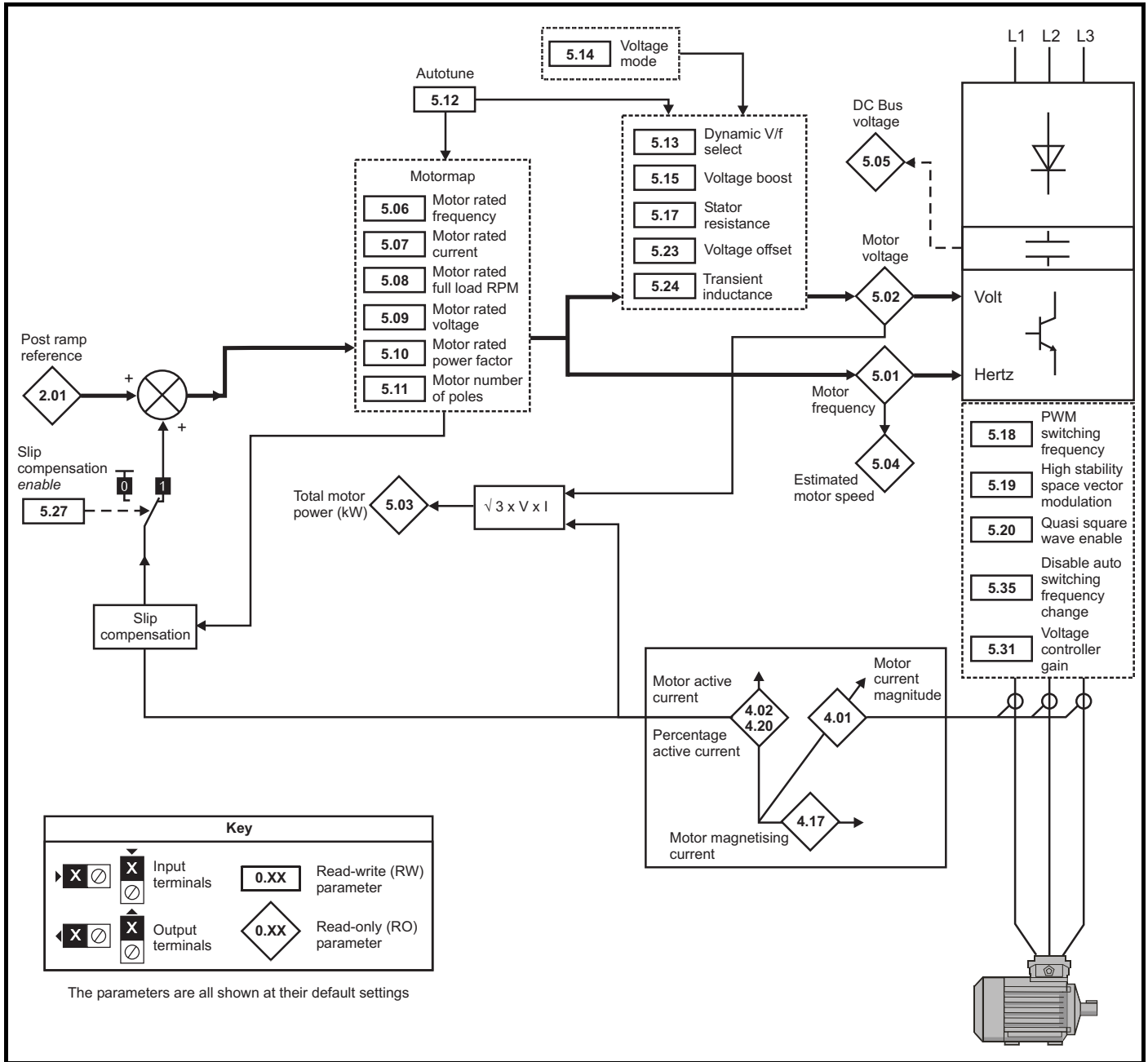
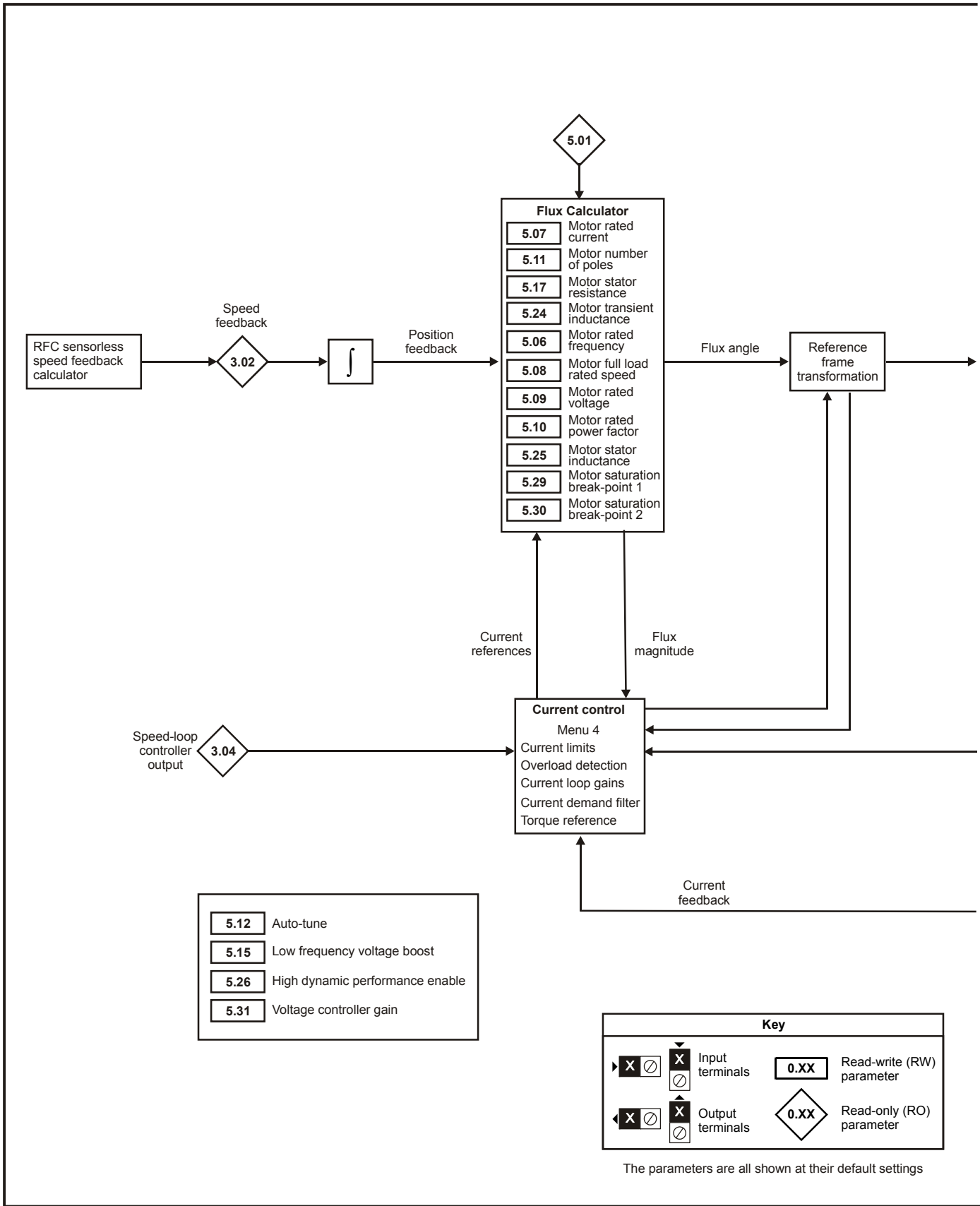
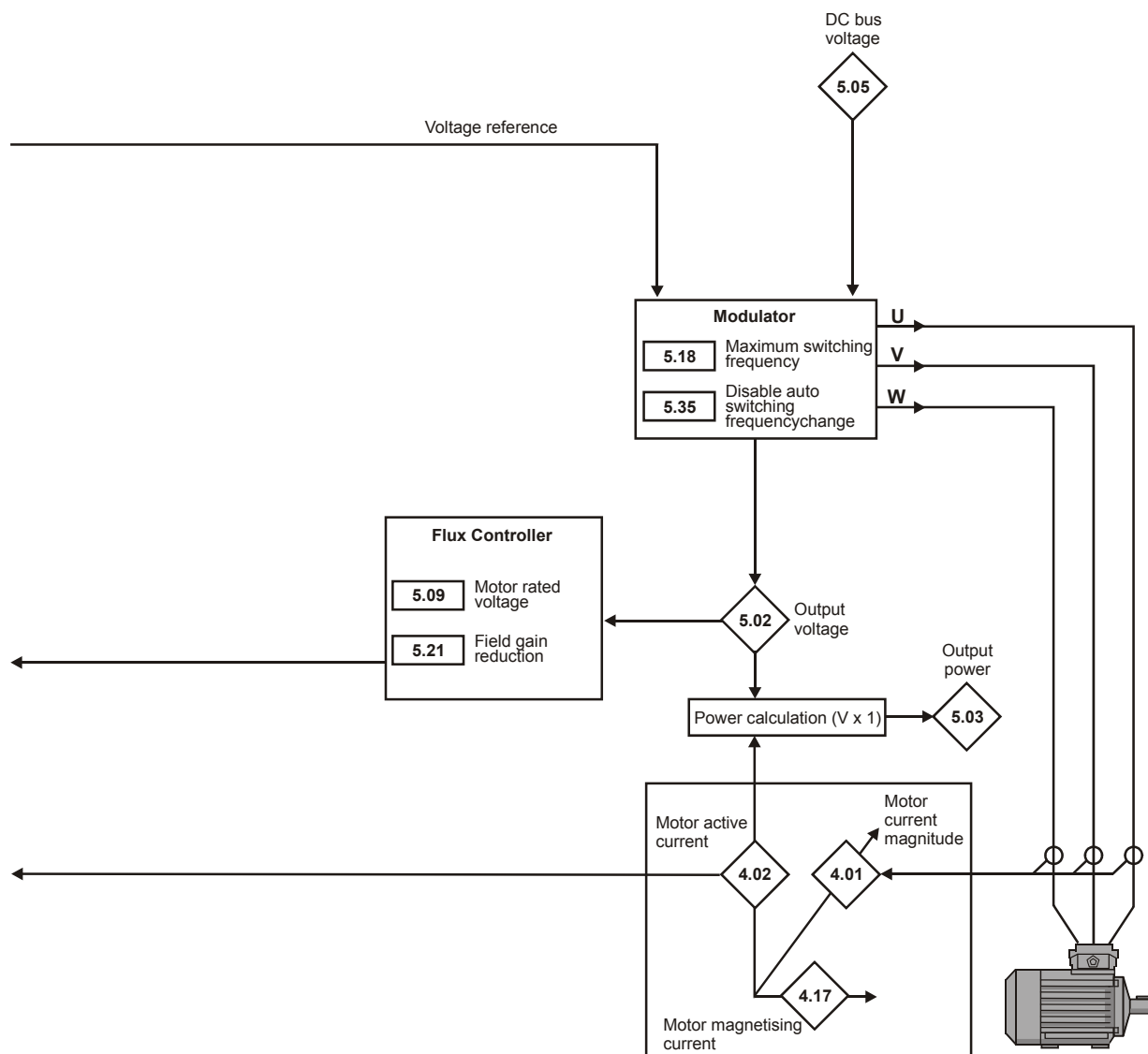


Figure 11-8 Menu 5 RFC logic diagram



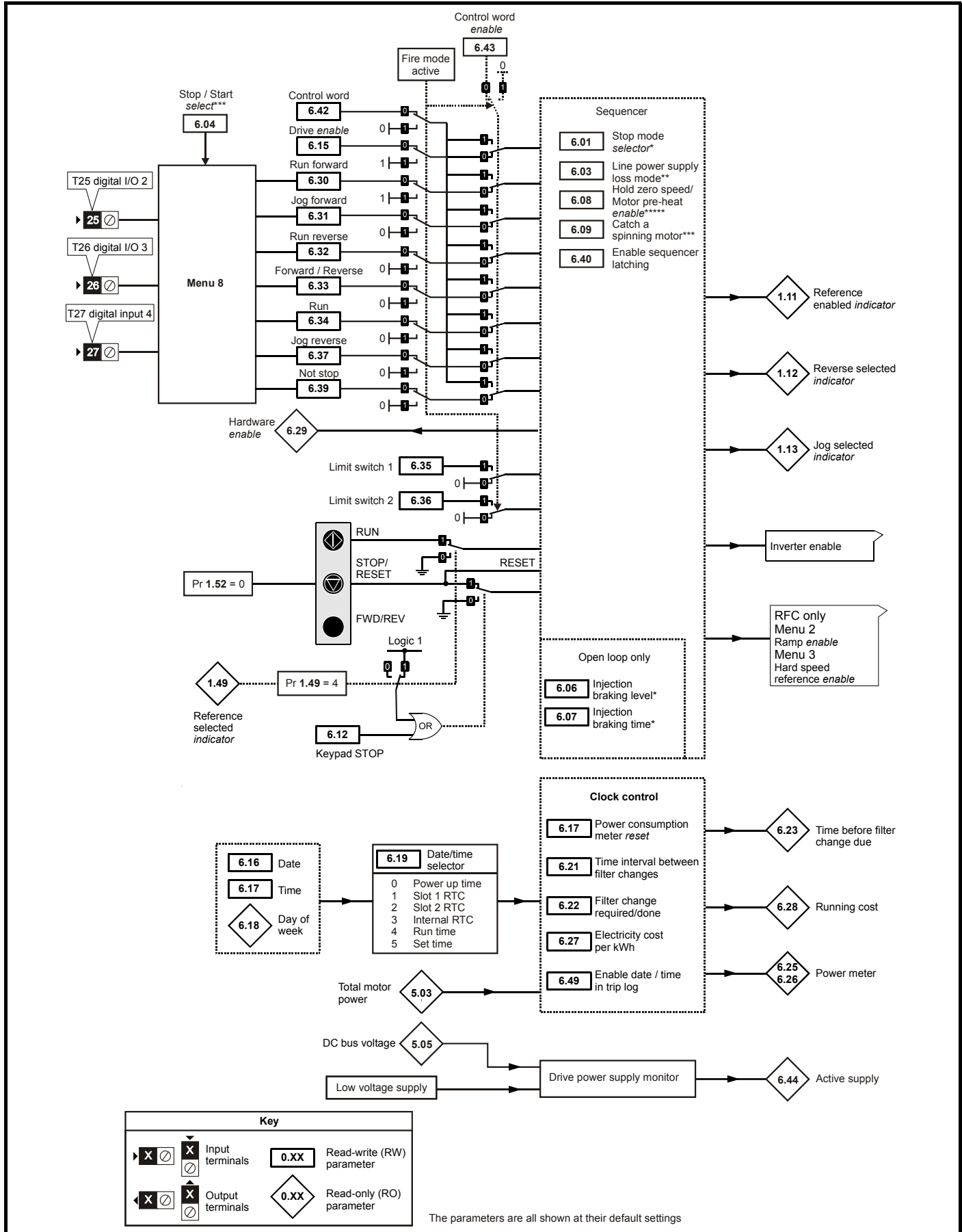


Parameter		Range( $\hat{\uparrow}$ )		Default( $\Rightarrow$ )		Type						
		OL	RFC	OL	RFC	RO	Bi	FI	NC	PT		
5.01	Output frequency {0.11}	$\pm$ SPEED_FREQ_MAX Hz	$\pm$ 1,250.0 Hz			RO	Bi	FI	NC	PT		
5.02	Output voltage	0 to AC_voltage_max V				RO	Uni	FI	NC	PT		
5.03	Output power	$\pm$ Power_max kW				RO	Bi	FI	NC	PT		
5.04	Motor rpm {0.10}	$\pm$ 180,000 rpm				RO	Bi	FI	NC	PT		
5.05	D.C bus voltage	0 to +DC_voltage_max V				RO	Uni	FI	NC	PT		
5.06	Rated frequency {0.47}	0 to 3,000 Hz	0 to 1,250.0 Hz	EUR> 50.0, USA> 60.0		RW	Uni					US
5.07	Motor rated current {0.46}	0 to Rated_current_max A		Rated_current_max		RW	Uni		RA			US
5.08	Rated load rpm / rated speed {0.45}	0 to 180,000 rpm	0.00 to 40,000.00 rpm	EUR> 1,500 USA> 1,800	EUR> 1,450.00 USA> 1,770.00	RW	Uni					US
5.09	Rated voltage {0.44}	0 to AC_VOLTAGE_SET_MAX V		200V drive: 230 400V drive: EUR> 400 USA> 460 575V drive: 575 690V drive: 690		RW	Uni		RA			US
5.10	Rated power factor {0.43}	0.000 to 1.000		0.850		RW	Uni		RA			US
5.11	Number of motor poles {0.42}	Auto to 120 Pole (0 to 60)		Auto (0)		RW	Txt					US
5.12	Autotune {0.40}	0 to 2	0 to 4	0		RW	Uni		NC			
5.13	Dynamic V/F / flux optimise select {0.09}	OFF (0) or On (1)			OFF (0)	RW	Bit					US
5.14	Voltage mode select {0.07}	Ur_S (0), Ur (1), Fd (2), Ur_Auto (3), Ur_I (4), SrE (5)			Fd (2)	RW	Txt					US
5.15	Low frequency voltage boost {0.08}	0.0 to 25.0 % of motor rated voltage		Size 1 to 3: 3.0 Size 4 & 5: 2.0 Size 6: 1.0		RW	Uni					US
5.17	Stator resistance	Size 1 to 5: 0.000 to 65.000 $\Omega$ Size 6: 0.000 to 65.000 x 10 m $\Omega$		0.0		RW	Uni		RA			US
5.18	Maximum switching frequency {0.41}	3 (0), 4 (1), 6 (2), 8 (3), 12 (4), 16 (5) kHz		3 (0)		RW	Txt		RA			US
5.19	High stability space vector modulation	OFF (0) or On (1)			OFF (0)	RW	Bit					US
5.20	Quasi-square enable					RW	Bit					US
5.21	Field gain reduction			OFF (0) or On (1)	OFF (0)	RW	Bit					US
5.23	Voltage offset	0.0 to 25.0 V			0.0	RW	Uni		RA			US
5.24	Transient inductance ( $\sigma L_s$ )	0.000 to 500.000 mH			0.000	RW	Uni		RA			US
5.25	Stator inductance ( $L_s$ )			0.00 to 5,000.00 mH	0.00	RW	Uni		RA			US
5.26	High dynamic performance enable			OFF (0) or On (1)	OFF (0)	RW	Bit					US
5.27	Enable slip compensation	OFF (0) or On (1)			On (1)	RW	Bit					US
5.28	Field weakening compensation disable			OFF (0) or On (1)	OFF (0)	RW	Bit					US
5.29	Motor saturation breakpoint 1				50	RW	Uni					US
5.30	Motor saturation breakpoint 2			0 to 100% of rated flux	75	RW	Uni					US
5.31	Voltage controller gain	0 to 30			1	RW	Uni					US
5.32	Motor torque per amp, $K_t$			0.00 to 500.00 N m A <sup>-1</sup>		RO	Uni					US
5.35	Disable auto switching frequency change	OFF (0) or On (1)			OFF (0)	RW	Bit					US
5.37	Actual switching frequency	3 (0), 4 (1), 6 (2), 8 (3), 12 (4), 16 (5), 6 rEd (6), 12 rEd (7)				RO	Txt		NC	PT		
5.40	Spin start boost {0.18}	0.0 to 10.0			1.0	RW	Uni					US

RW	Read / Write	RO	Read only	Uni	Unipolar	Bi	Bi-polar	Bit	Bit parameter	Txt	Text string		
FI	Filtered	DE	Destination	NC	Not copied	RA	Rating dependent	PT	Protected	US	User save	PS	Power down save

# 11.6 Menu 6: Sequencer and clock

Figure 11-9 Menu 6 logic diagram



Parameter		Range(↕)		Default(⇔)		Type							
		OL	RFC	OL	RFC								
6.01	Stop mode	COAST (0), rP (1), rPdcl (2), dcl (3), td.dcl (4), diSABLE (5)		COAST (0), rP (1), no.rP (2)		rP (1)		RW	Txt				US
6.03	Line power supply loss mode	diS (0), StoP (1), ridE.th (2)		diS (0)		diS (0)		RW	Txt				US
6.04	Start / stop logic select	0 to 4		4		4		RW	Uni				US
6.06	Injection braking level	0 to 150.0%				100.0%		RW	Uni		RA		US
6.07	Injection braking time	0.0 to 25.0s				1.0		RW	Uni				US
6.08	Hold zero speed / Motor pre-heat enable {0.38}	OFF (0) or On (1)		OFF (0)		OFF (0)		RW	Bit				US
6.09	Catch a spinning motor {0.39}	0 to 3		0 to 1		0		1	RW	Uni			US
6.12	Enable stop key	OFF (0) or On (1)		OFF (0)		OFF (0)		RW	Bit				US
6.15	Drive enable	OFF (0) or On (1)		On (1)		On (1)		RW	Bit				US
6.16	Date {0.22}	0 to 311299						RW	Uni		NC	PT	
6.17	Time {0.23}	0.00 to 23.59						RW	Uni		NC	PT	
6.18	Day of week	0 to 6						RO	Uni		NC	PT	
6.19	Date/time selection {0.24}	0 to 5				3		RW	Uni				
6.20	Date format {0.25}	Std (0), Std.ds (1), US (2), US.ds (3)		EUR> Std (0), USA> US (2)		EUR> Std (0), USA> US (2)		RW	Txt				US
6.21	Time between filter changes	0 to 30,000 hrs		0		0		RW	Uni				US
6.22	Filter change required / change done	OFF (0) or On (1)		OFF (0)		OFF (0)		RW	Bit			PT	
6.23	Time before filter change due	0 to 30,000 hrs						RO	Uni		NC	PT	PS
6.24	Reset energy meter	OFF (0) or On (1)		OFF (0)		OFF (0)		RW	Bit		NC		
6.25	Energy meter: MWh	±999.9 MWh						RO	Bi		NC	PT	PS
6.26	Energy meter: kWh	±99.99 kWh						RO	Bi		NC	PT	PS
6.27	Energy cost per kWh	0.0 to 600.0						RW	Uni		NC	PT	PS
6.28	Running cost	±32,000						RO	Bi		NC	PT	
6.29	Hardware enable							RO	Bit		NC	PT	
6.30	Sequencing bit: Run forward							RW	Bit		NC		
6.31	Sequencing bit: Jog forward							RW	Bit		NC		
6.32	Sequencing bit: Run reverse							RW	Bit		NC		
6.33	Sequencing bit: Forward / reverse							RW	Bit		NC		
6.34	Sequencing bit: Run	OFF (0) or On (1)		OFF (0)		OFF (0)		RW	Bit		NC		
6.35	Forward limit switch							RW	Bit		NC		
6.36	Reverse limit switch							RW	Bit		NC		
6.37	Sequencing bit: Jog reverse							RW	Bit		NC		
6.39	Sequencing bit: Not stop							RW	Bit		NC		
6.40	Enable sequencer latching							RW	Bit				US
6.41	Drive event flags	0 to 65,535		0		0		RW	Uni		NC		
6.42	Control word	0 to 32,767		0		0		RW	Uni		NC		
6.43	Control word enable	OFF (0) or On (1)		OFF (0)		OFF (0)		RW	Bit				US
6.44	Active supply	OFF (0) or On (1)		OFF (0)		OFF (0)		RO	Bit		NC	PT	
6.45	Force cooling fan to run at full speed	OFF (0) or On (1)		OFF (0)		OFF (0)		RW	Bit				US
6.46	Nominal low voltage supply	Size 1: 48V Size 2, 3 and 200V size 4: 48V to 72V 400V size 4 to 6: 48V to 96V		48		48		RW	Uni			PT	US
6.47	Disable phase loss detection from input rectifier	OFF (0) or On (1)		OFF (0)		OFF (0)		RW	Bit				US
6.48	Line power supply loss ride through detection level	0 to DC_VOLTAGE_SET_MAX V		200V drive: 205, 400V drive: 410, 575V drive: 540, 690V drive: 540		200V drive: 205, 400V drive: 410, 575V drive: 540, 690V drive: 540		RW	Uni		RA		US
6.49	Enable date/time in trip log	OFF (0) or On (1)		On (1)		On (1)		RW	Bit				US
6.50	Drive comms state	drv (0), SLOt 1(1), SLOt 2 (2)						RO	Txt		NC	PT	
6.51	External rectifier not active	OFF (0) or On (1)		OFF (0)		OFF (0)		RW	Bit				
6.52	Motor pre-heat current magnitude {0.39}	0 to 100 %		0		0		RW	Uni				US
6.53	Sleep/wake threshold {0.15}	±SPEED_FREQ_MAX Hz/rpm		0.0		0.0		RW	Uni				US
6.54	Sleep/wake delay time {0.16}	0.0 to 250.0 s		10.0		10.0		RW	Uni				US

RW	Read / Write	RO	Read only	Uni	Unipolar	Bi	Bi-polar	Bit	Bit parameter	Txt	Text string		
FI	Filtered	DE	Destination	NC	Not copied	RA	Rating dependent	PT	Protected	US	User save	PS	Power down save

\*For more information, refer to section 11.21.9 *Stop modes* on page 216.

\*\*For more information, refer to section 11.21.10 *Line power supply loss modes* on page 216.

\*\*\*For more information, refer to section 11.21.11 *Catch a spinning motor* on page 218.

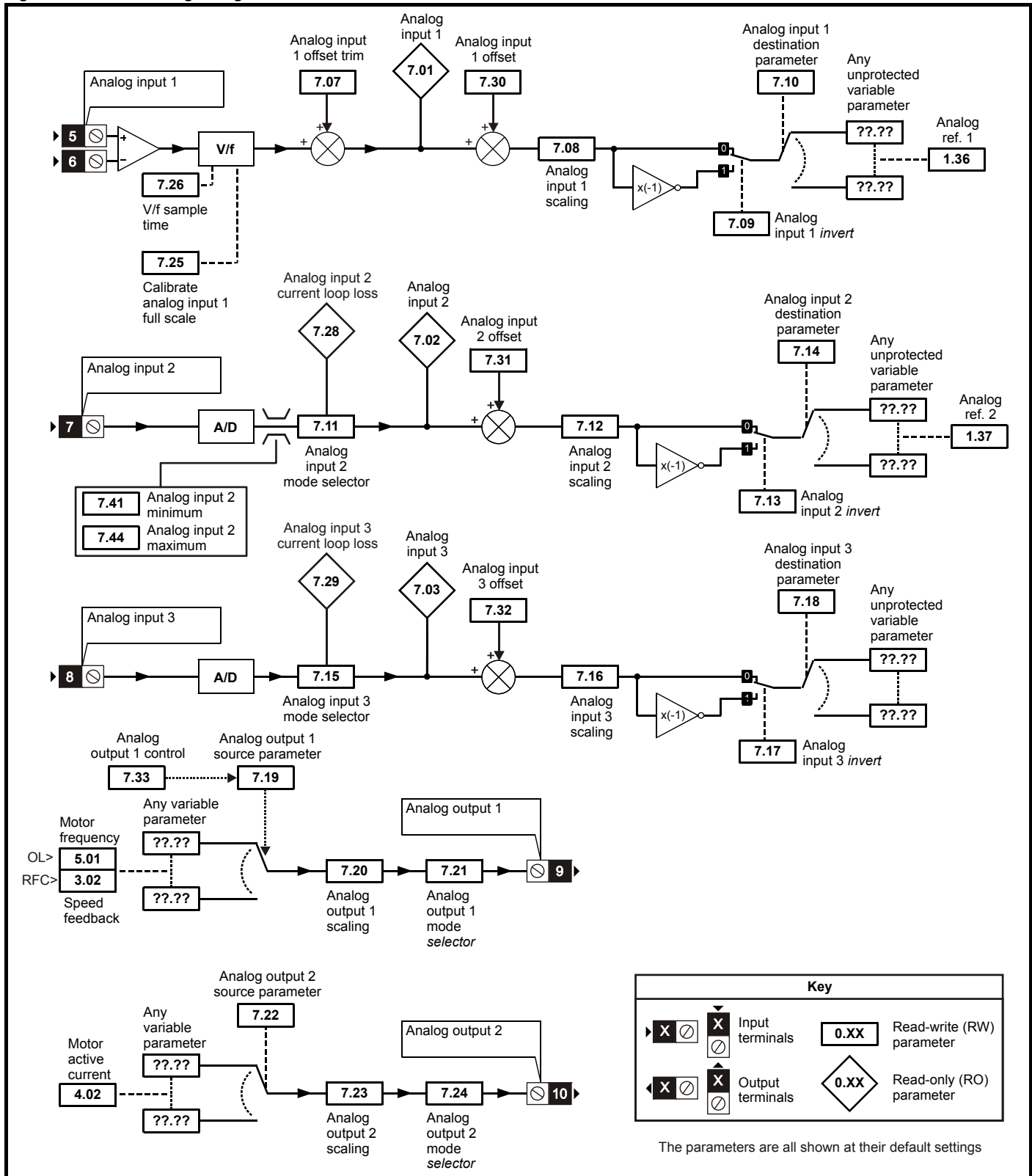
\*\*\*\*The drive thermal model system normally controls the fan speed, however the fan can be forced to operate at full speed if this parameter is set to 1. When this is set to 1 the fan remains at full speed until 10s

after this parameter is set to zero. Note that the fan will only run at full speed if the drive is not in a UU condition.



## 11.7 Menu 7: Analog I/O

Figure 11-10 Menu 7 logic diagram



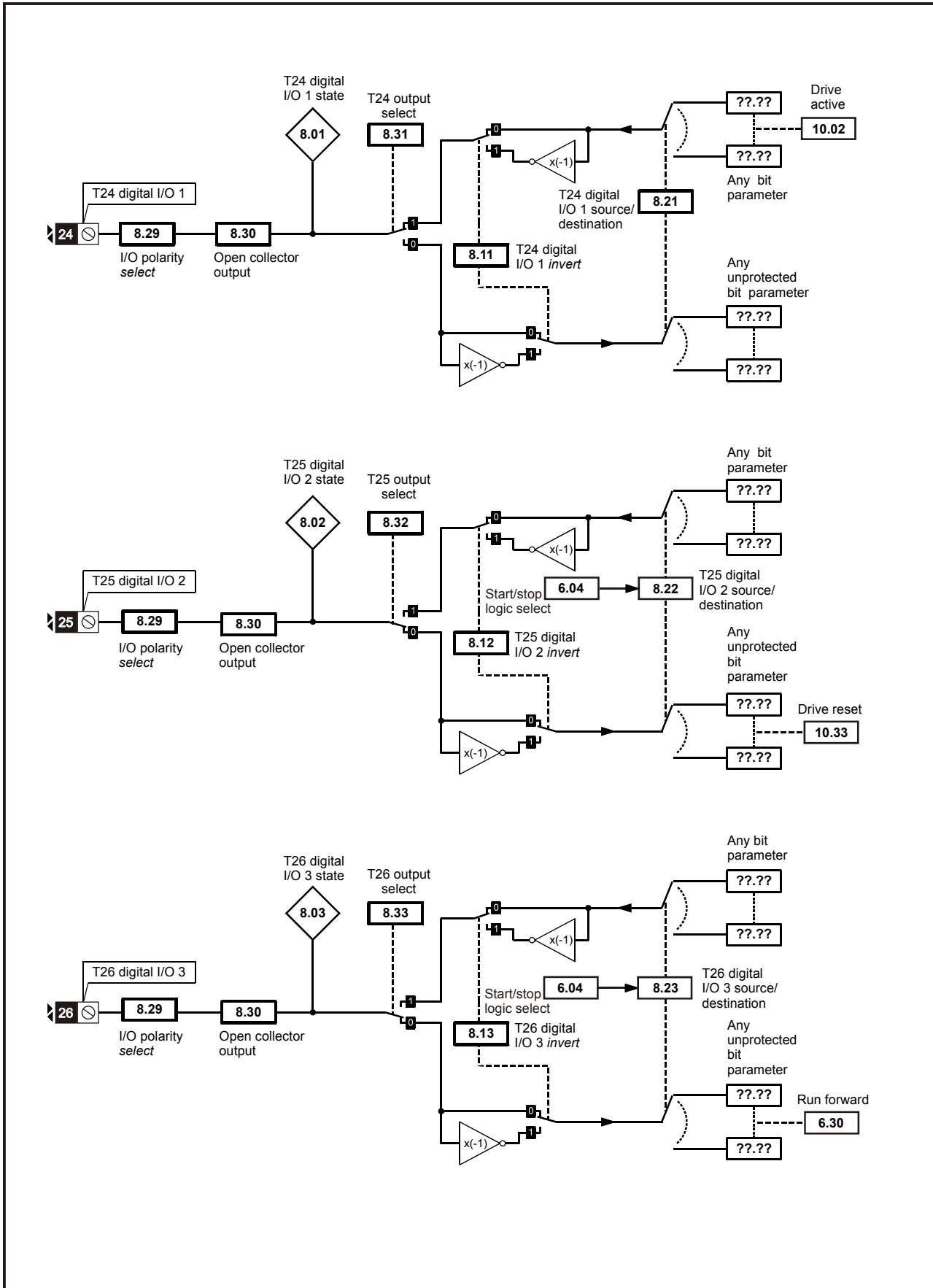
Parameter	Range(↕)		Default(⇔)		Type							
	OL	RFC	OL	RFC								
7.01	T5/6 analog input 1 level	±100.00 %				RO	Bi		NC	PT		
7.02	T7 analog input 2 level	±100.0 %				RO	Bi		NC	PT		
7.03	T8 analog input 3 level					RO	Bi		NC	PT		
7.04	Power circuit temperature 1					RO	Bi		NC	PT		
7.05	Power circuit temperature 2	-128 to 127 °C				RO	Bi		NC	PT		
7.06	Control board temperature					RO	Bi		NC	PT		
7.07	T5/6 analog input 1 offset trim	±10.000 %			0.000	RW	Bi					US
7.08	T5/6 analog input 1 scaling	0 to 4.000			1.000	RW	Uni					US
7.09	T5/6 analog input 1 invert	OFF (0) or On (1)			OFF (0)	RW	Bit					US
7.10	T5/6 analog input 1 destination	Pr 0.00 to Pr 50.99			Pr 1.36	RW	Uni	DE		PT		US
7.11	T7 analog input 2 mode {0.19}	0-20 (0), 20-0 (1), 4-20.tr (2), 20-4.tr (3), 4-20 (4), 20-4 (5), VOLt (6)			4-20 (4)	RW	Txt					US
7.12	T7 analog input 2 scaling	0 to 4.000			1.000	RW	Uni					US
7.13	T7 analog input 2 invert	OFF (0) or On (1)			OFF (0)	RW	Bit					US
7.14	T7 analog input 2 destination {0.20}	Pr 0.00 to Pr 50.99			Pr 1.37	RW	Uni	DE		PT		US
7.15	T8 analog input 3 mode {0.21}	0-20 (0), 20-0 (1), 4-20.tr (2), 20-4.tr (3), 4-20 (4), 20-4 (5), VOLt (6), th.SC (7), th (8), th.diSP (9)			VOLt (6)	RW	Txt					US
7.16	T8 analog input 3 scaling	0 to 4.000			1.000	RW	Uni					US
7.17	T8 analog input 3 invert	OFF (0) or On (1)			OFF (0)	RW	Bit					US
7.18	T8 analog input 3 destination	Pr 0.00 to Pr 50.99			Pr 0.00	RW	Uni	DE		PT		US
7.19	T9 analog output 1 source			Pr 5.01	Pr 3.02	RW	Uni			PT		US
7.20	T9 analog output 1 scaling	0.000 to 4.000			1.000	RW	Uni					US
7.21	T9 analog output 1 mode	VOLt (0), 0-20 (1), 4-20 (2), H.SPd (3)			VOLt (0)	RW	Txt					US
7.22	T10 analog output 2 source	Pr 0.00 to Pr 50.99			Pr 4.02	RW	Uni			PT		US
7.23	T10 analog output 2 scaling	0.000 to 4.000			1.000	RW	Uni					US
7.24	T10 analog output 2 mode	VOLt (0), 0-20 (1), 4-20 (2), H.SPd (3)			VOLt (0)	RW	Txt					US
7.25	Calibrate T5/6 analog input 1 full scale	OFF (0) or On (1)			OFF (0)	RW	Bit		NC			
7.26	T5/6 analog input 1 sample time	0 to 8.0 ms			4.0	RW	Uni					US
7.28	T7 analog input 2 current loop loss	OFF (0) or On (1)				RO	Bit		NC	PT		
7.29	T8 analog input 3 current loop loss					RO	Bit		NC	PT		
7.30	T5/6 analog input 1 offset	±100.00 %			0.00	RW	Bi					US
7.31	T7 analog input 2 offset	±100.0 %			0.0	RW	Bi					US
7.32	T8 analog input 3 offset					RW	Bi					US
7.33	T9 analog output 1 control	Fr (0), Ld (1), AdV (2)			AdV (2)	RW	Txt					US
7.34	IGBT junction temperature	±200 °C				RO	Bi		NC	PT		
7.35	Drive thermal protection accumulator	0 to 100.0 %				RO	Uni		NC	PT		
7.36	Power circuit temperature 3	-128 to 127 °C				RO	Bi		NC	PT		
7.41	Analog input 2 minimum				-100%	RW						
7.44	Analog input 2 maximum	±100%			100%	RW						

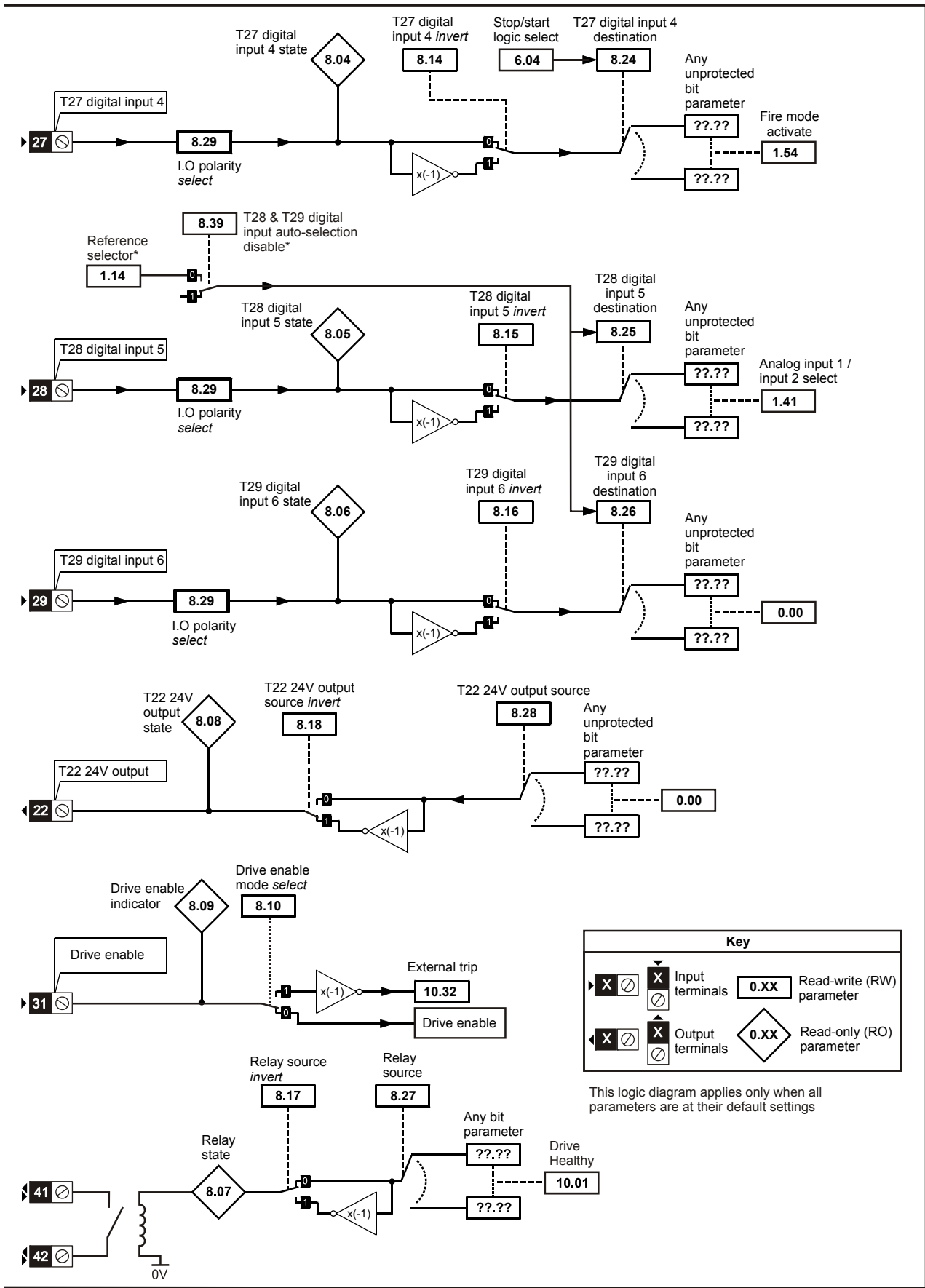
RW	Read / Write	RO	Read only	Uni	Unipolar	Bi	Bi-polar	Bit	Bit parameter	Txt	Text string		
FI	Filtered	DE	Destination	NC	Not copied	RA	Rating dependent	PT	Protected	US	User save	PS	Power down save



## 11.8 Menu 8: Digital I/O

Figure 11-11 Menu 8 logic diagram



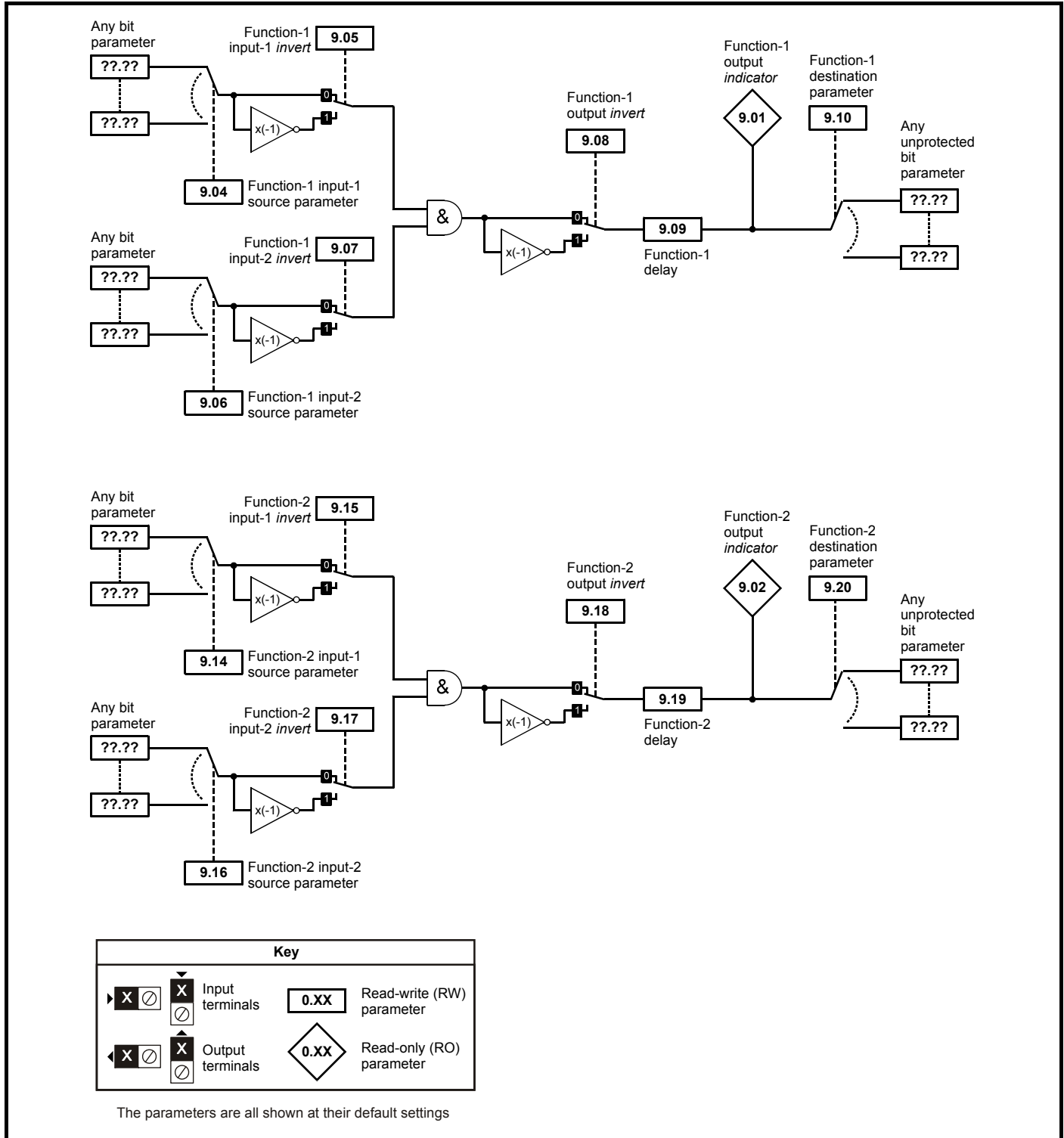


Parameter		Range(⇅)		Default(⇄)		Type						
		OL	RFC	OL	RFC							
8.01	T24 digital I/O 1 state	OFF (0) or On (1)				RO	Bit		NC	PT		
8.02	T25 digital I/O 2 state					RO	Bit		NC	PT		
8.03	T26 digital I/O 3 state					RO	Bit		NC	PT		
8.04	T27 digital input 4 state					RO	Bit		NC	PT		
8.05	T28 digital input 5 state					RO	Bit		NC	PT		
8.06	T29 digital input 6 state					RO	Bit		NC	PT		
8.07	Relay state					RO	Bit		NC	PT		
8.08	T22 24V output state					RO	Bit		NC	PT		
8.09	Drive enable indicator					RO	Bit		NC	PT		
8.10	Drive enable mode select			RW	Bit					US		
8.11	T24 digital I/O 1 invert			RW	Bit					US		
8.12	T25 digital I/O 2 invert			RW	Bit					US		
8.13	T26 digital I/O 3 invert			RW	Bit					US		
8.14	T27 digital input 4 invert			RW	Bit					US		
8.15	T28 digital input 5 invert			RW	Bit					US		
8.16	T29 digital input 6 invert			RW	Bit					US		
8.17	Relay source invert			RW	Bit					US		
8.18	T22 24V output source invert			RW	Bit					US		
8.20	Digital I/O read word	0 to 511				RO	Uni		NC	PT		
8.21	T24 digital I/O 1 source/destination	Pr 0.00 to Pr 50.99			Pr 10.02	RW	Uni	DE		PT	US	
8.22	T25 digital I/O 2 source/destination				Pr 10.33	RW	Uni	DE		PT	US	
8.23	T26 digital I/O 3 source/destination				Pr 6.30	RW	Uni	DE		PT	US	
8.24	T27 digital input 4 destination				Pr 1.54	RW	Uni	DE		PT	US	
8.25	T28 digital input 5 destination				Pr 1.41	RW	Uni	DE		PT	US	
8.26	T29 digital input 6 destination				Pr 0.00	RW	Uni	DE		PT	US	
8.27	Relay source				Pr 10.01	RW	Uni			PT	US	
8.28	T22 24V output source				Pr 0.00	RW	Uni			PT	US	
8.29	Positive logic select {0.51}				On (1)	RW	Bit			PT	US	
8.30	Open collector output				OFF (0)	RW	Bit				US	
8.31	T24 digital I/O 1 output select	OFF (0) or On (1)			On (1)	RW	Bit			US		
8.32	T25 digital I/O 2 output select				OFF (0)	RW	Bit			US		
8.33	T26 digital I/O 3 output select				OFF (0)	RW	Bit			US		
8.39	T28 & T29 digital input auto-selection disable	OFF (0) or On (1)			On (1)	RW	Bit			US		

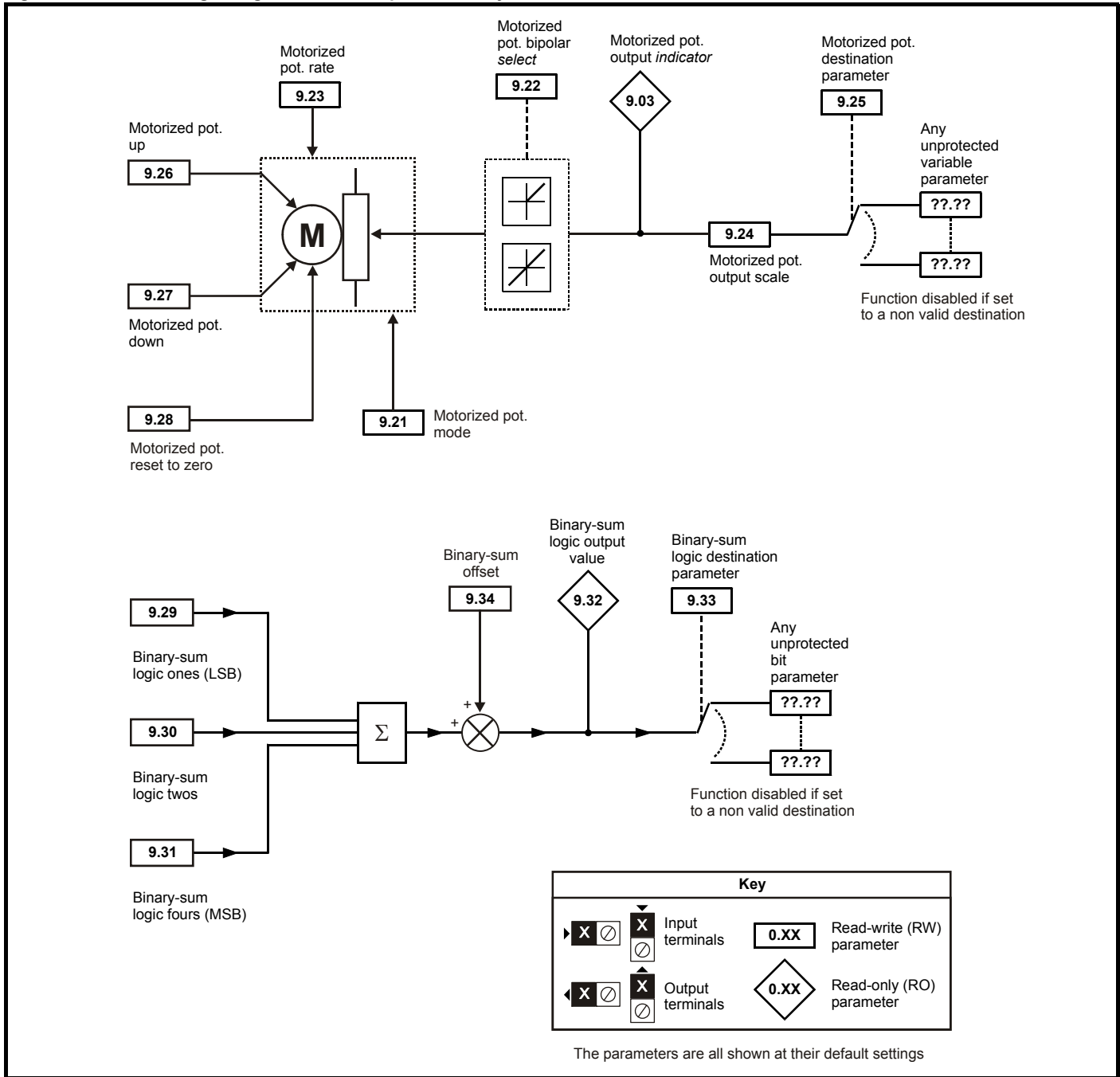
RW	Read / Write	RO	Read only	Uni	Unipolar	Bi	Bi-polar	Bit	Bit parameter	Txt	Text string		
FI	Filtered	DE	Destination	NC	Not copied	RA	Rating dependent	PT	Protected	US	User save	PS	Power down save

## 11.9 Menu 9: Programmable logic, motorized pot, binary sum and timers

Figure 11-12 Menu 9 logic diagram: Programmable logic

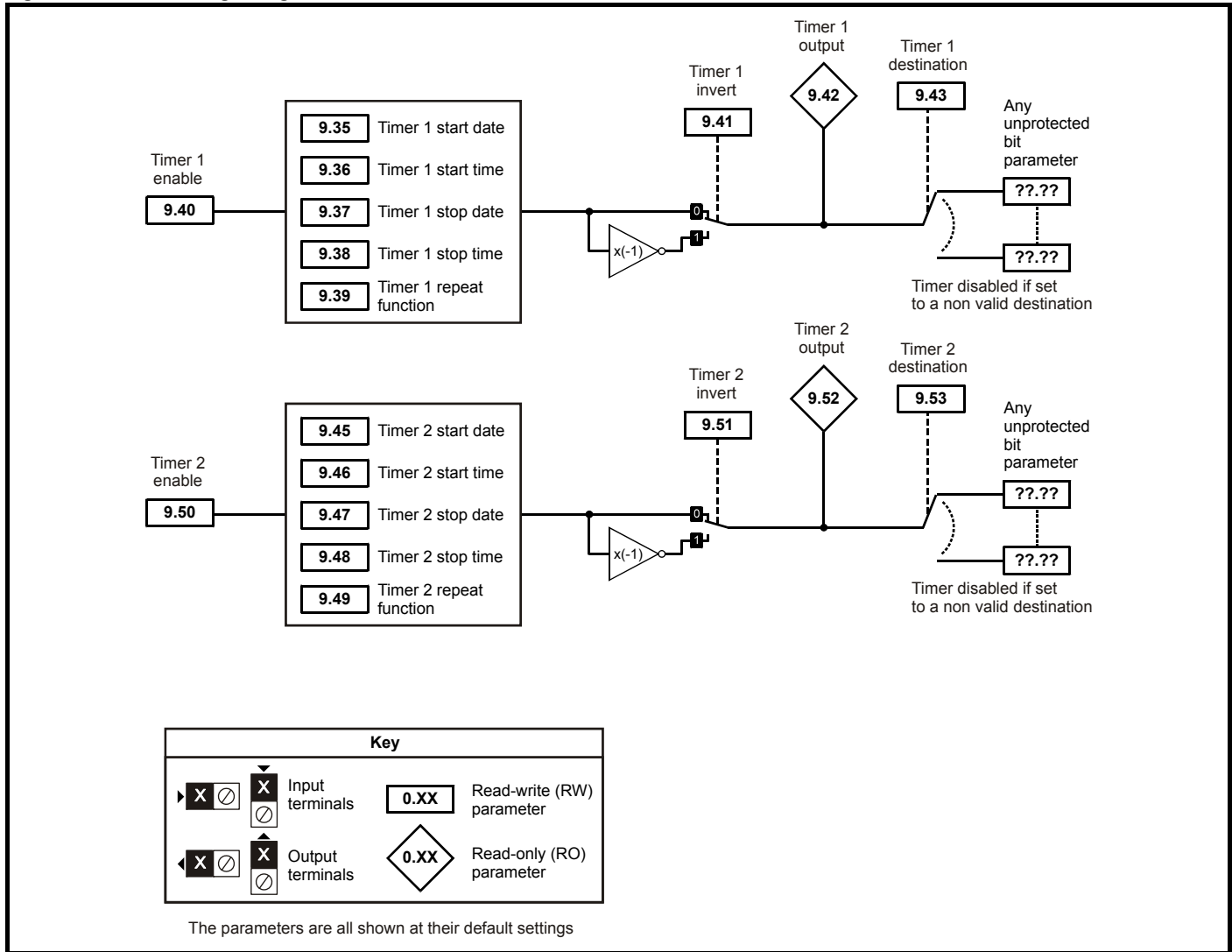


**Figure 11-13 Menu 9 logic diagram: Motorized pot and binary sum**





**Figure 11-14 Menu 9 logic diagram: Timers**



Parameter	Range(⇅)		Default(⇄)		Type					
	OL	RFC	OL	RFC						
9.01 Logic function 1 output		OFF (0) or On (1)			RO	Bit		NC	PT	
9.02 Logic function 2 output		OFF (0) or On (1)			RO	Bit		NC	PT	
9.03 Motorized pot output		±100.00 %			RO	Bi		NC	PT	PS
9.04 Logic function 1 source 1		Pr 0.00 to Pr 50.99		Pr 0.00	RW	Uni			PT	US
9.05 Logic function 1 source 1 invert		OFF (0) or On (1)		OFF (0)	RW	Bit				US
9.06 Logic function 1 source 2		Pr 0.00 to Pr 50.99		Pr 0.00	RW	Uni			PT	US
9.07 Logic function 1 source 2 invert		OFF (0) or On (1)		OFF (0)	RW	Bit				US
9.08 Logic function 1 output invert		OFF (0) or On (1)		OFF (0)	RW	Bit				US
9.09 Logic function 1 delay		±25.0 s		0.0	RW	Bi				US
9.10 Logic function 1 destination		Pr 0.00 to Pr 50.99		Pr 0.00	RW	Uni	DE		PT	US
9.14 Logic function 2 source 1		Pr 0.00 to Pr 50.99		Pr 0.00	RW	Uni			PT	US
9.15 Logic function 2 source 1 invert		OFF (0) or On (1)		OFF (0)	RW	Bit				US
9.16 Logic function 2 source 2		Pr 0.00 to Pr 50.99		Pr 0.00	RW	Uni			PT	US
9.17 Logic function 2 source 2 invert		OFF (0) or On (1)		OFF (0)	RW	Bit				US
9.18 Logic function 2 output invert		OFF (0) or On (1)		OFF (0)	RW	Bit				US
9.19 Logic function 2 delay		±25.0 s		0.0	RW	Bi				US
9.20 Logic function 2 destination		Pr 0.00 to Pr 50.99		Pr 0.00	RW	Uni	DE		PT	US
9.21 Motorized pot mode		0 to 3		2	RW	Uni				US
9.22 Motorized pot bipolar select		OFF (0) or On (1)		OFF (0)	RW	Bit				US
9.23 Motorized pot rate		0 to 250 s		20	RW	Uni				US
9.24 Motorized pot scale factor		0.000 to 4.000		1.000	RW	Uni				US
9.25 Motorized pot destination		Pr 0.00 to Pr 50.99		Pr 0.00	RW	Uni	DE		PT	US
9.26 Motorized pot up		OFF (0) or On (1)		OFF (0)	RW	Bit		NC		
9.27 Motorized pot down		OFF (0) or On (1)		OFF (0)	RW	Bit		NC		
9.28 Motorized pot reset		OFF (0) or On (1)		OFF (0)	RW	Bit		NC		
9.29 Binary sum ones input		OFF (0) or On (1)		OFF (0)	RW	Bit		NC		
9.30 Binary sum twos input		OFF (0) or On (1)		OFF (0)	RW	Bit		NC		
9.31 Binary sum fours input		OFF (0) or On (1)		OFF (0)	RW	Bit		NC		
9.32 Binary sum output		0 to 255			RO	Uni		NC	PT	
9.33 Binary sum destination		Pr 0.00 to Pr 50.99		Pr 0.00	RW	Uni	DE		PT	US
9.34 Binary sum offset		0 to 248		0	RW	Uni				US
9.35 Timer 1 start date {0.52}		0 to 311299		0	RW	Uni			PT	US
9.36 Timer 1 start time {0.53}		0.00 to 23.59		0.00	RW	Uni			PT	US
9.37 Timer 1 stop date {0.54}		0 to 311299		0	RW	Uni			PT	US
9.38 Timer 1 stop time {0.55}		0.00 to 23.59		0.00	RW	Uni			PT	US
9.39 Timer 1 repeat function {0.56}		0 to 6		0	RW	Uni			PT	US
9.40 Timer 1 enable {0.57}		OFF (0) or On (1)		OFF (0)	RW	Bit				US
9.41 Timer 1 invert		OFF (0) or On (1)		OFF (0)	RW	Bit				US
9.42 Timer 1 output		OFF (0) or On (1)		OFF (0)	RO	Bit			PT	
9.43 Timer 1 destination {0.58}		Pr 0.00 to Pr 50.99		Pr 0.00	RW	Uni			PT	US
9.45 Timer 2 start date		0 to 311299		0	RW	Uni			PT	US
9.46 Timer 2 start time		0.00 to 23.59		0.00	RW	Uni			PT	US
9.47 Timer 2 stop date		0 to 311299		0	RW	Uni			PT	US
9.48 Timer 2 stop time		0.00 to 23.59		0.00	RW	Uni			PT	US
9.49 Timer 2 repeat function		0 to 6		0	RW	Uni			PT	US
9.50 Timer 2 enable		OFF (0) or On (1)		OFF (0)	RW	Bit				US
9.51 Timer 2 invert		OFF (0) or On (1)		OFF (0)	RW	Bit				US
9.52 Timer 2 output		OFF (0) or On (1)		OFF (0)	RO	Bit			PT	
9.53 Timer 2 destination		Pr 0.00 to Pr 50.99		Pr 0.00	RW	Uni			PT	US

RW	Read / Write	RO	Read only	Uni	Unipolar	Bi	Bi-polar	Bit	Bit parameter	Txt	Text string		
FI	Filtered	DE	Destination	NC	Not copied	RA	Rating dependent	PT	Protected	US	User save	PS	Power down save

## 11.10 Menu 10: Status and trips

Parameter	Range(⇅)		Default(⇄)		Type				
	OL	RFC	OL	RFC					
10.01 Drive OK					RO	Bit	NC	PT	
10.02 Drive active					RO	Bit	NC	PT	
10.03 Zero speed					RO	Bit	NC	PT	
10.04 Running at or below minimum speed					RO	Bit	NC	PT	
10.05 Below set speed					RO	Bit	NC	PT	
10.06 At speed					RO	Bit	NC	PT	
10.07 Above set speed		OFF (0) or On (1)			RO	Bit	NC	PT	
10.08 Load reached					RO	Bit	NC	PT	
10.09 Drive output is at current limit					RO	Bit	NC	PT	
10.10 Regenerating					RO	Bit	NC	PT	
10.11 Braking IGBT active					RO	Bit	NC	PT	
10.12 Braking resistor alarm					RO	Bit	NC	PT	
10.13 Direction commanded					RO	Bit	NC	PT	
10.14 Direction running		OFF (0) or On (1) [0 = FWD, 1 = REV]			RO	Bit	NC	PT	
10.15 Line power supply loss					RO	Bit	NC	PT	
10.16 Under voltage active					RO	Bit	NC	PT	
10.17 Overload alarm		OFF (0) or On (1)			RO	Bit	NC	PT	
10.18 Drive over temperature alarm					RO	Bit	NC	PT	
10.19 Drive warning					RO	Bit	NC	PT	
10.20 Trip 0					RO	Txt	NC	PT	PS
10.21 Trip 1					RO	Txt	NC	PT	PS
10.22 Trip 2					RO	Txt	NC	PT	PS
10.23 Trip 3					RO	Txt	NC	PT	PS
10.24 Trip 4					RO	Txt	NC	PT	PS
10.25 Trip 5		0 to 232*			RO	Txt	NC	PT	PS
10.26 Trip 6					RO	Txt	NC	PT	PS
10.27 Trip 7					RO	Txt	NC	PT	PS
10.28 Trip 8					RO	Txt	NC	PT	PS
10.29 Trip 9					RO	Txt	NC	PT	PS
10.30 Full power braking time		0.00 to 400.00 s		See Table 11-6	RW	Uni			US
10.31 Full power braking period		0.0 to 1500.0 s		See Table 11-6	RW	Uni			US
10.32 External trip		OFF (0) or On (1)		OFF (0)	RW	Bit	NC		
10.33 Drive reset					RW	Bit	NC		
10.34 No. of auto-reset attempts		0 to 6 (inf)		0	RW	Txt			US
10.35 Auto-reset delay		0.0 to 25.0 s		1.0	RW	Uni			US
10.36 Hold drive OK until last attempt		OFF (0) or On (1)		OFF (0)	RW	Bit			US
10.37 Action on trip detection		0 to 15		0	RW	Uni			US
10.38 User trip		0 to 255		0	RW	Uni	NC		
10.39 Braking energy overload accumulator		0.0 to 100.0 %			RO	Uni	NC	PT	
10.40 Status word		0 to 32,767			RO	Uni	NC	PT	
10.41 Trip 0 date		0.00 to 31.12			RO	Uni	NC	PT	PS
10.42 Module number for trip 0, or, Trip 0 time		00.00 to 23.59 hours.minutes			RO	Uni	NC	PT	PS
10.43 Trip 1 date		0.00 to 31.12			RO	Uni	NC	PT	PS
10.44 Module number for trip 1, or, Trip 1 time		00.00 to 23.59 hours.minutes			RO	Uni	NC	PT	PS
10.45 Trip 2 date		0.00 to 31.12			RO	Uni	NC	PT	PS
10.46 Module number for trip 2, or, Trip 2 time		00.00 to 23.59 hours.minutes			RO	Uni	NC	PT	PS
10.47 Trip 3 date		0.00 to 31.12			RO	Uni	NC	PT	PS
10.48 Module number for trip 3, or, Trip 3 time		00.00 to 23.59 hours.minutes			RO	Uni	NC	PT	PS
10.49 Trip 4 date		0.00 to 31.12			RO	Uni	NC	PT	PS
10.50 Module number for trip 4, or, Trip 4 time		00.00 to 23.59 hours.minutes			RO	Uni	NC	PT	PS
10.51 Trip 5 date		0.00 to 31.12			RO	Uni	NC	PT	PS
10.52 Module number for trip 5, or, Trip 5 time		00.00 to 23.59 hours.minutes			RO	Uni	NC	PT	PS
10.53 Trip 6 date		0.00 to 31.12			RO	Uni	NC	PT	PS
10.54 Module number for trip 6, or, Trip 6 time		00.00 to 23.59 hours.minutes			RO	Uni	NC	PT	PS
10.55 Trip 7 date		0.00 to 31.12			RO	Uni	NC	PT	PS
10.56 Module number for trip 7, or, Trip 7 time		00.00 to 23.59 hours.minutes			RO	Uni	NC	PT	PS
10.57 Trip 8 date		0.00 to 31.12			RO	Uni	NC	PT	PS
10.58 Module number for trip 8, or, Trip 8 time		00.00 to 23.59 hours.minutes			RO	Uni	NC	PT	PS
10.59 Trip 9 date		0.00 to 31.12			RO	Uni	NC	PT	PS
10.60 Module number for trip 9, or, Trip 9 time		00.00 to 23.59 hours.minutes			RO	Uni	NC	PT	PS
10.61 Low load detected alarm		OFF (0) or On (1)			RO	Bit		PT	

RW	Read / Write	RO	Read only	Uni	Unipolar	Bi	Bi-polar	Bit	Bit parameter	Txt	Text string		
Fl	Filtered	DE	Destination	NC	Not copied	RA	Rating dependent	PT	Protected	US	User save	PS	Power down save

\*The value given for the range is that obtained via serial communication.  
 For the text string displayed on the drive, see Chapter 13 *Diagnostics* on page 244.

**Table 11-6 Defaults for Pr 10.30 and Pr 10.31**

Drive rating	Pr 10.30	Pr 10.31
200V, size 1 & 2	0.09	3.3
400V, size 1 & 2	0.02	3.3
All other ratings and frame sizes	0.00	

## 11.11 Menu 11: General drive set-up

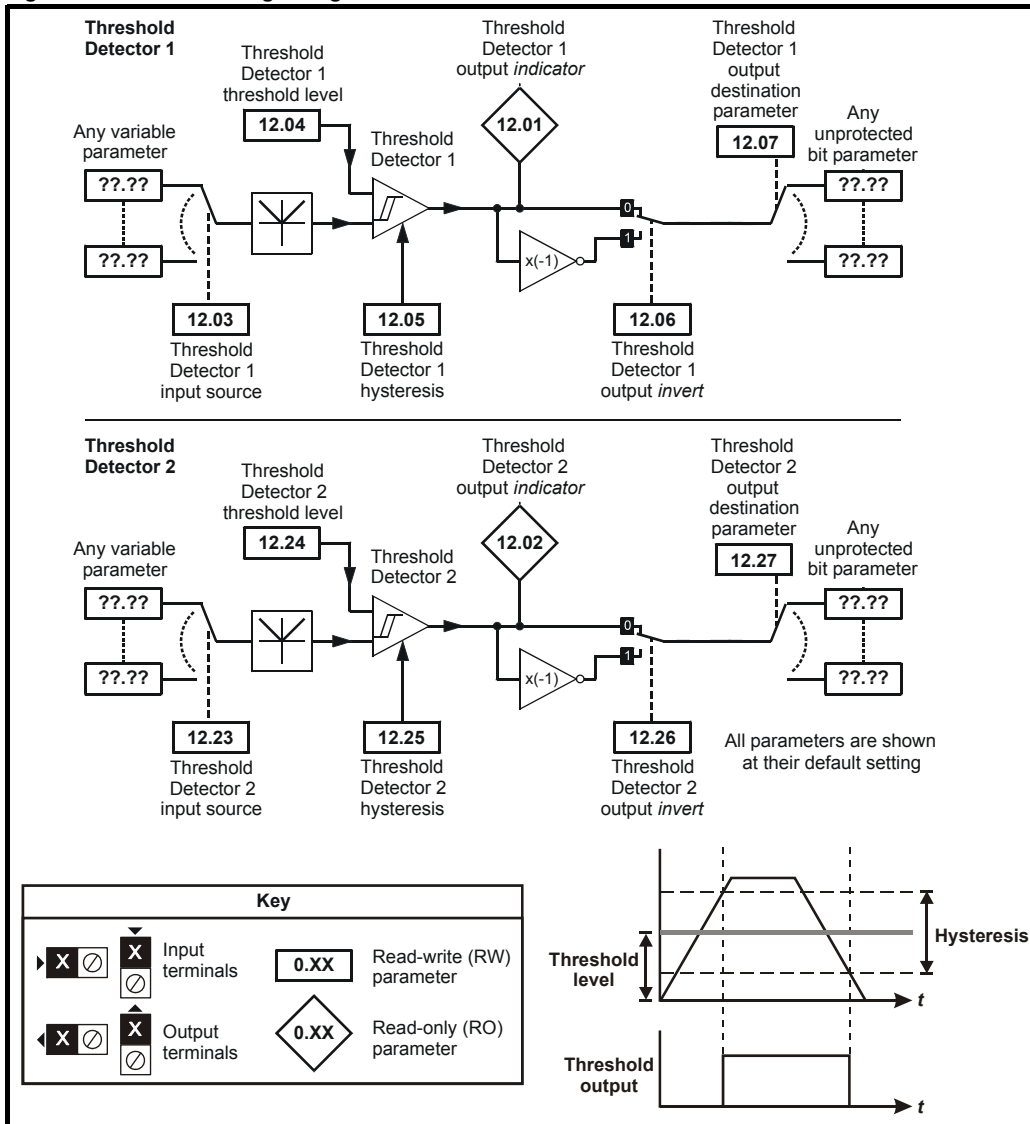
Parameter	Range(⇅)		Default(⇔)		Type					
	OL	RFC	OL	RFC						
11.01	Parameter 0.11 set up	Pr 1.00 to Pr 50.99	Pr 5.01		RW	Uni			PT	US
11.02	Parameter 0.12 set up		Pr 4.01		RW	Uni			PT	US
11.03	Parameter 0.13 set up		Pr 4.20		RW	Uni			PT	US
11.04	Parameter 0.14 set up		Pr 2.04		RW	Uni			PT	US
11.05	Parameter 0.15 set up		Pr 6.53		RW	Uni			PT	US
11.06	Parameter 0.16 set up		Pr 6.54		RW	Uni			PT	US
11.07	Parameter 0.17 set up		Pr 0.00		Pr 4.12	RW	Uni		PT	US
11.08	Parameter 0.18 set up		Pr 5.40		RW	Uni			PT	US
11.09	Parameter 0.19 set up		Pr 7.11		RW	Uni			PT	US
11.10	Parameter 0.20 set up		Pr 7.14		RW	Uni			PT	US
11.11	Parameter 0.21 set up		Pr 7.15		RW	Uni			PT	US
11.12	Parameter 0.22 set up		Pr 6.16		RW	Uni			PT	US
11.13	Parameter 0.23 set up		Pr 6.17		RW	Uni			PT	US
11.14	Parameter 0.24 set up		Pr 6.19		RW	Uni			PT	US
11.15	Parameter 0.25 set up		Pr 6.20		RW	Uni			PT	US
11.16	Parameter 0.26 set up		Pr 4.27		RW	Uni			PT	US
11.17	Parameter 0.27 set up		Pr 4.28		RW	Uni			PT	US
11.18	Parameter 0.28 set up		Pr 4.29		RW	Uni			PT	US
11.19	Parameter 0.29 set up		Pr 11.36		RW	Uni			PT	US
11.20	Parameter 0.30 set up		Pr 11.42		RW	Uni			PT	US
11.21	Parameter scaling	0.000 to 9.999		1.000		RW	Uni			US
11.22	Parameter displayed at power-up	Pr 0.00 to 00.59		Pr 0.10		RW	Uni			PT US
11.23	PC comms address {0.37}	0 to 247		1		RW	Uni			US
11.24	PC comms mode {0.35}	AnSI (0), rTU (1), Lcd (2)		rTU (1)		RW	Txt			PT US
11.25	Baud rate {0.36}	300 (0), 600 (1), 1200 (2), 2400 (3), 4800 (4), 9600 (5), 19200 (6), 38400 (7), 57600 (8)*, 115200 (9)* *Modbus RTU only		19200 (6)		RW	Txt			US
11.26	Minimum comms transmit delay	0 to 250ms		2		RW	Uni			US
11.28	Drive derivative	0 to 16				RO	Uni	NC	PT	
11.29	Software version {0.50}	1.00 to 99.99				RO	Uni	NC	PT	
11.30	User security code {0.34}	0 to 999		0		RW	Uni	NC	PT	PS
11.31	User drive mode {0.48}	OPEn LP (1), rfc (2),		OPEn LP (1)	rfc (2)	RW	Txt	NC	PT	
11.32	Drive current scaling {0.32}	0.00 to 9999.99A				RW	Uni	NC	PT	
11.33	Drive voltage rating {0.31}	200 (0), 400 (1), 575 (2), 690 (3)				RO	Txt	NC	PT	
11.34	Software sub-version	0 to 99				RO	Uni	NC	PT	
11.35	Number of modules	0 to 10		0		RW	Uni			PT US
11.36	SMARTCARD parameter data previously loaded {0.29}	0 to 999		0		RO	Uni	NC	PT	US
11.37	SMARTCARD data number	0 to 1003		0		RW	Uni	NC		
11.38	SMARTCARD data type / mode	0 to 18				RO	Txt	NC	PT	
11.39	SMARTCARD data version	0 to 9,999		0		RW	Uni	NC		
11.40	SMARTCARD data checksum	0 to 65,335				RO	Uni	NC	PT	
11.41	Status mode timeout	0 to 250s		240		RW	Uni			US
11.42	Parameter cloning {0.30}	nonE (0), rEAd (1), Prog (2), AutO (3), boot (4)		nonE (0)		RW	Txt	NC		*
11.43	Load defaults	nonE (0), Eur (1), USA (2)		nonE (0)		RW	Txt	NC		
11.44	Security status {0.49}	L1 (0), L2 (1), Loc (2)				RW	Txt		PT	US
11.45	Select motor 2 parameters	OFF (0) or On (1)		OFF (0)		RW	Bit			US
11.46	Defaults previously loaded	0 to 2000				RO	Uni	NC	PT	US
11.47	Drive Onboard PLC program enable	Halt program (0) Run program: out of range = clip (1) Run program: out of range = trip (2)		Run program: out of range = trip (2)		RW	Uni			US
11.48	Drive Onboard PLC program status	-128 to +127				RO	Bi	NC	PT	
11.49	Drive Onboard PLC programming events	0 to 65,535				RO	Uni	NC	PT	PS
11.50	Drive Onboard PLC program average scan time	0 to 65,535 ms				RO	Uni	NC	PT	
11.51	Drive Onboard PLC program first run	OFF (0) or On (1)				RO	Bit	NC	PT	

\* Modes 1 and 2 are not user saved, Modes 0, 3 and 4 are user saved

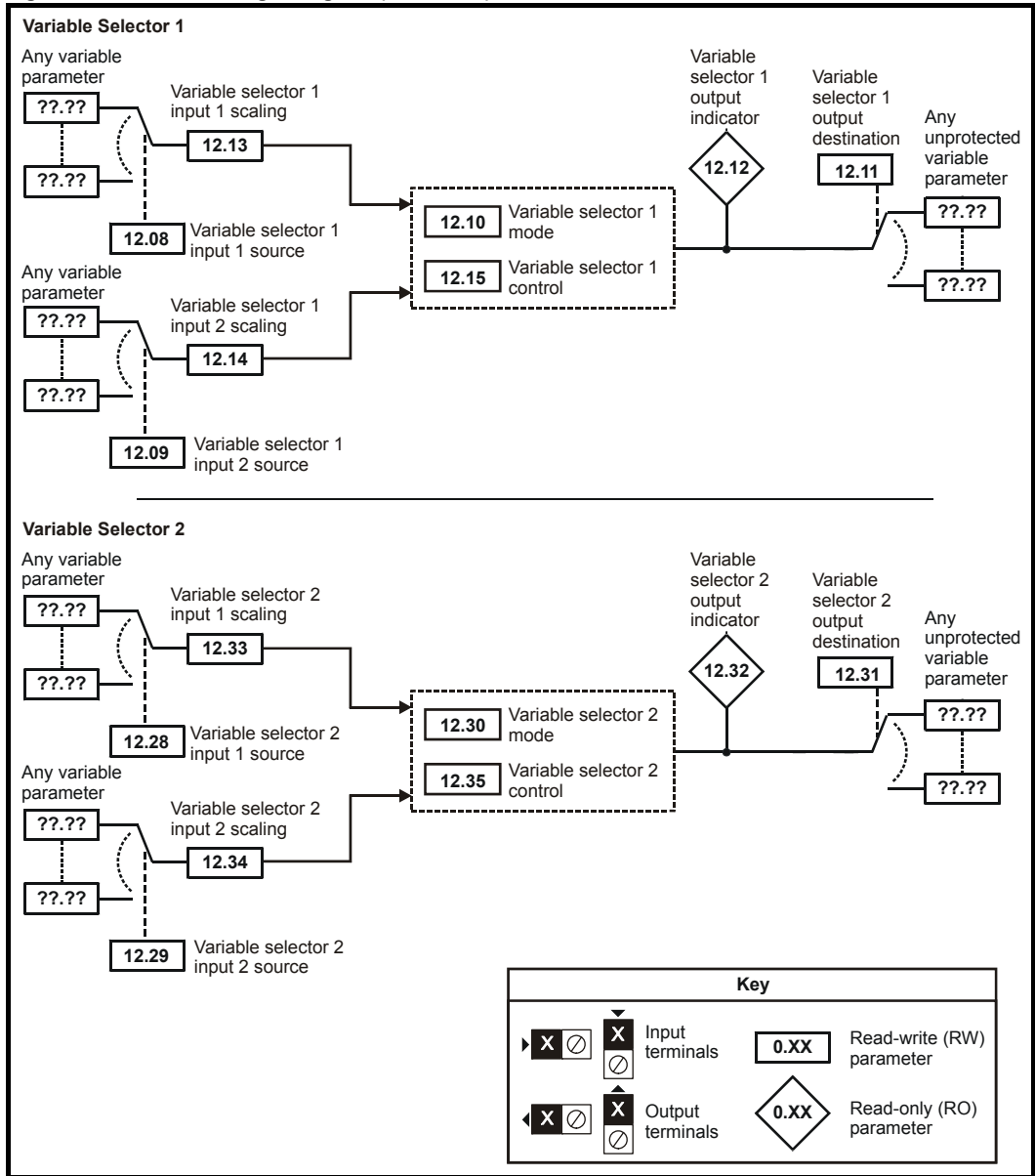
RW	Read / Write	RO	Read only	Uni	Unipolar	Bi	Bi-polar	Bit	Bit parameter	Txt	Text string		
FI	Filtered	DE	Destination	NC	Not copied	RA	Rating dependent	PT	Protected	US	User save	PS	Power down save

## 11.12 Menu 12: Threshold detectors, variable selectors and brake control function

Figure 11-15 Menu 12 logic diagram



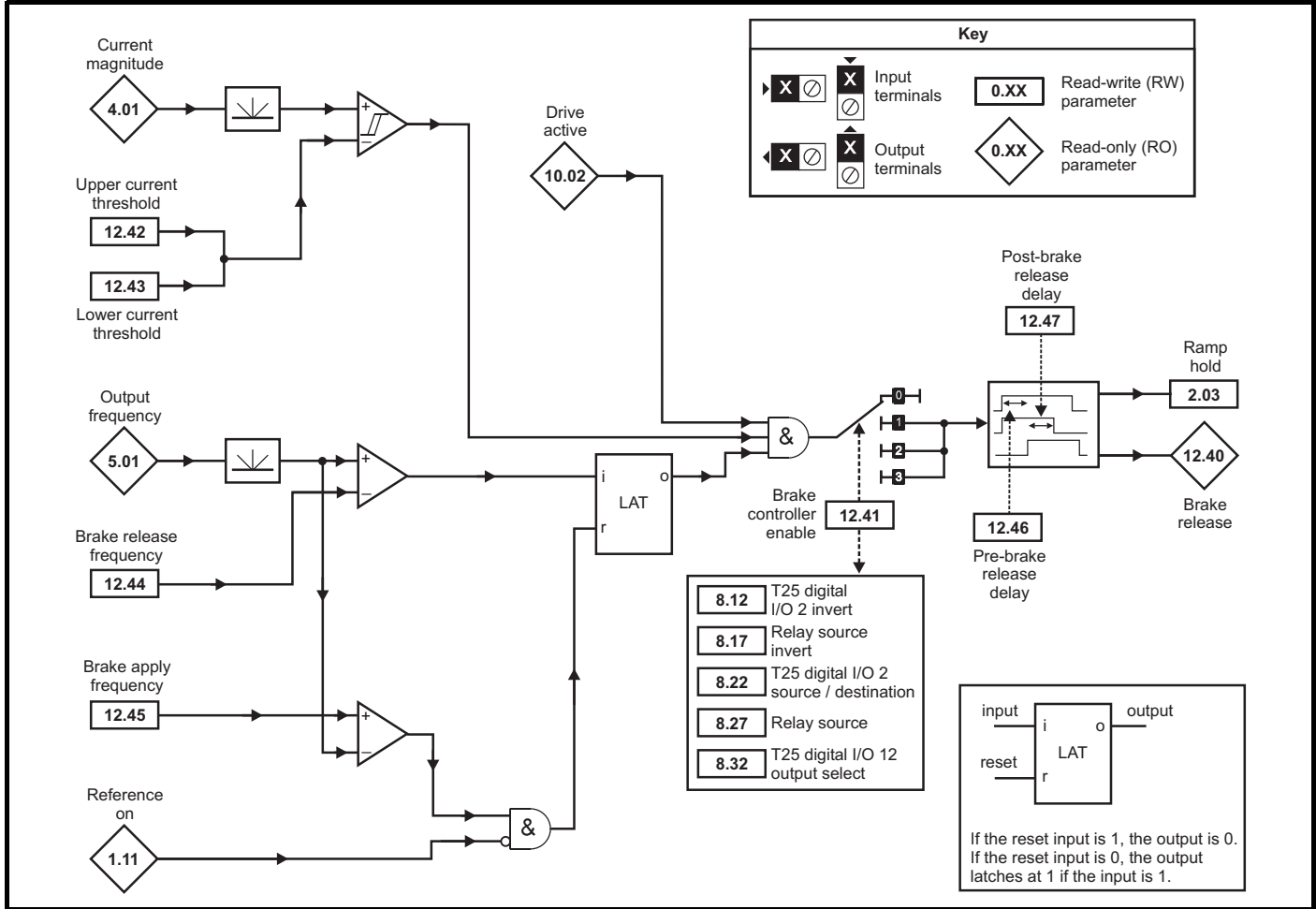
**Figure 11-16 Menu 12 logic diagram (continued)**



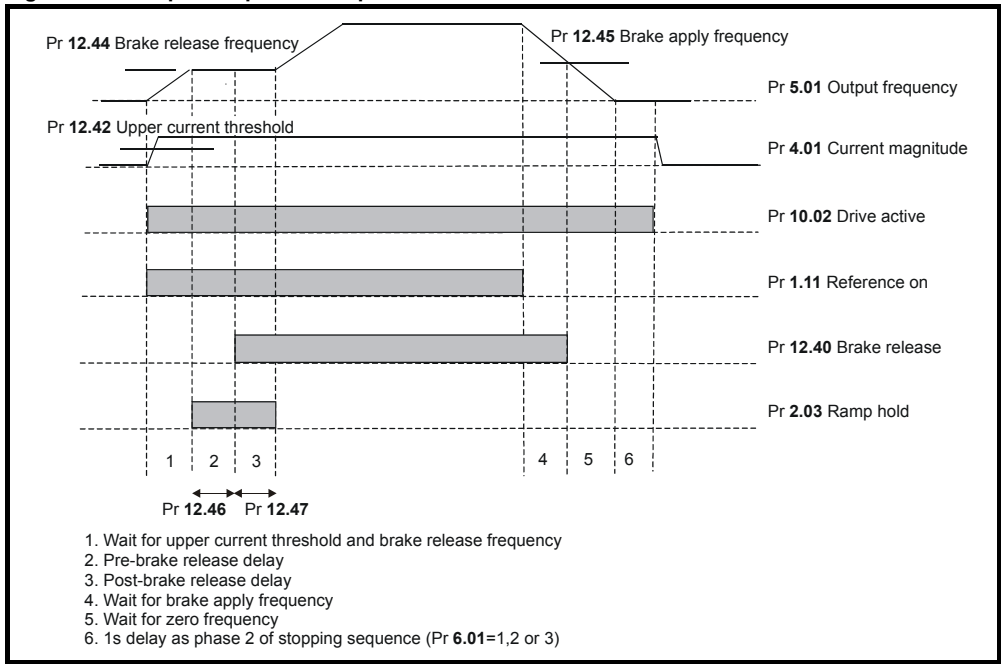


The control terminal relay can be selected as an output to release a brake. If a drive is set up in this manner and a drive replacement takes place, prior to programming the drive on initial power up, the brake may be released. When drive terminals are programmed to non default settings the result of incorrect or delayed programming must be considered. The use of a Smartcard in boot mode can ensure drive parameters are immediately programmed to avoid this situation.

**Figure 11-17 Open-loop brake function**



**Figure 11-18 Open-loop brake sequence**

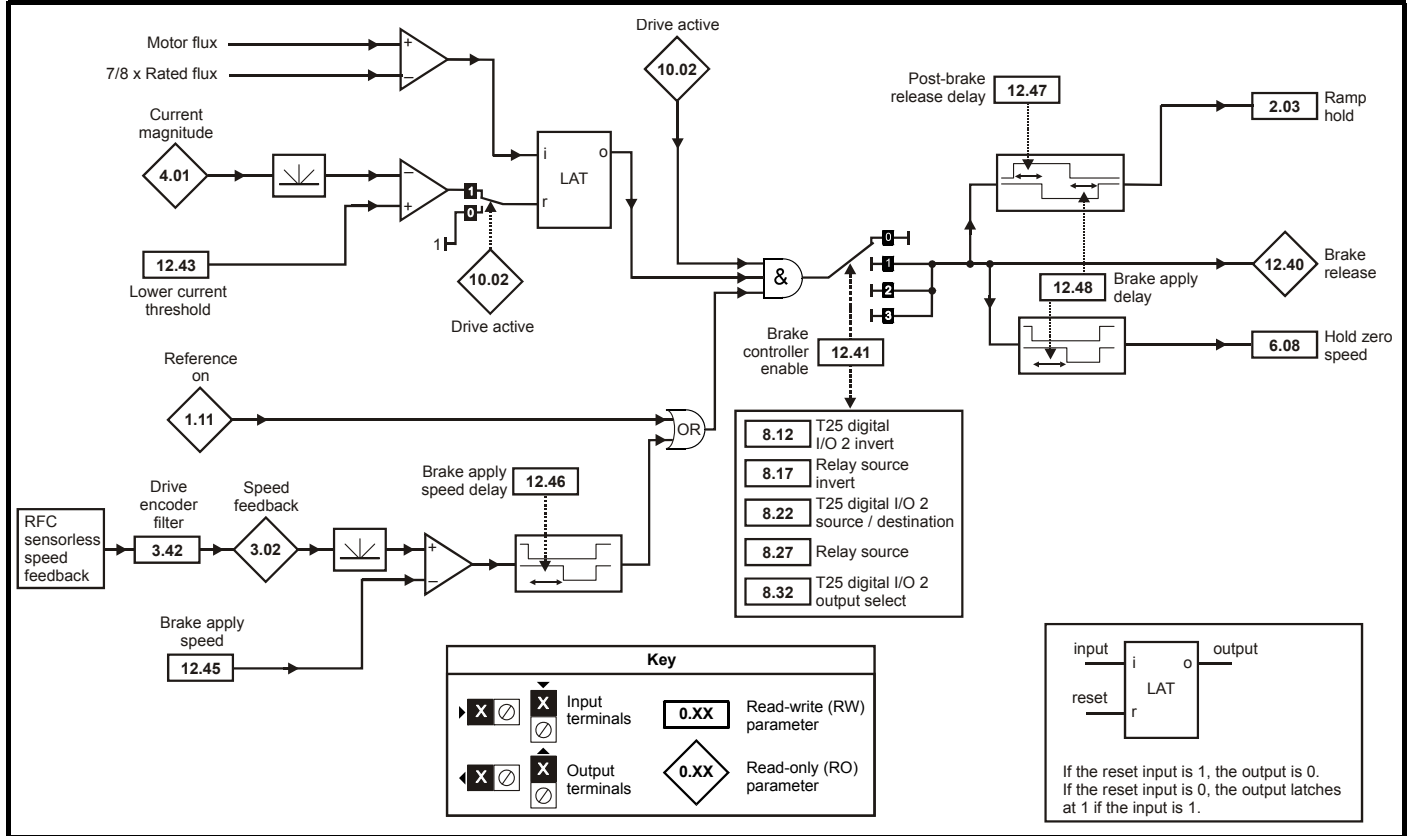




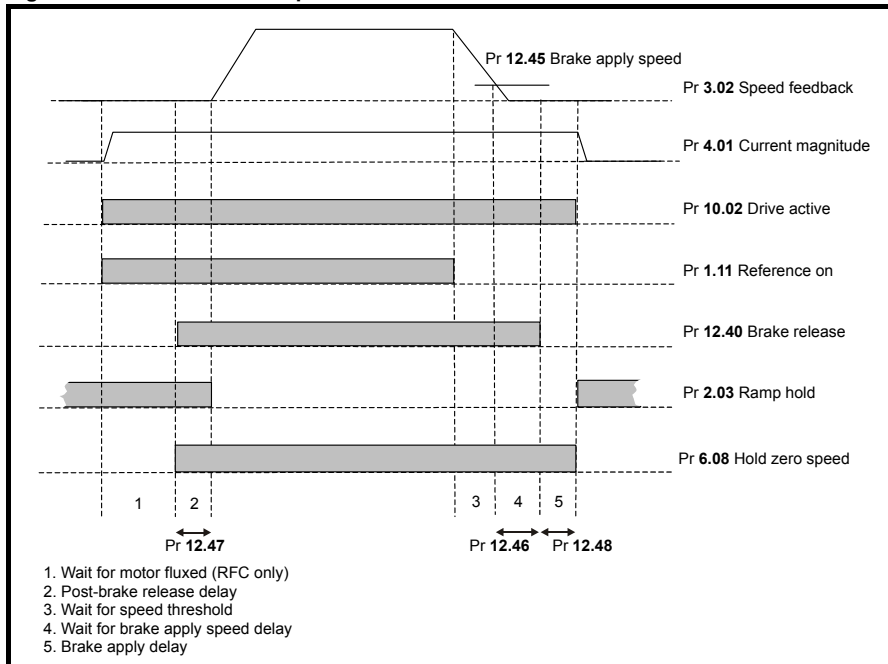


The control terminal relay can be selected as an output to release a brake. If a drive is set up in this manner and a drive replacement takes place, prior to programming the drive on initial power up, the brake may be released. When drive terminals are programmed to non default settings the result of incorrect or delayed programming must be considered. The use of a SMARTCARD in boot mode can ensure drive parameters are immediately programmed to avoid this situation.

**Figure 11-19 RFC brake function**



**Figure 11-20 RFC brake sequence**





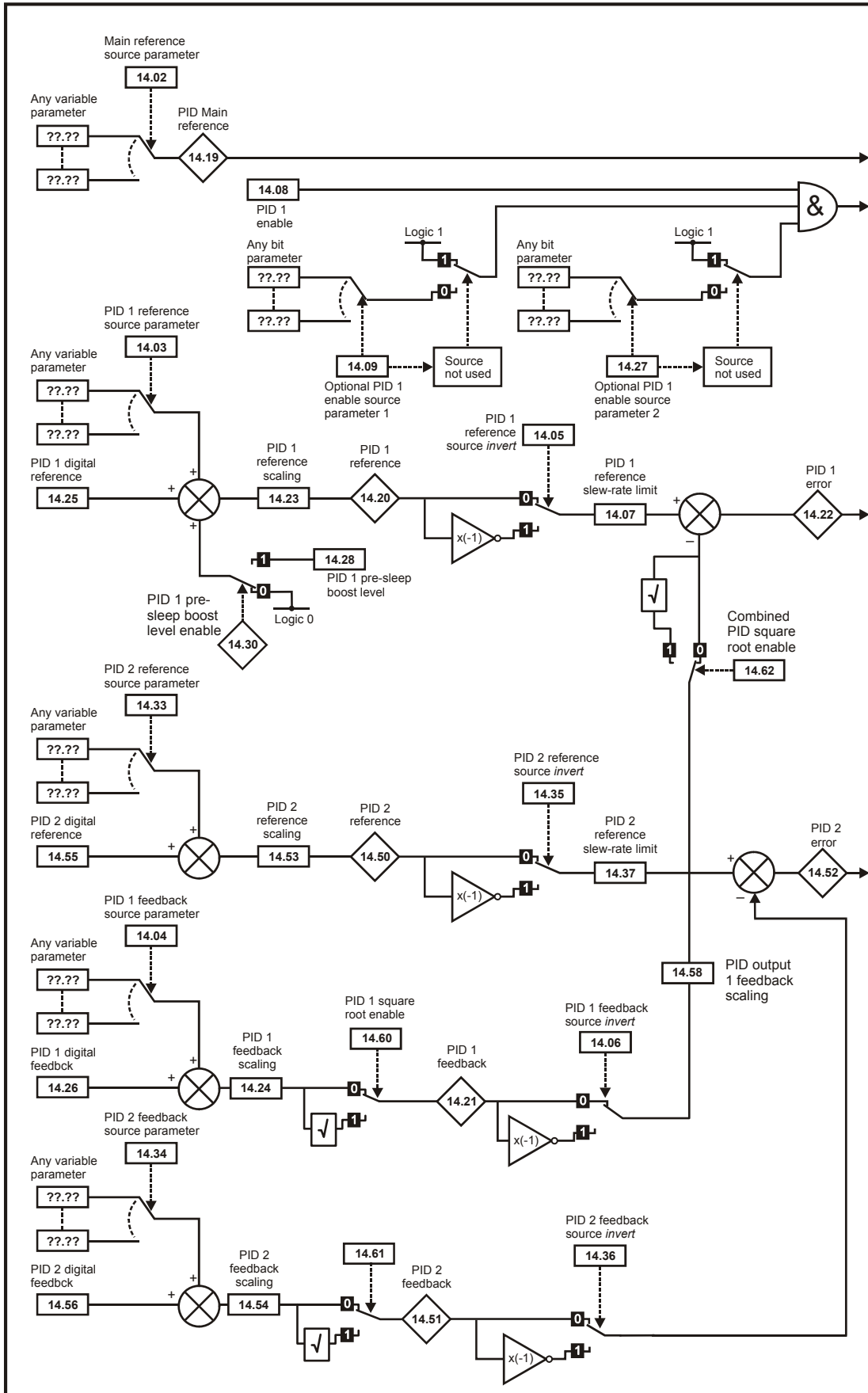
The control terminal relay can be selected as an output to release a brake. If a drive is set up in this manner and a drive replacement takes place, prior to programming the drive on initial power up, the brake may be released. When drive terminals are programmed to non default settings the result of incorrect or delayed programming must be considered. The use of a SMARTCARD in boot mode can ensure drive parameters are immediately programmed to avoid this situation.

Parameter		Range(⇅)		Default(⇔)		Type							
		OL	RFC	OL	RFC								
12.01	Threshold detector 1 output	OFF (0) or On (1)				RO	Bit		NC	PT			
12.02	Threshold detector 2 output	OFF (0) or On (1)				RO	Bit		NC	PT			
12.03	Threshold detector 1 source	Pr 1.00 to Pr 50.99		Pr 0.00		RW	Uni			PT	US		
12.04	Threshold detector 1 level	0.00 to 100.00 %		0.00		RW	Uni				US		
12.05	Threshold detector 1 hysteresis	0.00 to 25.00 %		0.00		RW	Uni				US		
12.06	Threshold detector 1 output invert	OFF (0) or On (1)		OFF (0)		RW	Bit				US		
12.07	Threshold detector 1 destination	Pr 1.00 to Pr 50.99		Pr 0.00		RW	Uni	DE		PT	US		
12.08	Variable selector 1 source 1					RW	Uni		PT	US			
12.09	Variable selector 1 source 2					RW	Uni		PT	US			
12.10	Variable selector 1 mode	Select input 1 (0), select input 2 (1), add (2), subtract (3), multiply (4), divide (5), time constant (6), linear ramp (7), modulus (8), powers (9), sectional control (10), external rectifier monitor (11)		Select input 1 (0)		RW	Uni				US		
12.11	Variable selector 1 destination	Pr 1.00 to Pr 50.99		Pr 0.00		RW	Uni	DE		PT	US		
12.12	Variable selector 1 output	±100.00 %				RO	Bi		NC	PT			
12.13	Variable selector 1 source 1 scaling	±4.000		1.000		RW	Bi				US		
12.14	Variable selector 1 source 2 scaling					RW	Bi			US			
12.15	Variable selector 1 control	0.00 to 100.00 s		0.00		RW	Uni				US		
12.23	Threshold detector 2 source	Pr 1.00 to Pr 50.99		Pr 0.00		RW	Uni			PT	US		
12.24	Threshold detector 2 level	0.00 to 100.00 %		0.00		RW	Uni				US		
12.25	Threshold detector 2 hysteresis	0.00 to 25.00 %				RW	Uni			US			
12.26	Threshold detector 2 output invert	OFF (0) or On (1)		OFF (0)		RW	Bit				US		
12.27	Threshold detector 2 destination	Pr 1.00 to Pr 50.99		Pr 0.00		RW	Uni	DE		PT	US		
12.28	Variable selector 2 source 1					RW	Uni		PT	US			
12.29	Variable selector 2 source 2					RW	Uni		PT	US			
12.30	Variable selector 2 mode	Select input 1 (0), select input 2 (1), add (2), subtract (3), multiply (4), divide (5), time constant (6), linear ramp (7), modulus (8), powers (9), sectional control (10), external rectifier monitor (11)		Select input 1 (0)		RW	Uni				US		
12.31	Variable selector 2 destination	Pr 1.00 to Pr 50.99		Pr 0.00		RW	Uni	DE		PT	US		
12.32	Variable selector 2 output	±100.00 %				RO	Bi		NC	PT			
12.33	Variable selector 2 source 1 scaling	±4.000		1.000		RW	Bi				US		
12.34	Variable selector 2 source 2 scaling					RW	Bi			US			
12.35	Variable selector 2 control	0.00 to 100.00 s		0.00		RW	Uni				US		
12.40	Brake release indicator	OFF (0) or On (1)				RO	Bit		NC	PT			
12.41	Brake controller enable	dis (0), rEL (1), d IO (2), USEr (3)		dis (0)		RW	Txt				US		
12.42	Upper current threshold	0 to 200 %		50		RW	Uni				US		
12.43	Lower current threshold	0 to 200 %		10		RW	Uni				US		
12.44	Brake release frequency	0.0 to 20.0 Hz		0 to 200 rpm		1.0					US		
12.45	Brake apply frequency / speed			2.0	5	RW	Bit			US			
12.46	OL> Pre-brake release delay	0.0 to 25.0 s		1.0		1.0					US		
	RFC> Brake apply speed delay						1.0	RW	Uni			US	
12.47	Post brake release delay					1.0		RW	Uni			US	
12.48	Brake apply delay	0.0 to 25.0 s		1.0		RW	Uni				US		



## 11.13 Menu 14: User PID controller

Figure 11-21 Menu 14 Logic diagram - single setpoint, single feedback



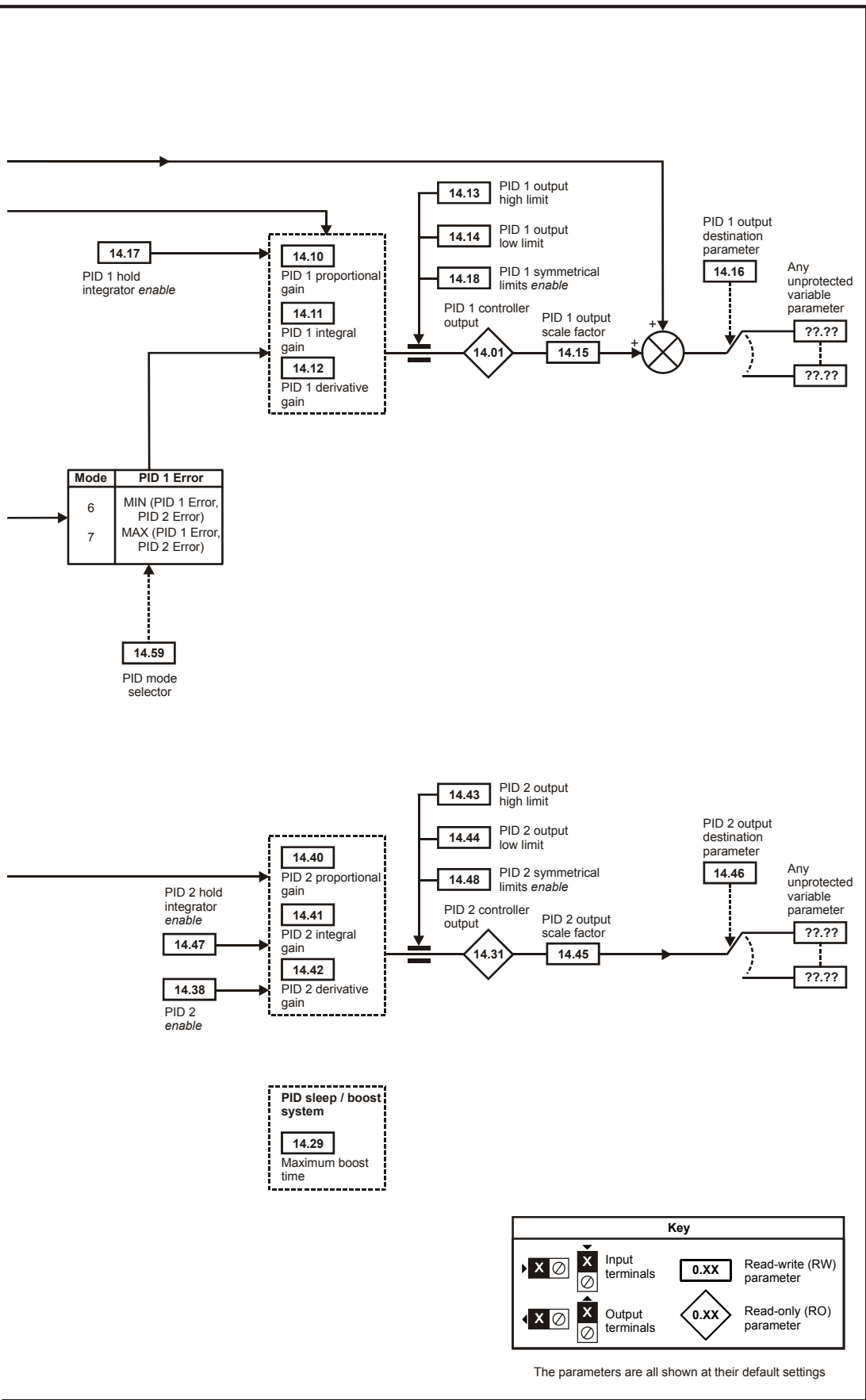
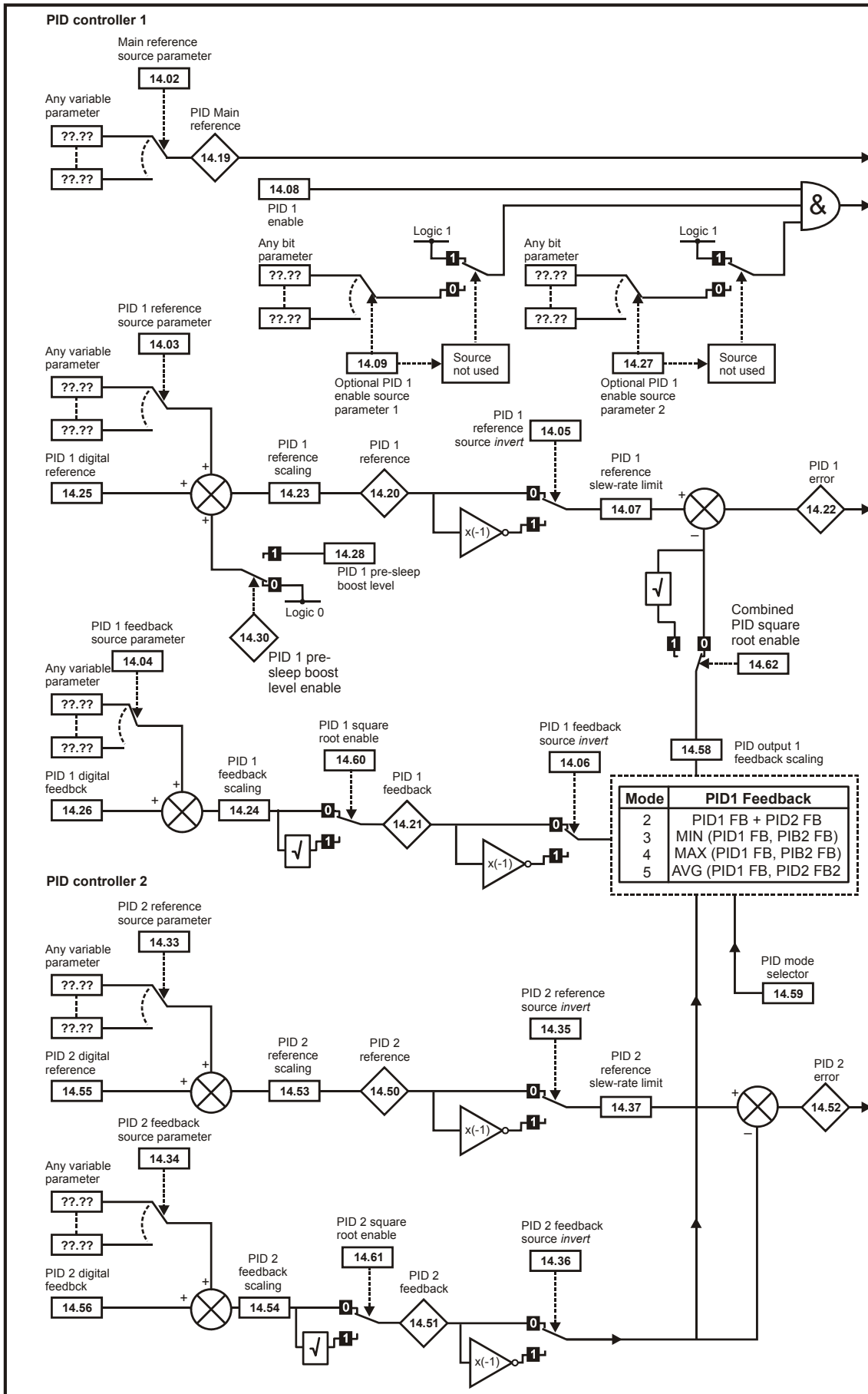
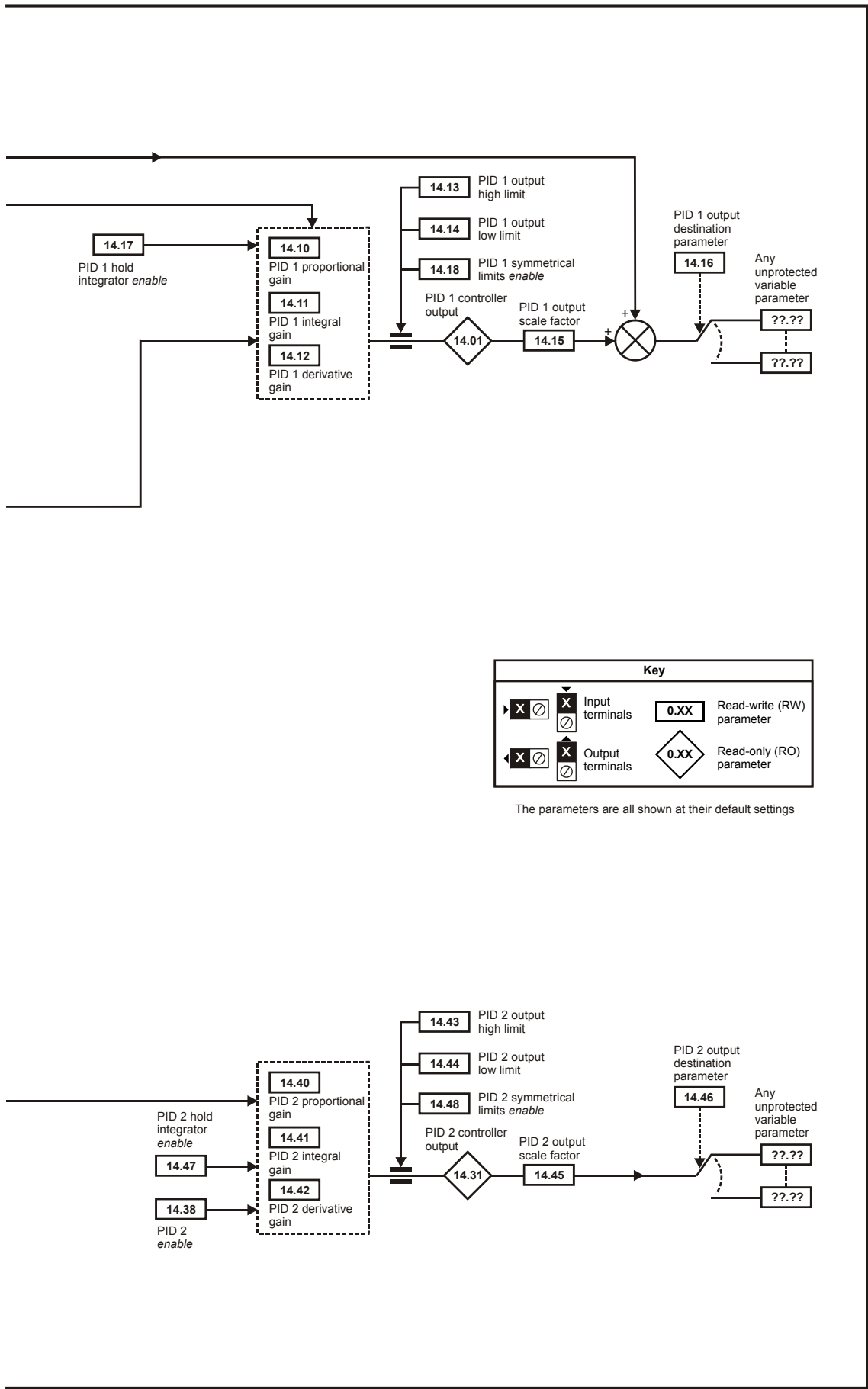


Figure 11-22 Menu 14 Logic diagram - single setpoint, dual feedback

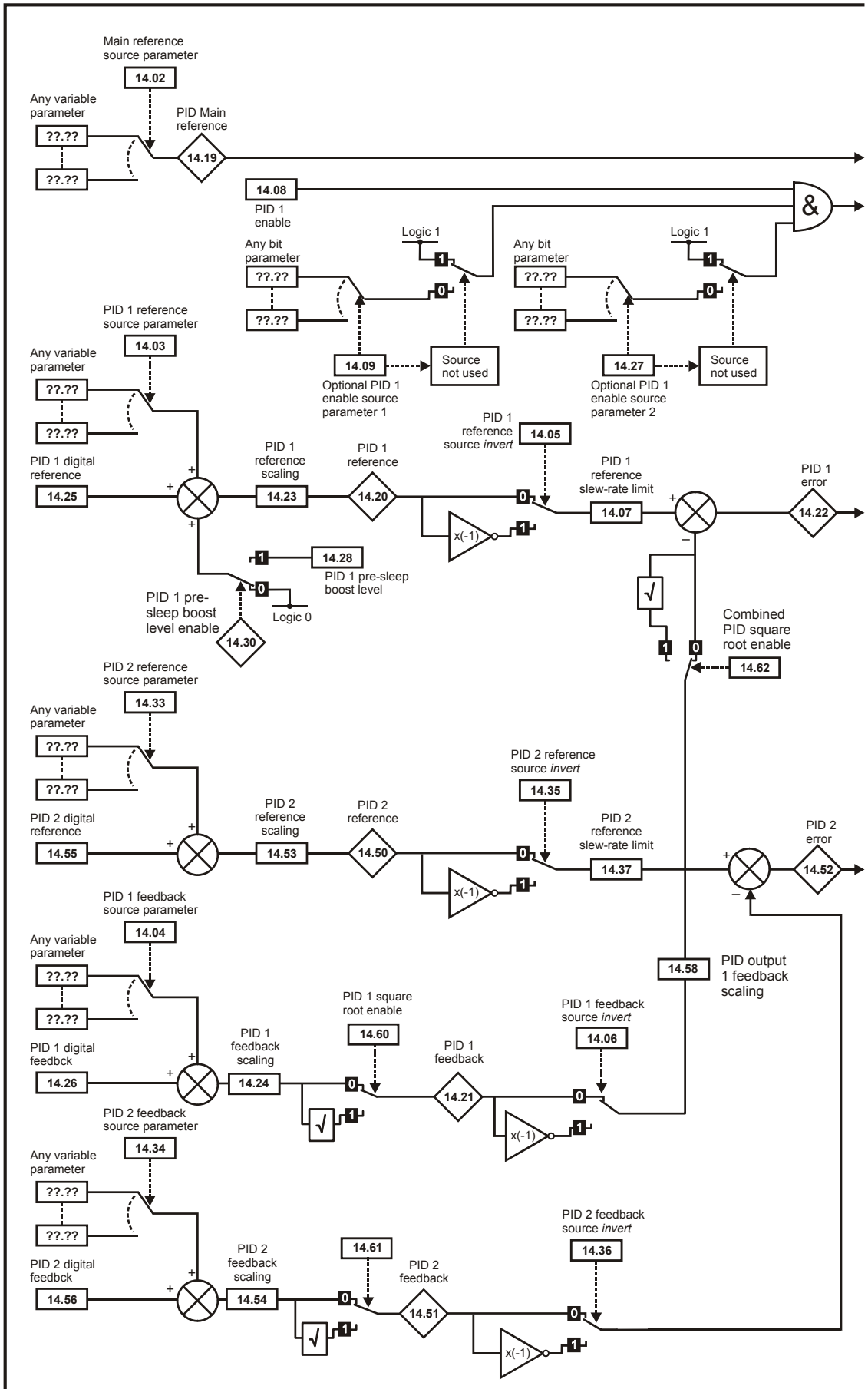




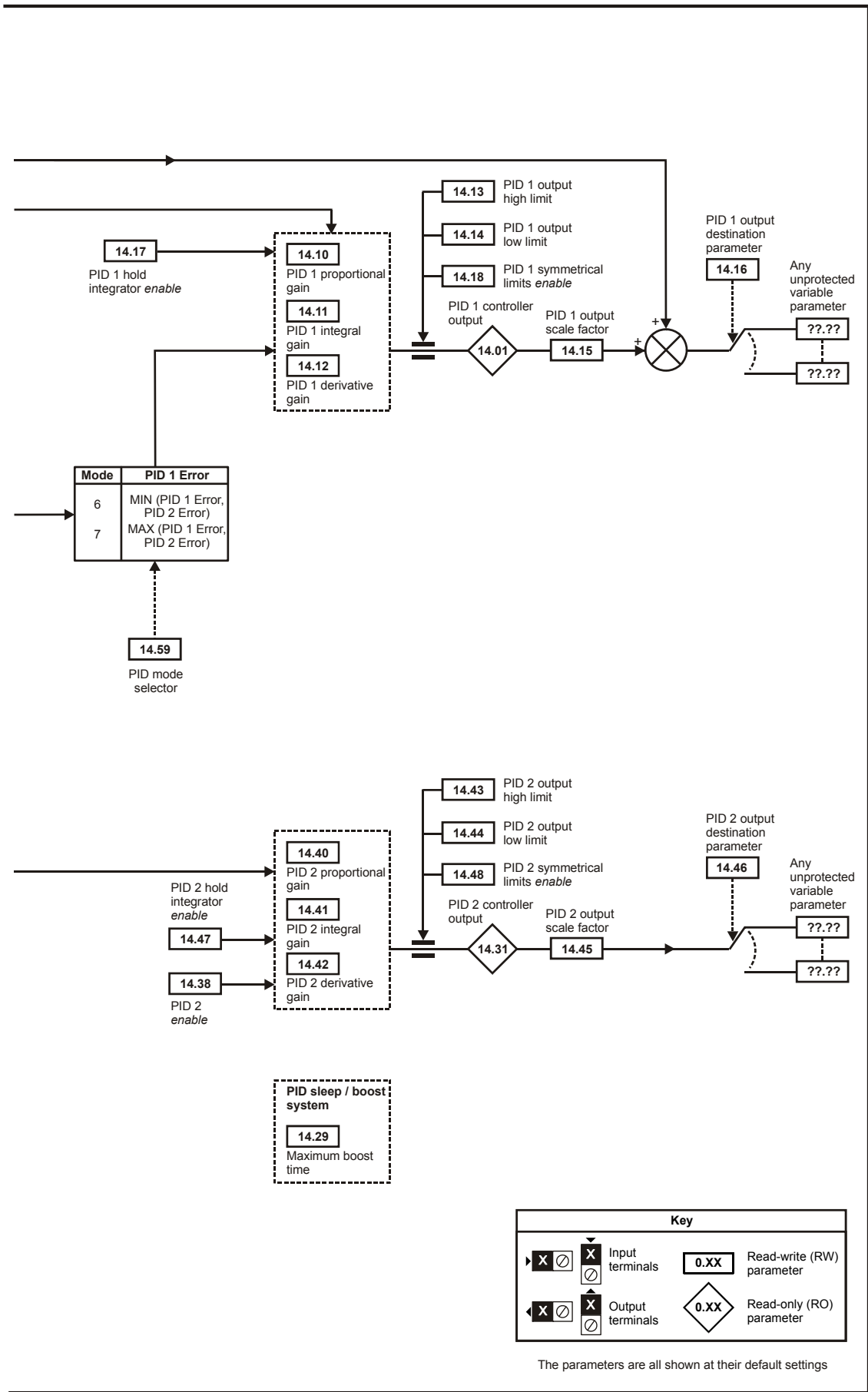
Key	
	Input terminals
	Output terminals
	Read-write (RW) parameter
	Read-only (RO) parameter

The parameters are all shown at their default settings

Figure 11-23 Menu 14 Logic diagram - dual setpoint, dual feedback





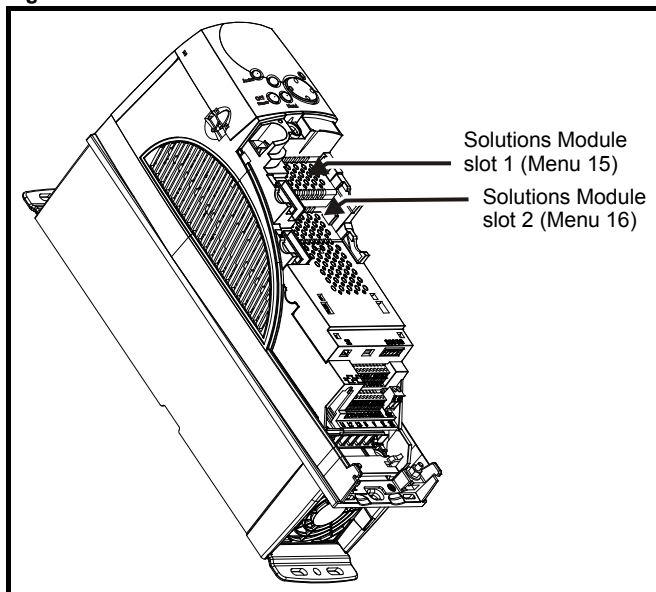


Parameter	Range(↕)		Default(↔)		Type								
	OL	RFC	OL	RFC									
14.01	PID 1 control output	±100.00 %				RO	Bi		NC	PT			
14.02	PID 1 main reference source	Pr 1.00 to Pr 50.99		Pr 0.00		RW	Uni				PT	US	
14.03	PID 1 reference source					RW	Uni			PT	US		
14.04	PID 1 feedback source					RW	Uni			PT	US		
14.05	PID 1 reference invert	OFF (0) or On (1)		OFF (0)		RW	Bit					US	
14.06	PID 1 feedback invert					RW	Bit				US		
14.07	PID 1 reference slew-rate limit	0.0 to 3,200.0 s		0.0		RW	Uni					US	
14.08	PID 1 enable	OFF (0) or On (1)		OFF (0)		RW	Bit					US	
14.09	PID 1 optional enable source	Pr 1.00 to Pr 50.99		Pr 10.01		RW	Uni				PT	US	
14.10	PID 1 proportional gain	0.000 to 4.000		1.000		RW	Uni					US	
14.11	PID 1 integral gain			0.500		RW	Uni						US
14.12	PID 1 derivative gain			0.000		RW	Uni						US
14.13	PID 1 output upper limit	0.00 to 100.00 %		100.00		RW	Uni					US	
14.14	PID 1 output lower limit	±100.00 %		-100.00		RW	Bi					US	
14.15	PID 1 output scaling	0.000 to 4.000		1.000		RW	Uni					US	
14.16	PID 1 output destination	Pr 1.00 to Pr 50.99		Pr 0.00		RW	Uni	DE			PT	US	
14.17	PID 1 hold integrator enable	OFF (0) or On (1)		OFF (0)		RW	Bit		NC			US	
14.18	PID 1 symmetrical limit enable					RW	Bit				US		
14.19	PID 1 main reference	±100.00 %				RO	Bi		NC	PT			
14.20	PID 1 reference					RO	Bi		NC	PT			
14.21	PID 1 feedback					RO	Bi		NC	PT			
14.22	PID 1 error					RO	Bi		NC	PT			
14.23	PID 1 reference scaling	0.000 to 4.000		1.000		RW	Uni					US	
14.24	PID 1 feedback scaling					RW	Uni				US		
14.25	PID 1 digital reference	±100.00 %		0.00		RW	Bi		NC				
14.26	PID 1 digital feedback					RW	Bi		NC				
14.27	PID 1 optional enable source parameter 2	0.00 to 50.99				RW	Uni				PT	US	
14.28	PID 1 pre-sleep boost level	0.00 to 100.00 %				RW	Uni					US	
14.29	Maximum boost time	0.0 to 250.0 s		0.0		RW	Uni					US	
14.30	PID 1 pre-sleep boost level enable	OFF (0) or On (1)				RO	Bit		NC	PT		US	
14.31	PID 2 output	±100.00 %				RO	Bi		NC	PT			
14.33	PID 2 reference source	Pr 0.00 to 50.99		Pr 0.00		RW	Uni				PT	US	
14.34	PID 2 feedback source					RW	Uni			PT	US		
14.35	PID 2 reference invert	OFF (0) or On (1)		OFF (0)		RW	Bit					US	
14.36	PID 2 feedback invert					RW	Bit				US		
14.37	PID 2 reference slew-rate limit	0.0 to 3,200.0 s		0.0		RW	Uni					US	
14.38	PID 2 enable	0 to 2		0		RW	Uni					US	
14.40	PID 2 proportional gain	0.000 to 4.000		1.000		RW	Uni					US	
14.41	PID 2 integral gain			0.500		RW	Uni						US
14.42	PID 2 derivative gain			0.000		RW	Uni						US
14.43	PID 2 output upper limit	0.00 to 100.00 %		100.00		RW	Uni					US	
14.44	PID 2 output lower limit	±100.00 %		-100.00		RW	Bi					US	
14.45	PID 2 output scaling	0.000 to 4.000		1.000		RW	Uni					US	
14.46	PID 2 output destination	Pr 1.00 to Pr 50.99		Pr 0.00		RW	Uni	DE			PT	US	
14.47	PID 2 hold integrator enable	OFF (0) or On (1)		OFF (0)		RW	Bit		NC			US	
14.48	PID 2 symmetrical limit enable					RW	Bit				US		
14.50	PID 2 reference	±100.00 %				RO	Bi		NC	PT			
14.51	PID 2 feedback					RO	Bi		NC	PT			
14.52	PID 2 error					RO	Bi		NC	PT			
14.53	PID 2 reference scaling					RW	Uni				US		
14.54	PID 2 feedback scaling	0.000 to 4.000		1.000		RW	Uni					US	
14.55	PID 2 digital reference					RW	Bi		NC				
14.56	PID 2 digital feedback	±100.00 %		0.00		RW	Bi		NC				
14.58	PID 1 Feedback output scaling					RW	Uni				US		
14.59	PID mode selector	0 to 7		0		RW	Uni					US	
14.60	PID 1 Square root enable	OFF (0) or On (1)		OFF (0)		RW	Bit					US	
14.61	PID 2 Square root enable					RW	Bit				US		
14.62	Combined square root enable					RW	Bit				US		

RW	Read / Write	RO	Read only	Uni	Unipolar	Bi	Bi-polar	Bit	Bit parameter	Txt	Text string		
FI	Filtered	DE	Destination	NC	Not copied	RA	Rating dependent	PT	Protected	US	User save	PS	Power down save

## 11.14 Menus 15 and 16: Solutions Module set-up

Figure 11-24 Location of Solutions Module slots and their corresponding menu numbers



### 11.14.1 Parameters common to all categories

Parameter	Range(⇅)	Default(⇄)	Type					
x.01 Solutions Module ID	0 to 599		RO	Uni			PT	US
x.02 Solutions Module software version	0.00 to 99.99		RO	Uni		NC	PT	
x.50 Solutions Module error status	0 to 255		RO	Uni		NC	PT	
x.51 Solutions Module software sub-version	0 to 99		RO	Uni		NC	PT	

The Solutions Module ID indicates the type of module that is installed in the corresponding slot.

Solutions Module ID	Module	Category
0	No module installed	
201	SM-I/O Plus	Automation (I/O Expansion)
204	SM-I/O PELV	
205	SM-I/O 24V Protected	
206	SM-I/O 120V	
207	SM-I/O Lite	
208	SM-I/O 32	
301	SM-Applications	Automation (Applications)
302	SM-Applications Lite	
304	SM-Applications Plus	
305	SM-Applications Lite V2	
401	SM-LON	Fieldbus
403	SM-PROFIBUS-DP-V1	
404	SM-INTERBUS	
406	SM-CAN	
407	SM-DeviceNet	
408	SM-CANopen	
409	SM-SERCOS	
410	SM-Ethernet	
421	SM-EtherCAT	

### Solutions Module software

Most Solutions Modules contain software. The software version of the module can be checked by looking at Pr **x.02** and Pr **x.51**.

The software version takes the form of xx.yy.zz, where Pr **x.02** displays xx.yy and Pr **x.51** displays zz. I.e. for software version 01.01.00, Pr **x.02** would display 1.01 and Pr **x.51** would display 0

SM-I/O Plus modules do not contain any software, so Pr **x.02** and Pr **x.51** do not appear.

For further information, refer to the specific Solutions Module User Guide.

### 11.14.2 Automation module category

Figure 11-25 SM-I/O Plus analog logic diagram

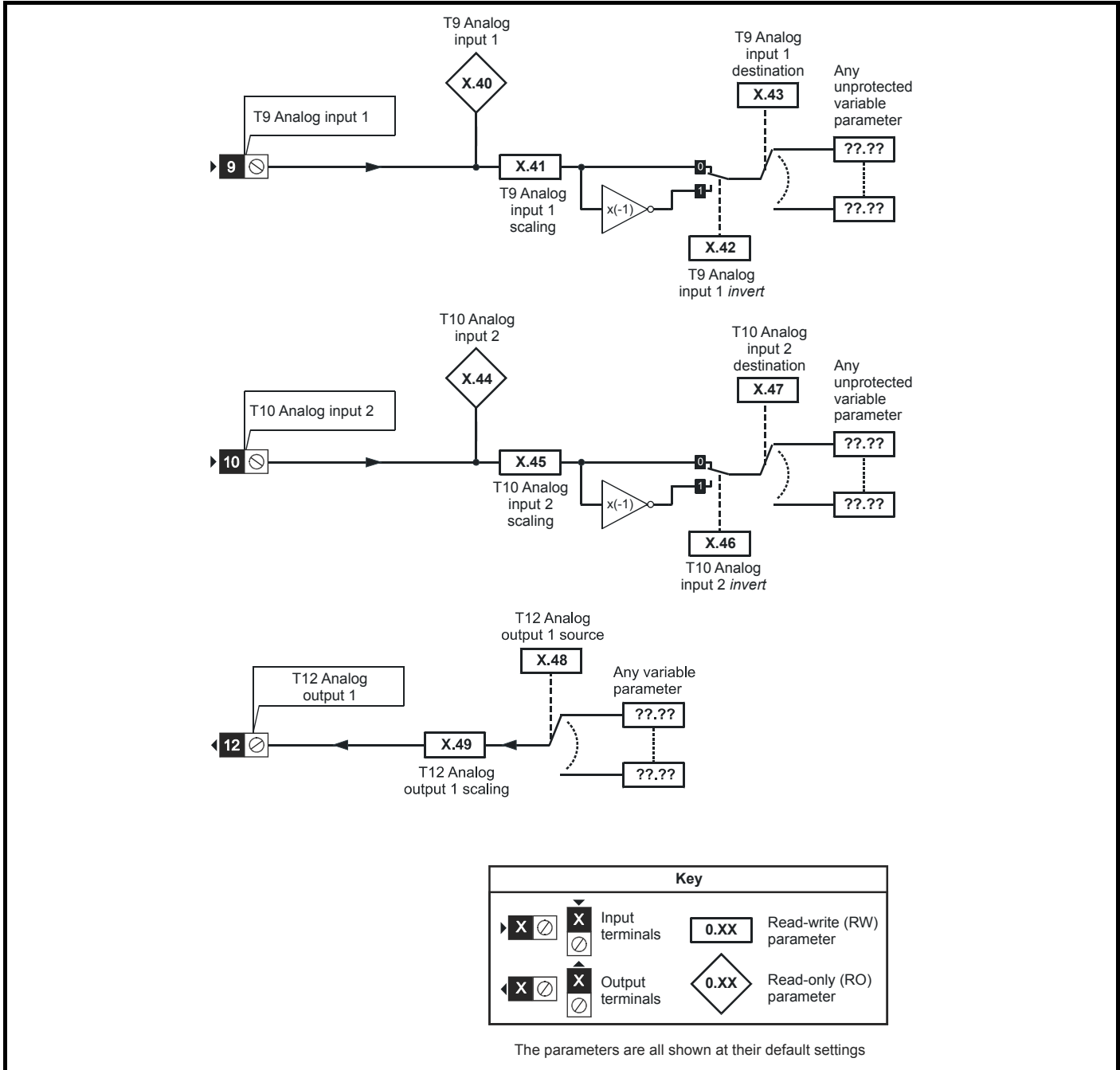


Figure 11-26 SM-I/O Plus digital logic diagram 1

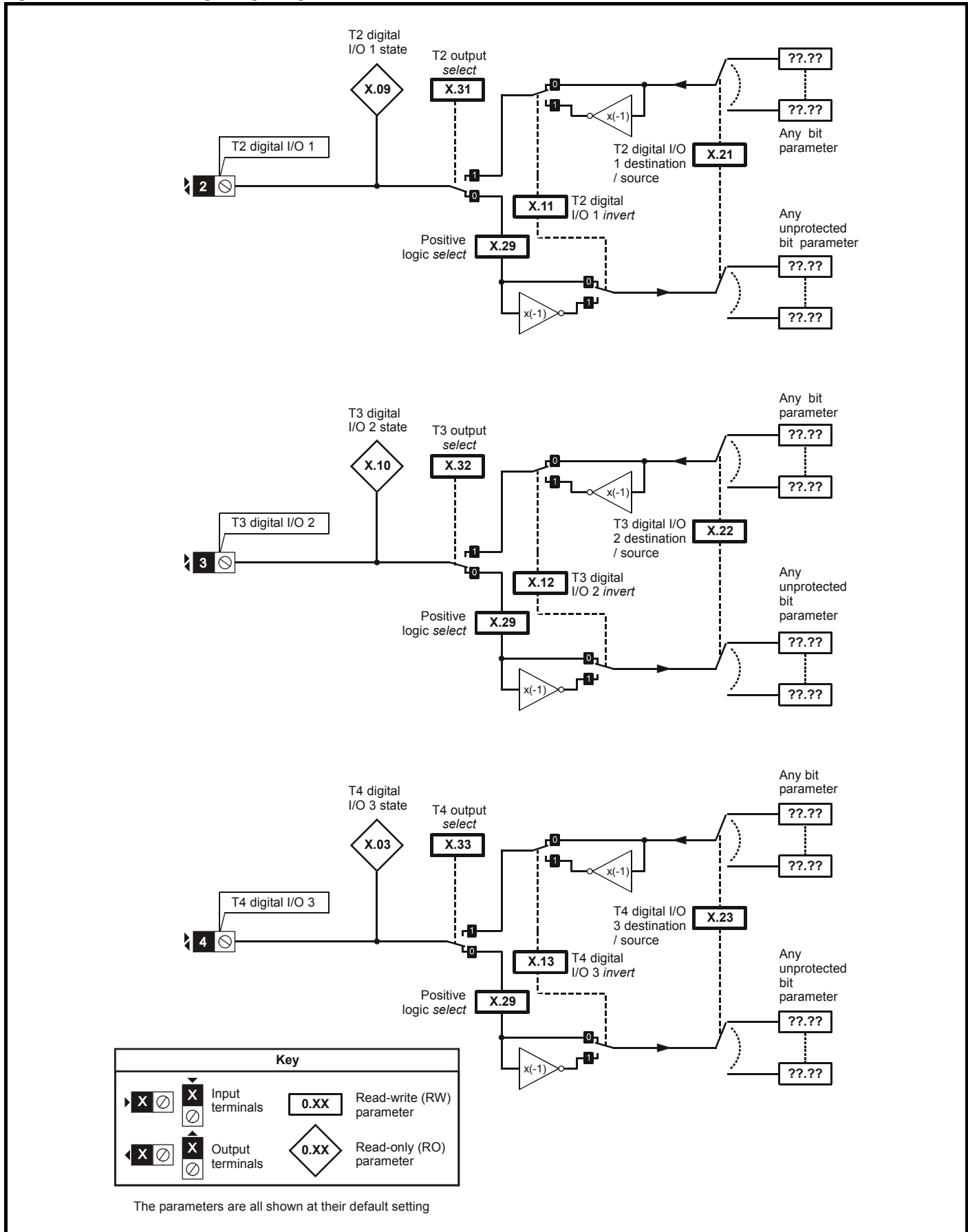
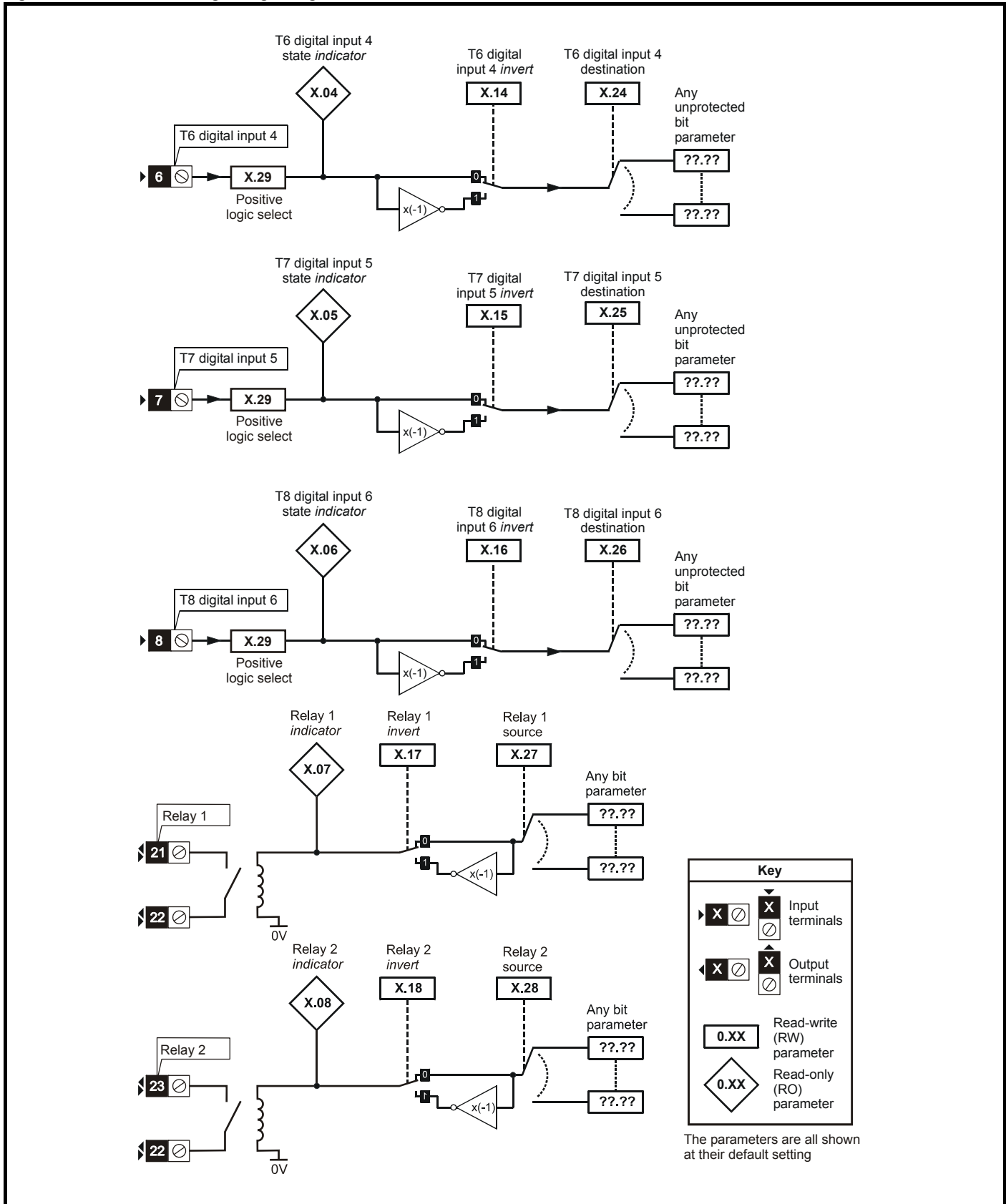


Figure 11-27 SM-I/O Plus digital logic diagram 2



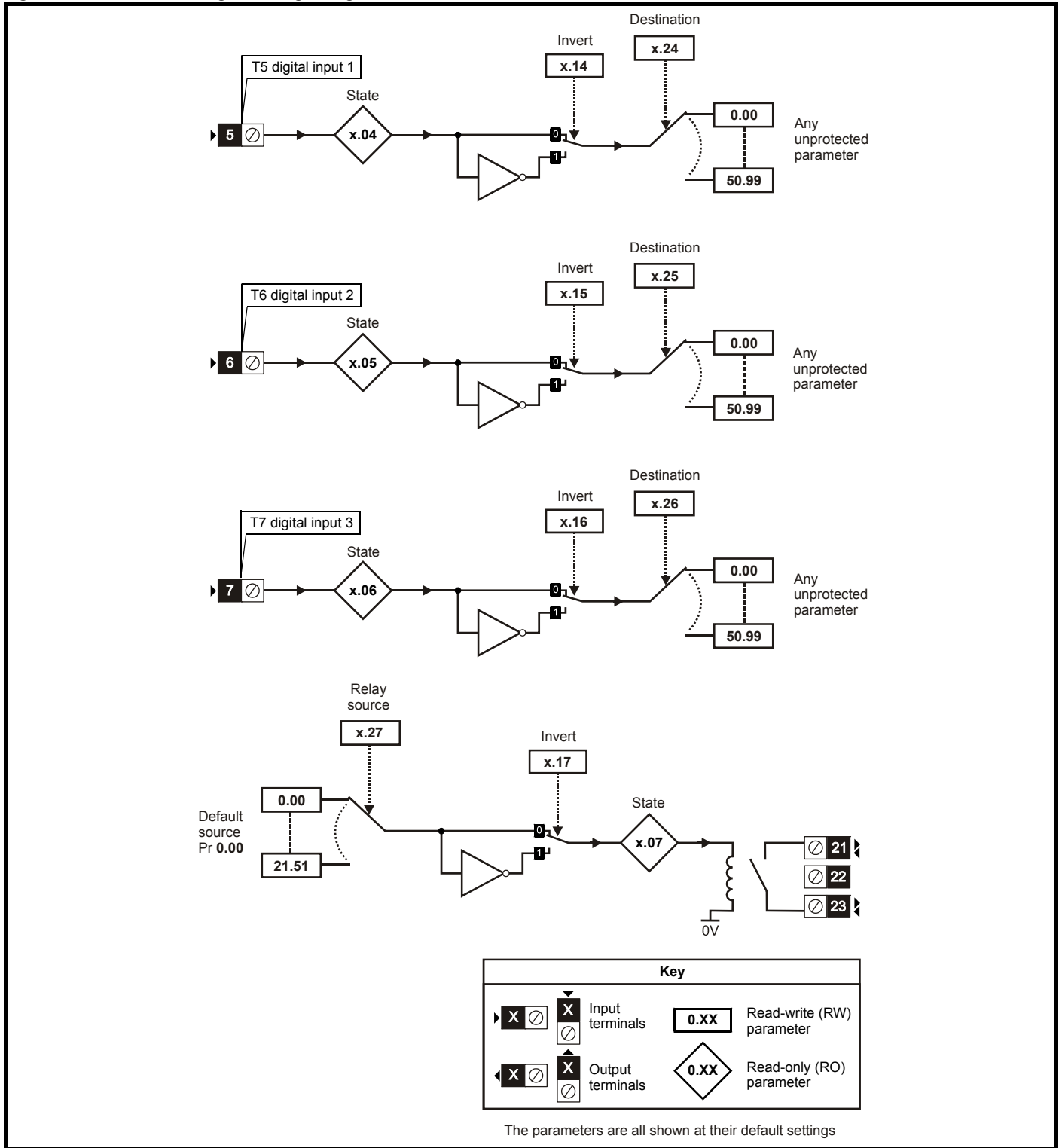
### SM-I/O Plus parameters

Parameter		Range(⇅)	Default(⇔)	Type							
x.01	Solutions Module ID	0 to 599	201	RO	Uni		PT	US			
x.03	T4 digital I/O 3 state	OFF (0) or On (1)	201	RO	Bit		NC	PT			
x.04	T6 digital input 4 state			RO	Bit		NC	PT			
x.05	T7 digital input 5 state			RO	Bit		NC	PT			
x.06	T8 digital input 6 state			RO	Bit		NC	PT			
x.07	Relay 1 state			RO	Bit		NC	PT			
x.08	Relay 2 state			RO	Bit		NC	PT			
x.09	T2 digital I/O 1 state			RO	Bit		NC	PT			
x.10	T3 digital I/O 2 state			RO	Bit		NC	PT			
x.11	T2 digital I/O 1 invert			OFF (0)	OFF (0)	RW	Bit			US	
x.12	T3 digital I/O 2 invert					RW	Bit			US	
x.13	T4 digital I/O 3 invert					RW	Bit			US	
x.14	T6 digital input 4 invert					RW	Bit			US	
x.15	T7 digital input 5 invert					RW	Bit			US	
x.16	T8 digital input 6 invert					RW	Bit			US	
x.17	Relay 1 invert					RW	Bit			US	
x.18	Relay 2 invert					RW	Bit			US	
x.20	Digital I/O read word			0 to 511		RO	Uni		NC	PT	
x.21	T2 digital I/O 1 source/ destination			Pr 0.00 to Pr 50.99	Pr 0.00	RW	Uni	DE		PT	US
x.22	T3 digital I/O 2 source/ destination	RW	Uni			DE		PT	US		
x.23	T4 digital I/O 3 source/ destination	RW	Uni			DE		PT	US		
x.24	T6 digital input 4 destination	RW	Uni			DE		PT	US		
x.25	T7 digital input 5 destination	RW	Uni			DE		PT	US		
x.26	T8 digital input 6 destination	RW	Uni			DE		PT	US		
x.27	Relay 1 source	RW	Uni					PT	US		
x.28	Relay 2 source	RW	Uni					PT	US		
x.29	Input polarity select	OFF (0) or On (1)	On (1) (positive logic)			RW	Bit			PT	US
x.31	T2 digital I/O 1 output select					OFF (0)	OFF (0)	RW	Bit		
x.32	T3 digital I/O 2 output select			RW	Bit					US	
x.33	T4 digital I/O 3 output select			RW	Bit			US			
x.40	Analog input 1	±100.0%		RO	Bi		NC	PT			
x.41	Analog input 1 scaling	0 to 4.000	1.000	RW	Uni			US			
x.42	Analog input 1 invert	OFF (0) or On (1)	OFF (0)	RW	Bit			US			
x.43	Analog input 1 destination	Pr 0.00 to Pr 50.99	Pr 0.00	RW	Uni	DE		PT	US		
x.44	Analog input 2	±100.0%		RO	Bi		NC	PT			
x.45	Analog input 2 scaling	0.000 to 4.000	1.000	RW	Uni			US			
x.46	Analog input 2 invert	OFF (0) or On (1)	OFF (0)	RW	Bit			US			
x.47	Analog input 2 destination	Pr 0.00 to Pr 50.99	Pr 0.00	RW	Uni	DE		PT	US		
x.48	Analog output 1 source			RW	Uni			PT	US		
x.49	Analog output 1 scaling	0.000 to 4.000	1.000	RW	Uni			US			
x.50	Solutions Module error status*	0 to 255		RO	Uni		NC	PT			

RW	Read / Write	RO	Read only	Uni	Unipolar	Bi	Bi-polar	Bit	Bit parameter	Txt	Text string		
FI	Filtered	DE	Destination	NC	Not copied	RA	Rating dependent	PT	Protected	US	User save	PS	Power down save

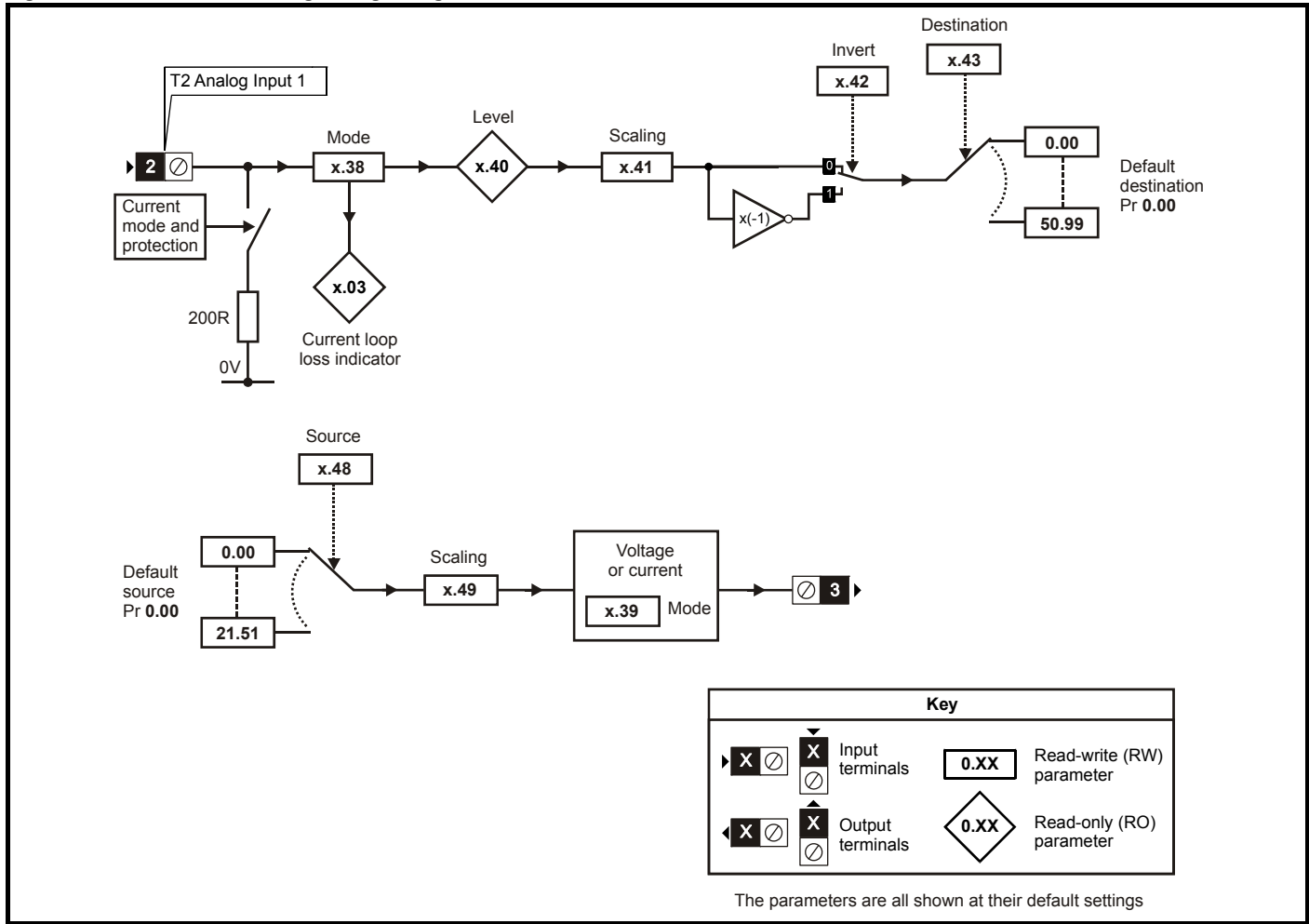
\*See trip SLX.Er, *Automation (I/O Expansion) module category* on page 251.

Figure 11-28 SM-I/O Lite digital I/O logic diagram





**Figure 11-29 SM-I/O Lite analog I/O logic diagram**



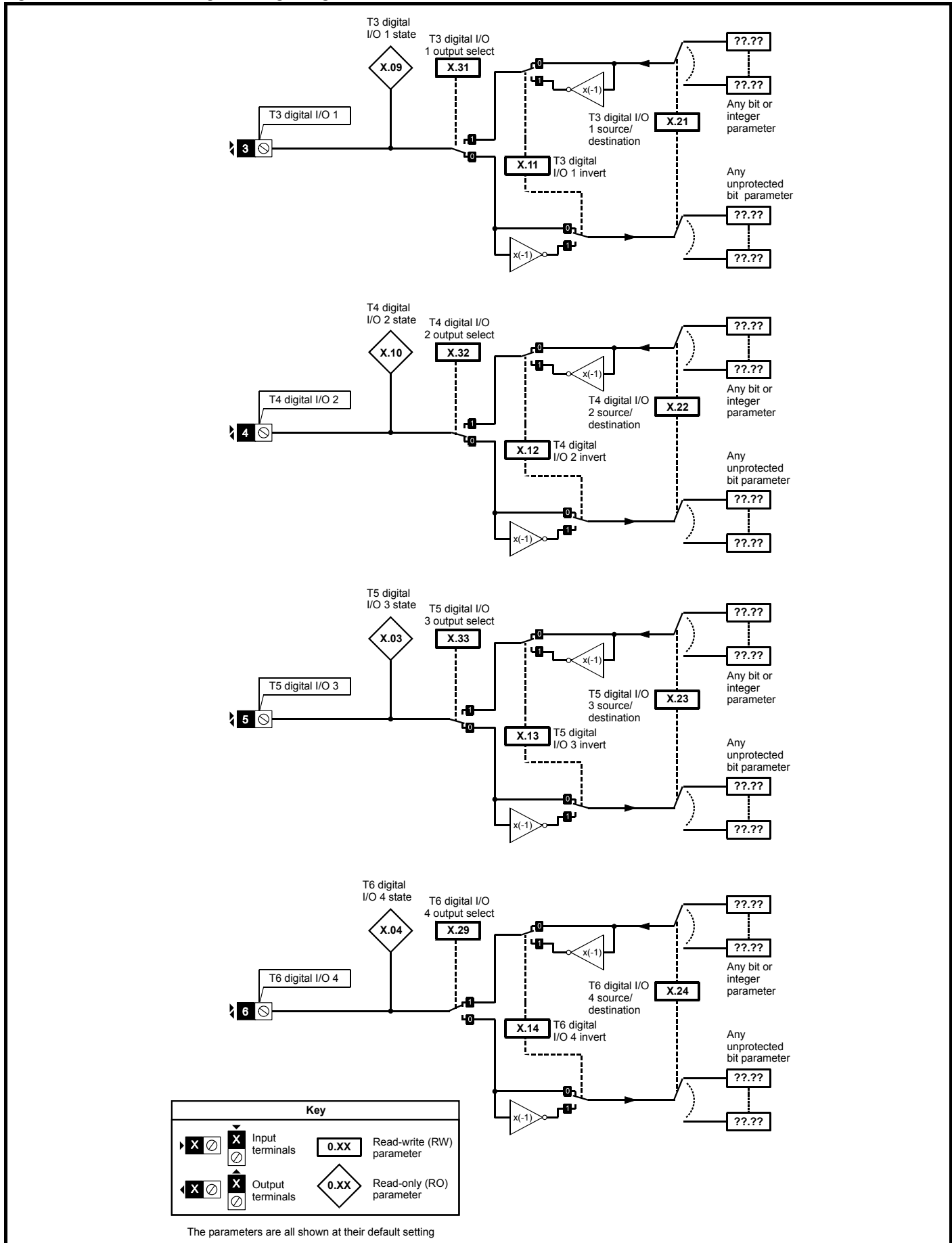
### SM-I/O Lite parameters

Parameter	Range(↕)	Default(⇒)	Type				SM-I/O				
			RO	Uni	NC	PT	US	Lite	Timer		
x.01 Solutions Module ID	0 to 599	SM-I/O Lite: 207	RO	Uni		PT	US	✓	✓		
x.02 Solutions Module software version	0.00 to 99.99		RO	Uni	NC	PT		✓	✓		
x.03 Current loop loss indicator	OFF (0) or On (1)		RO	Bit	NC	PT		✓	✓		
x.04 T5 digital input 1 state			RO	Bit	NC	PT		✓	✓		
x.05 T6 digital input 2 state			RO	Bit	NC	PT		✓	✓		
x.06 T7 digital input 3 state			RO	Bit	NC	PT		✓	✓		
x.07 Relay 1 state			RO	Bit	NC	PT		✓	✓		
x.14 T5 digital input 1 invert			OFF (0)		RW	Bit			US	✓	✓
x.15 T6 digital input 2 invert					RW	Bit			US	✓	✓
x.16 T7 digital input 3 invert	RW	Bit					US	✓	✓		
x.17 Relay 1 invert	RW	Bit					US	✓	✓		
x.20 Digital I/O read word	0 to 255		RO	Uni	NC	PT		✓	✓		
x.24 T5 digital input 1 destination	Pr 0.00 to Pr 50.99	Pr 0.00	RW	Uni	DE	PT	US	✓	✓		
x.25 T6 digital input 2 destination			RW	Uni	DE	PT	US	✓	✓		
x.26 T7 digital input 3 destination			RW	Uni	DE	PT	US	✓	✓		
x.27 Relay 1 source			RW	Uni		PT	US	✓	✓		
x.38 Analog input 1 mode	0-20 (0), 20-0 (1), 4-20.tr (2), 20-4.tr (3), 4-20 (4), 20-4 (5), VOLT(6)	0-20 (0)	RW	Txt			US	✓	✓		
x.39 Analog output mode	0-20 (0), 20-0 (1), 4-20 (2), 20-4 (3), VOLT (4)	0-20 (0)	RW	Txt			US	✓	✓		
x.40 Analog input 1	±100.0%		RO	Bi	NC	PT		✓	✓		
x.41 Analog input 1 scaling	0 to 4.000	1.000	RW	Uni			US	✓	✓		
x.42 Analog input 1 invert	OFF (0) or On (1)	OFF (0)	RW	Bit			US	✓	✓		
x.43 Analog input 1 destination	Pr 0.00 to Pr 50.99	Pr 0.00	RW	Uni	DE	PT	US	✓	✓		
x.48 Analog output 1 source			RW	Uni		PT	US	✓	✓		
x.49 Analog output 1 scaling	0.000 to 4.000	1.000	RW	Uni			US	✓	✓		
x.50 Solutions Module error status*	0 to 255		RO	Uni	NC	PT		✓	✓		
x.51 Solutions Module software sub-version	0 to 99		RO	Uni	NC	PT		✓	✓		

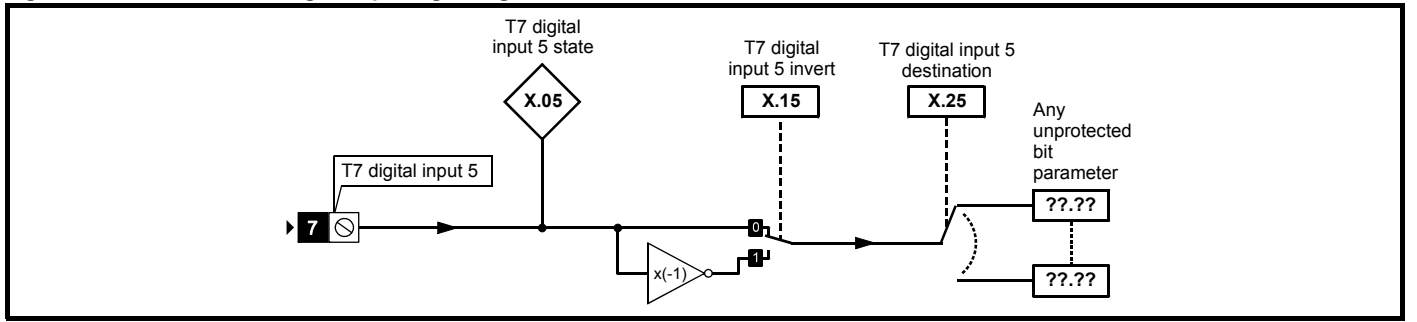
RW	Read / Write	RO	Read only	Uni	Unipolar	Bi	Bi-polar	Bit	Bit parameter	Txt	Text string		
FI	Filtered	DE	Destination	NC	Not copied	RA	Rating dependent	PT	Protected	US	User save	PS	Power down save

\*See trip SLX.Er, Automation (I/O Expansion) module category on page 251.

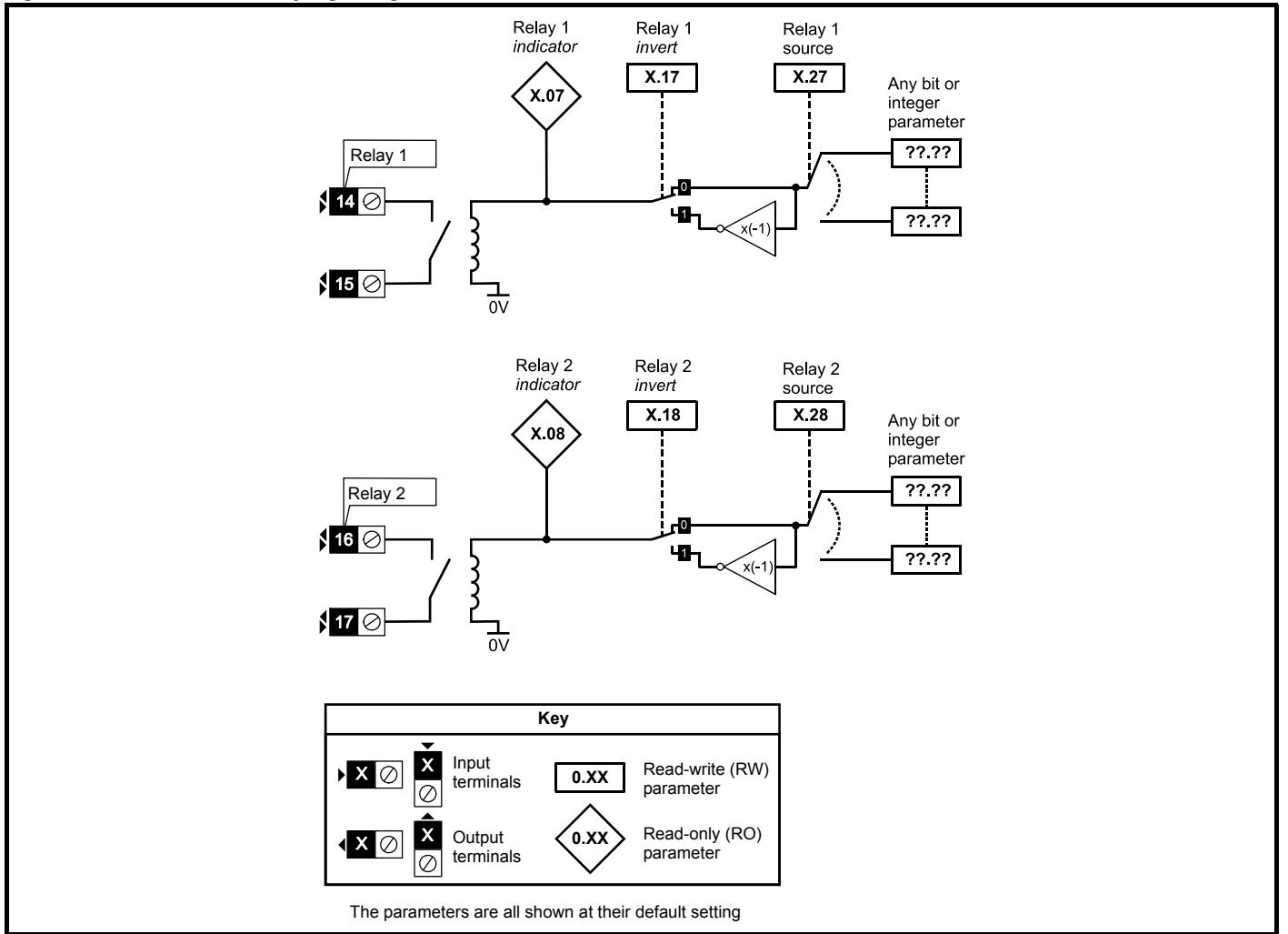
Figure 11-30 SM-I/O PELV digital I/O logic diagram



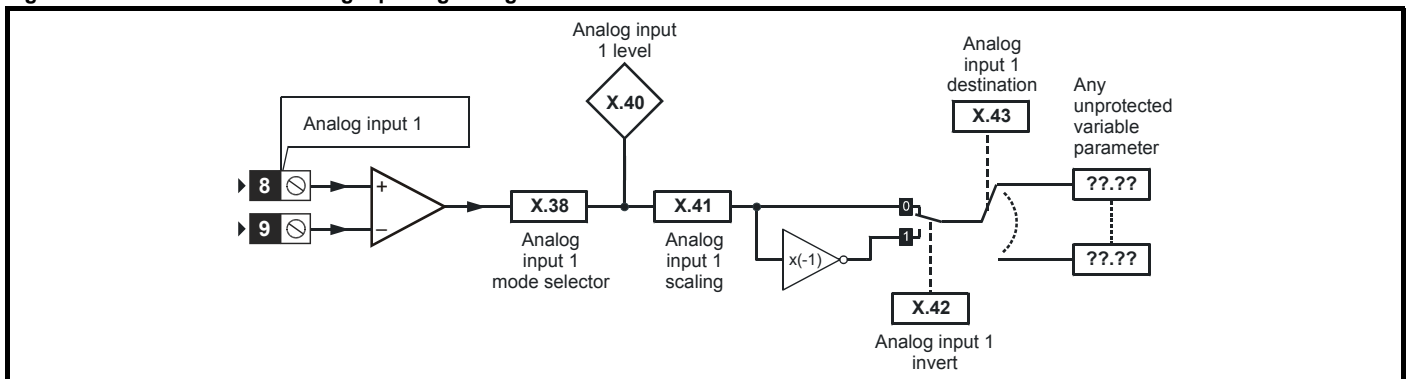
**Figure 11-31 SM-I/O PELV digital input logic diagram**



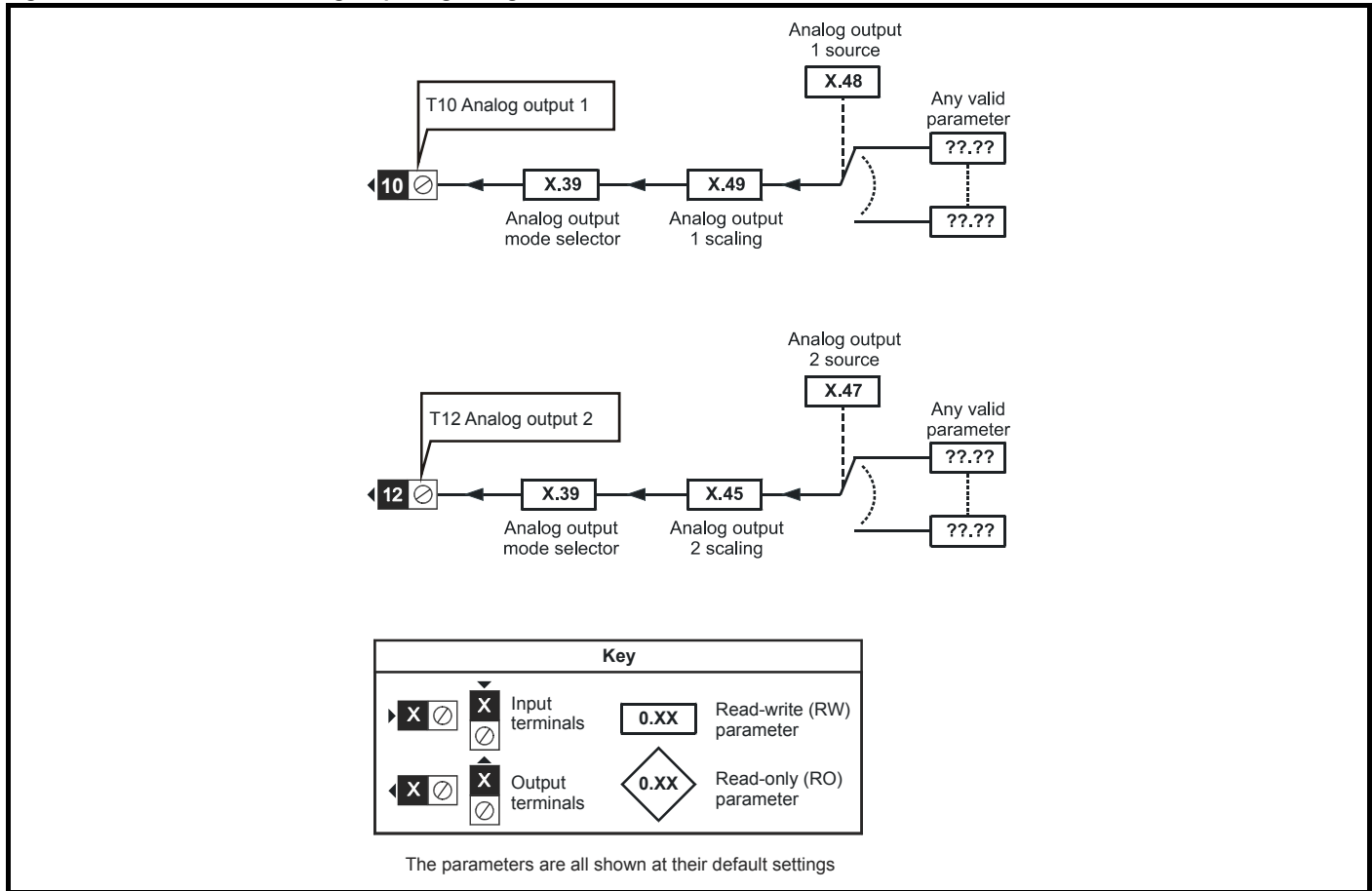
**Figure 11-32 SM-I/O PELV relay logic diagram**



**Figure 11-33 SM-I/O PELV analog input logic diagram**



**Figure 11-34 SM-I/O PELV analog output logic diagram**



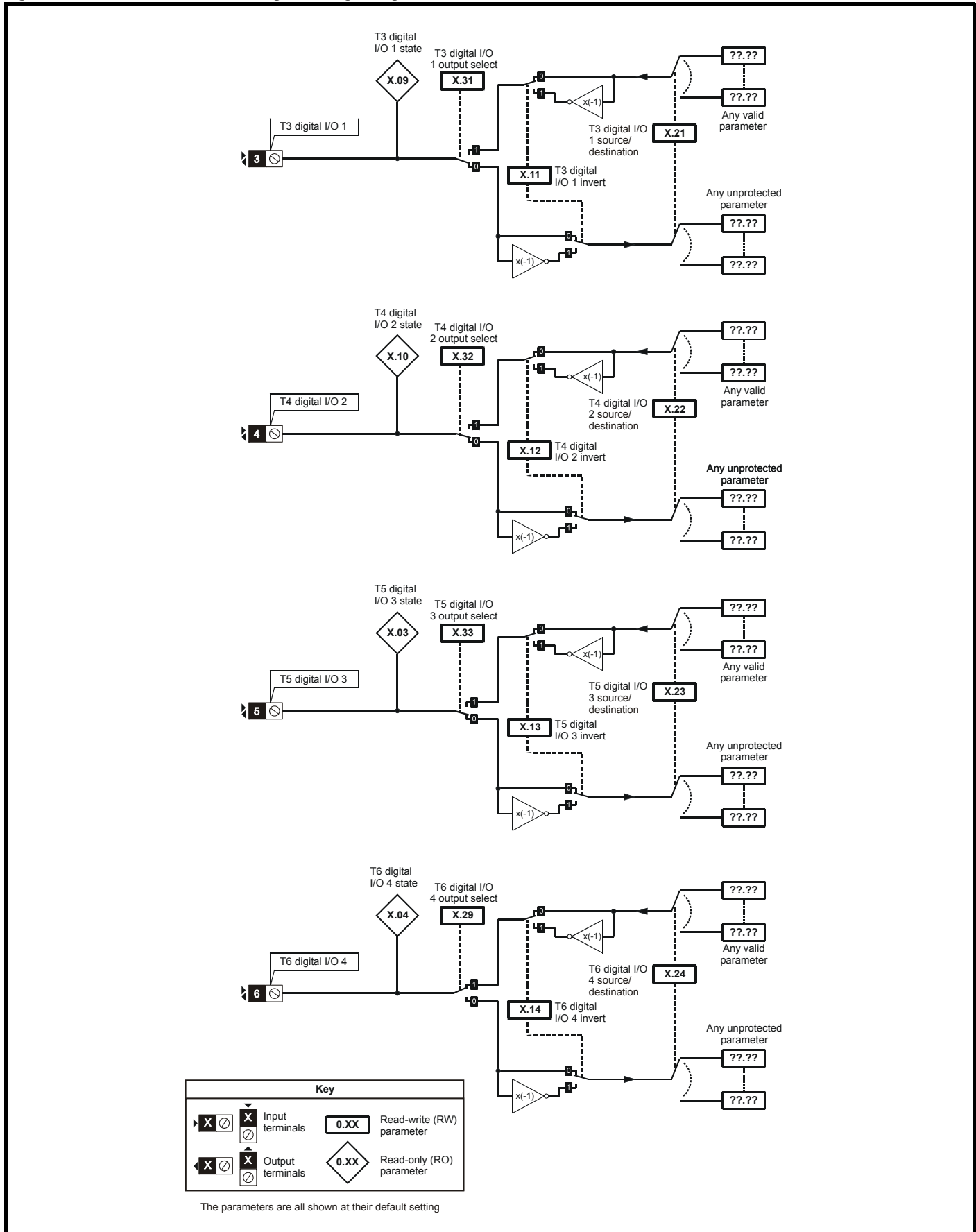
### SM-I/O PELV parameters

Parameter		Range(⇅)	Default(⇨)	Type				
x.01	Solutions Module ID	0 to 599	204	RO	Uni		PT	US
x.02	Solutions Module software version	0.00 to 99.99		RO	Uni	NC	PT	
x.03	T5 digital I/O 3 state	OFF (0) or On (1)	OFF (0)	RO	Bit	NC	PT	
x.04	T6 digital I/O 4 state			RO	Bit	NC	PT	
x.05	T7 digital input 5 state			RO	Bit	NC	PT	
x.07	Relay 1 state			RO	Bit	NC	PT	
x.08	Relay 2 state			RO	Bit	NC	PT	
x.09	T3 digital I/O 1 state			RO	Bit	NC	PT	
x.10	T4 digital I/O 2 state			RO	Bit	NC	PT	
x.11	T3 digital I/O 1 invert			RW	Bit			US
x.12	T4 digital I/O 2 invert			RW	Bit			US
x.13	T5 digital I/O 3 invert			RW	Bit			US
x.14	T6 digital I/O 4 invert			RW	Bit			US
x.15	T7 digital input 5 invert			RW	Bit			US
x.16	Disable PELV User power supply absent trip			RW	Bit			US
x.17	Relay 1 invert			RW	Bit			US
x.18	Relay 2 invert			RW	Bit			US
x.19	Freeze flag	RW	Bit			US		
x.20	Digital I/O read word	0 to 255		RO	Uni	NC	PT	
x.21	T3 digital I/O 1 source/destination	Pr 0.00 to Pr 50.99	Pr 0.00	RW	Uni	DE	PT	US
x.22	T4 digital I/O 2 source/destination			RW	Uni	DE	PT	US
x.23	T5 digital I/O 3 source/destination			RW	Uni	DE	PT	US
x.24	T6 digital I/O 4 source/destination			RW	Uni	DE	PT	US
x.25	T7 digital input 5 destination			RW	Uni	DE	PT	US
x.27	Relay 1 source			RW	Uni		PT	US
x.28	Relay 2 source			RW	Uni		PT	US
x.29	T6 digital I/O 4 output select	OFF (0) or On (1)	OFF (0)	RW	Bit			US
x.31	T3 digital I/O 1 output select			RW	Bit			US
x.32	T4 digital I/O 2 output select			RW	Bit			US
x.33	T5 digital I/O 3 output select			RW	Bit			US
x.38	Analog input 1 mode	0-20 (0), 20-0 (1), 4-20.tr (2), 20-4.tr (3), 4-20 (4), 20-4 (5)	0-20 (0)	RW	Txt			US
x.39	Analog output mode	0-20 (0), 20-0 (1), 4-20 (2), 20-4 (3)	0-20 (0)	RW	Txt			US
x.40	Analog input 1 level	0.0 to 100.0%		RO	Bi	NC	PT	
x.41	Analog input 1 scaling	0.000 to 4.000	1.000	RW	Uni			US
x.42	Analog input 1 invert	OFF (0) or On (1)	OFF (0)	RW	Bit			US
x.43	Analog input 1 destination	Pr 0.00 to Pr 50.99	Pr 0.00	RW	Uni	DE	PT	US
x.45	Analog output 2 scaling	0.000 to 4.000	1.000	RW	Uni			US
x.47	Analog output 2 source	Pr 0.00 to Pr 50.99	Pr 0.00	RW	Uni		PT	US
x.48	Analog output 1 source			RW	Uni		PT	US
x.49	Analog output 1 scaling	0.000 to 4.000	1.000	RW	Uni			US
x.50	Solutions Module error status*	0 to 255		RO	Uni	NC	PT	
x.51	Solutions Module software sub-version	0 to 99		RO	Uni	NC	PT	

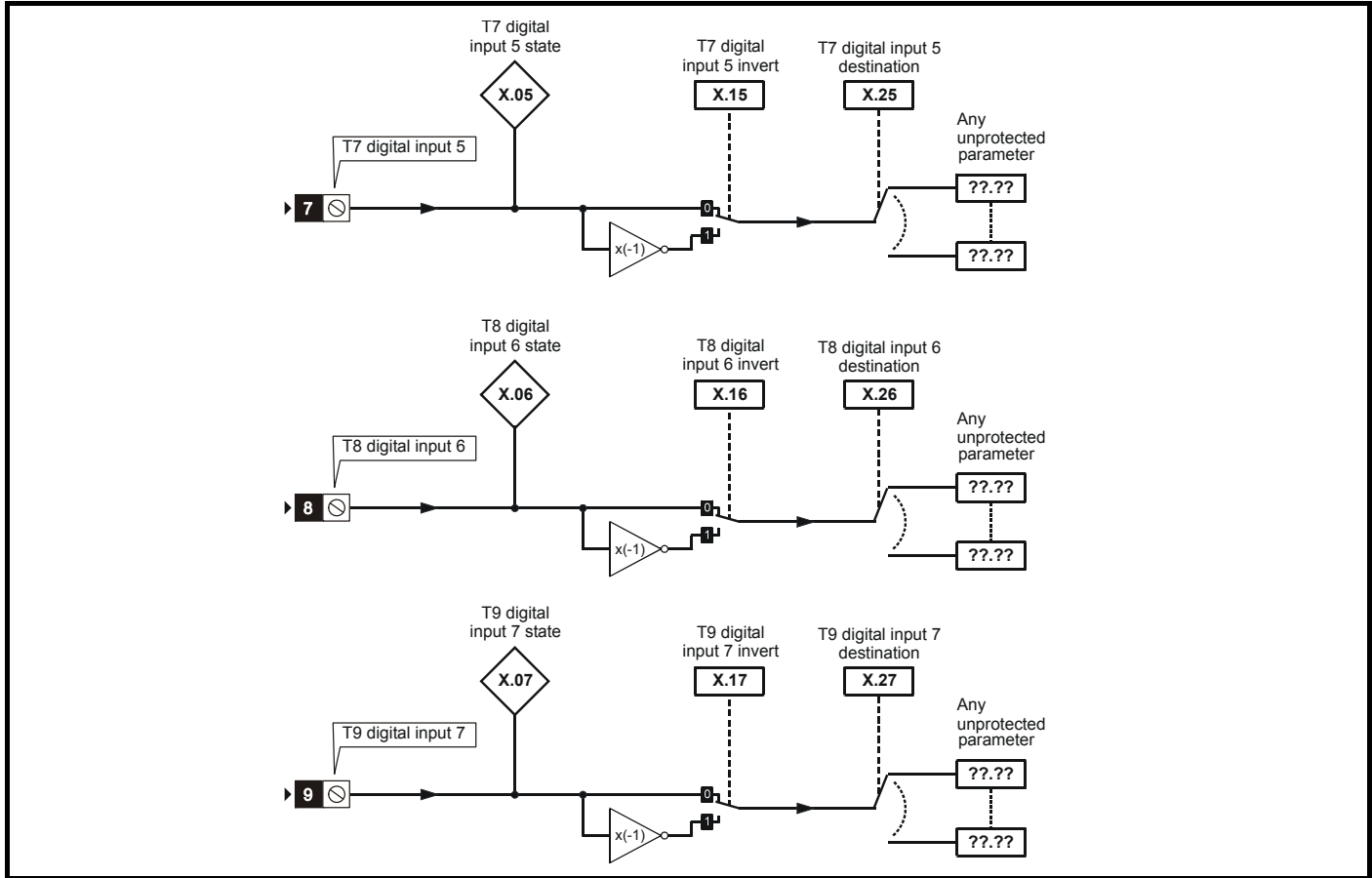
RW	Read / Write	RO	Read only	Uni	Unipolar	Bi	Bi-polar	Bit	Bit parameter	Txt	Text string		
FI	Filtered	DE	Destination	NC	Not copied	RA	Rating dependent	PT	Protected	US	User save	PS	Power down save

\*See trip SLX.Er, *Automation (I/O Expansion) module category* on page 251.

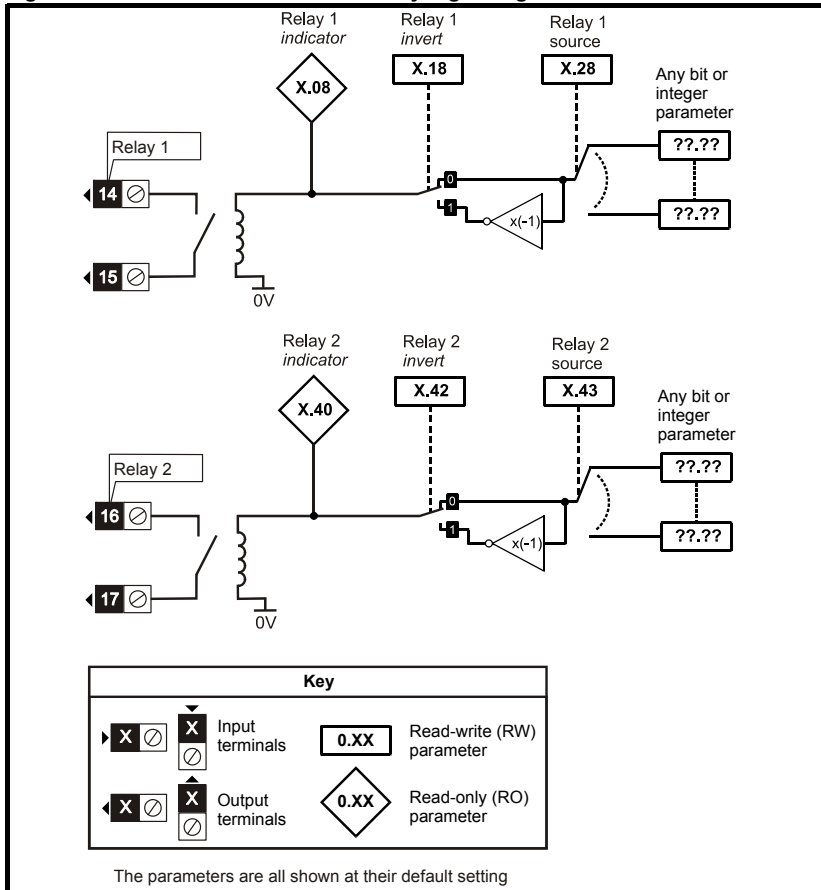
**Figure 11-35 SM-I/O 24V Protected digital I/O logic diagram**



**Figure 11-36 SM-I/O 24V Protected digital I/O logic diagram**

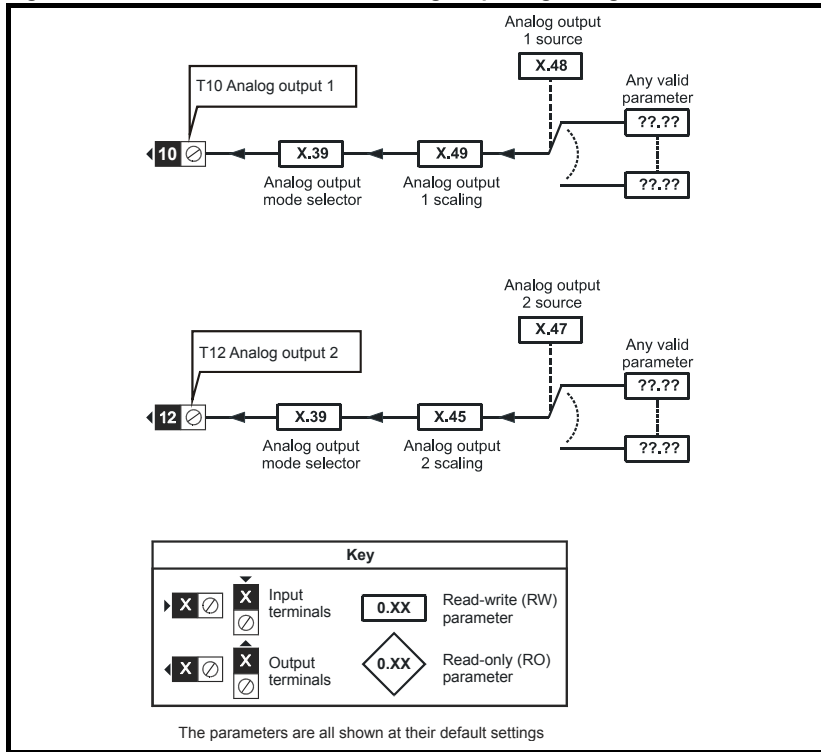


**Figure 11-37 SM-I/O 24V Protected relay logic diagram**





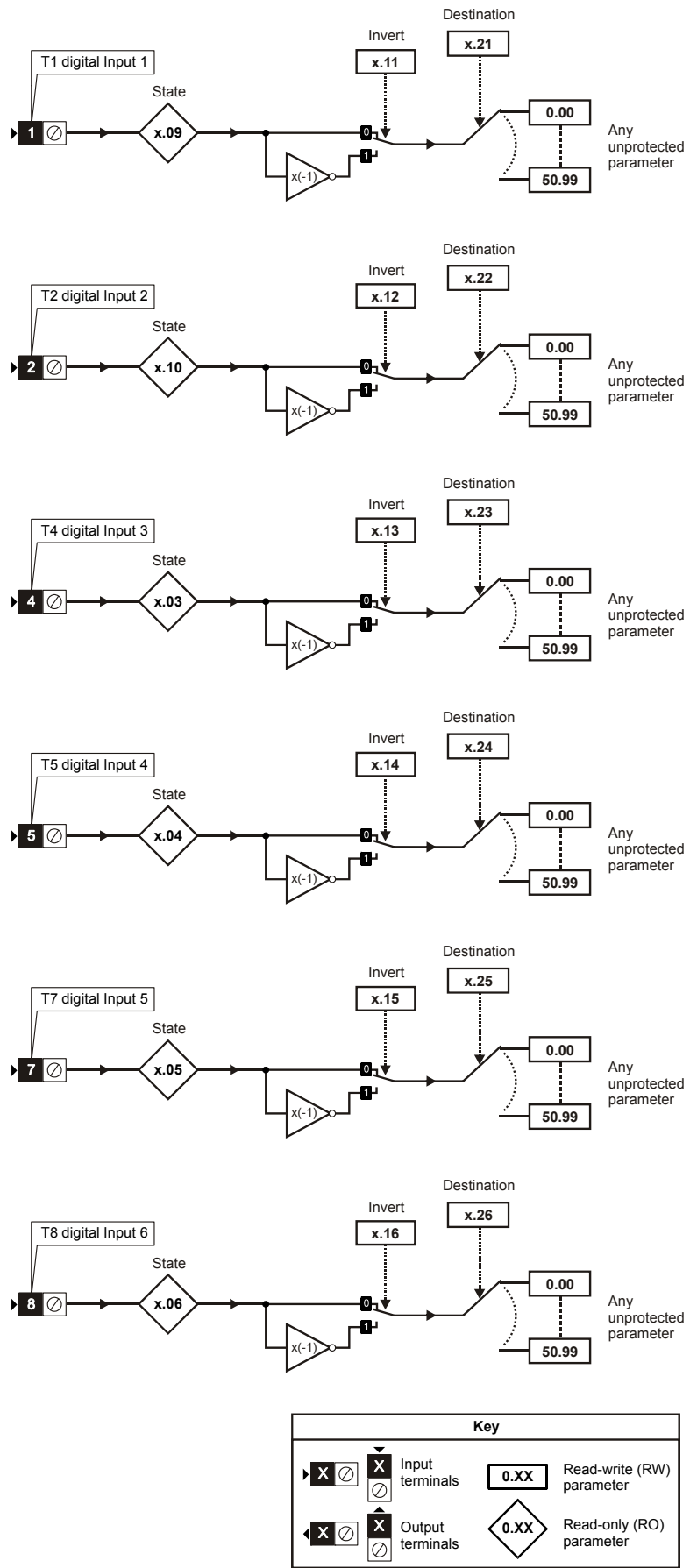
**Figure 11-38 SM-I/O 24V Protected analog output logic diagram**



**SM-I/O 24V Protected parameters**

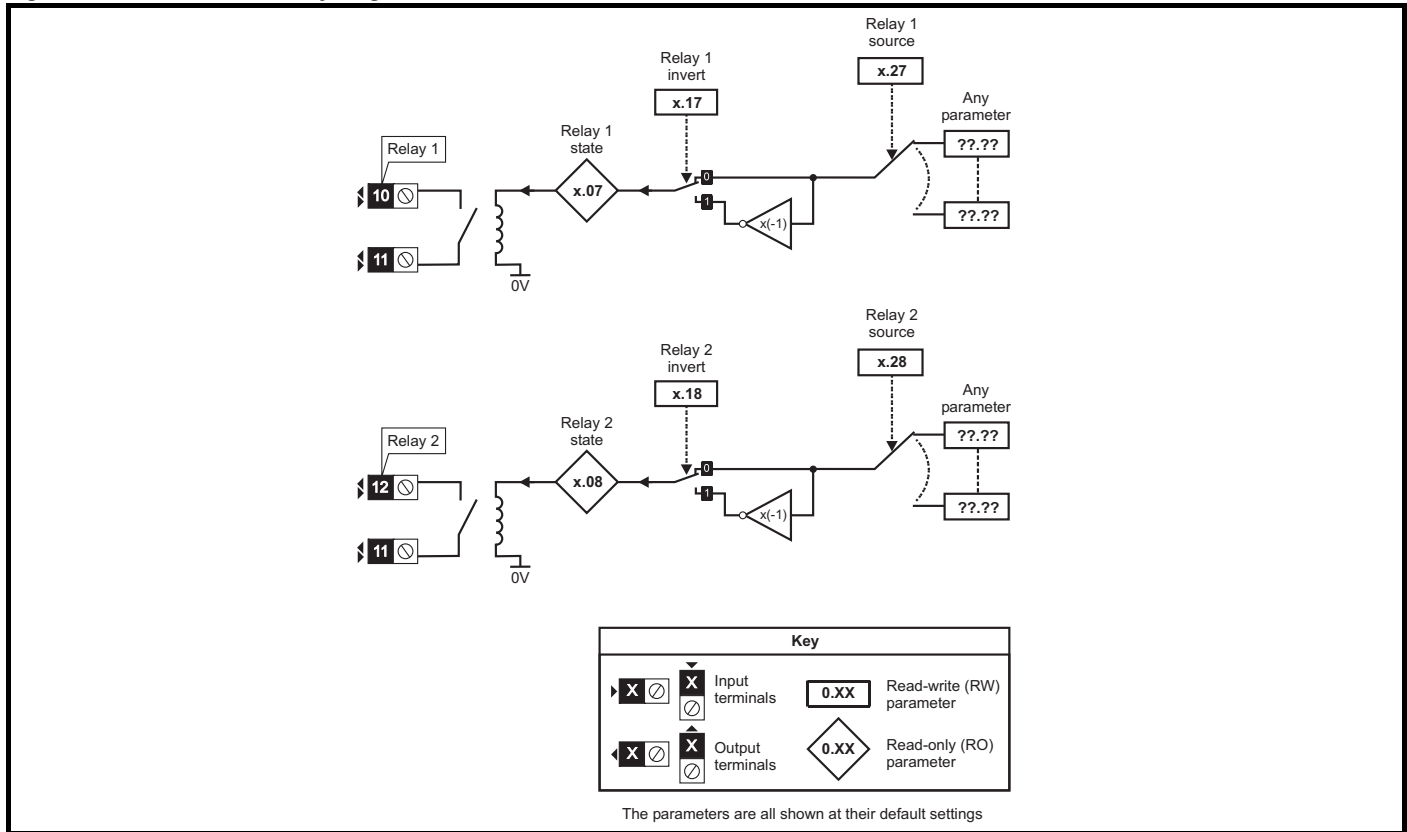
Parameter	Range(⇅)	Default(⇔)	Type				
x.01 Solutions Module ID	0 to 599	205	RO	Uni		PT	US
x.02 Solutions Module Main Software Version	0.00 to 99.99		RO	Uni		NC	PT
x.03 T5 digital I/O 3 state	OFF (0) or On (1)	OFF (0)	RO	Bit		NC	PT
x.04 T6 digital I/O 4 state			RO	Bit		NC	PT
x.05 T7 digital input 5 state			RO	Bit		NC	PT
x.06 T8 digital input 6 state			RO	Bit		NC	PT
x.07 T9 digital input 7 state			RO	Bit		NC	PT
x.08 Relay 1 state			RO	Bit		NC	PT
x.09 T3 digital I/O 1 state			RO	Bit		NC	PT
x.10 T4 digital I/O 2 state			RO	Bit		NC	PT
x.11 T3 digital I/O 1 invert			RW	Bit			US
x.12 T4 digital I/O 2 invert			RW	Bit			US
x.13 T5 digital I/O 3 invert			RW	Bit			US
x.14 T6 digital I/O 4 invert			RW	Bit			US
x.15 T7 digital input 5 invert			RW	Bit			US
x.16 T8 digital input 6 invert			RW	Bit			US
x.17 T9 digital input 7 invert			RW	Bit			US
x.18 Relay 1 invert			RW	Bit			US
x.20 Digital I/O read word			0 to 255		RO	Uni	
x.21 T3 digital I/O 1 source/destination	Pr 0.00 to Pr 50.99	Pr 0.00	RW	Uni	DE		US
x.22 T4 digital I/O 2 source/destination			RW	Uni	DE		US
x.23 T5 digital I/O 3 source/destination			RW	Uni	DE		US
x.24 T6 digital I/O 4 source/destination			RW	Uni	DE		US
x.25 T7 digital input 5 destination			RW	Uni	DE		US
x.26 T8 digital input 6 destination			RW	Uni	DE		US
x.27 T9 digital input 7 destination			RW	Uni	DE		US
x.28 Relay 1 source			RW	Uni			US
x.29 T6 digital I/O 4 output select	OFF (0) or On (1)	OFF (0)	RW	Bit			US
x.31 T3 digital I/O 1 output select			RW	Bit			US
x.32 T4 digital I/O 2 output select			RW	Bit			US
x.33 T5 digital I/O 3 output select			RW	Bit			US
x.39 Analog output mode	0-20, 20-0, 4-20, 20-4	0-20	RW	Uni			US
x.40 Relay 2 state	0.0 or 100.0 %		RO	Bit		NC	PT
x.42 Relay 2 invert	OFF (0) or On (1)	OFF (0)	RW	Bit			US
x.43 Relay 2 source	Pr 0.00 to Pr 50.99	Pr 0.00	RW	Uni			US
x.45 Analog output 2 scaling	0.000 to 4.000	1.000	RW	Uni			US
x.47 Analog output 2 source	Pr 0.00 to Pr 50.99	Pr 0.00	RW	Uni			US
x.48 Analog output 1 source			RW	Uni			US
x.49 Analog output 1 scaling	0.000 to 4.000	1.000	RW	Uni			US
x.50 Solutions Module error status	0 to 255		RO	Uni		NC	PT
x.51 Solutions Module software sub-version	0 to 99		RO	Uni		NC	PT

**Figure 11-39 SM-I/O 120V digital input logic diagram**



The parameters are all shown at their default settings

Figure 11-40 SM-I/O 120V relay diagram



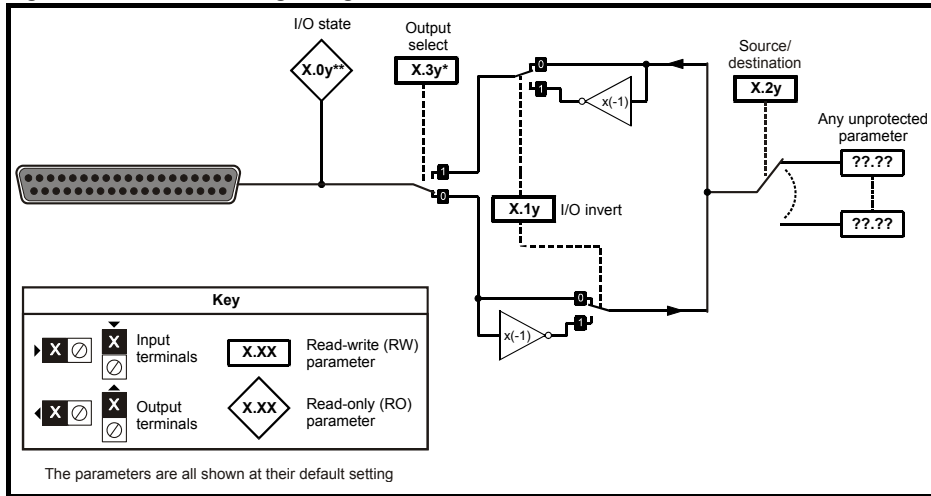
SM-I/O 120V parameters

Parameter	Range(⇅)	Default(⇔)	Type		
x.01 Solutions Module ID	0 to 599	206	RO Uni NC PT US		
x.02 Solutions Module software version	0.00 to 99.99		RO Uni NC PT		
x.03 T4 digital input 3 state	OFF (0) or On (1)		RO Bit NC PT		
x.04 T5 digital input 4 state			RO Bit NC PT		
x.05 T7 digital input 5 state			RO Bit NC PT		
x.06 T8 digital input 6 state			RO Bit NC PT		
x.07 Relay 1 state			RO Bit NC PT		
x.08 Relay 2 state			RO Bit NC PT		
x.09 T1 digital input 1 state			RO Bit NC PT		
x.10 T2 digital input 2 state			RO Bit NC PT		
x.11 T1 digital input 1 invert	OFF (0)		RW Bit US		
x.12 T2 digital input 2 invert			RW Bit US		
x.13 T4 digital input 3 invert			RW Bit US		
x.14 T5 digital input 4 invert			RW Bit US		
x.15 T7 digital input 5 invert			RW Bit US		
x.16 T8 digital input 6 invert			RW Bit US		
x.17 Relay 1 invert			RW Bit US		
x.18 Relay 2 invert			RW Bit US		
x.20 Digital I/O read word	0 to 255		RO Uni NC PT		
x.21 T1 digital input 1 destination	Pr 0.00 to Pr 50.99	Pr 0.00	RW Uni DE PT US		
x.22 T2 digital input 2 destination			RW Uni DE PT US		
x.23 T4 digital input 3 destination			RW Uni DE PT US		
x.24 T5 digital input 4 destination			RW Uni DE PT US		
x.25 T7 digital input 5 destination			RW Uni DE PT US		
x.26 T8 digital input 6 destination			RW Uni DE PT US		
x.27 Relay 1 source			RW Uni PT US		
x.28 Relay 2 source			RW Uni PT US		
x.50 Solutions Module error status*			0 to 255		RO Uni NC PT
x.51 Solutions Module software sub-version			0 to 99		RO Uni NC PT

RW	Read / Write	RO	Read only	Uni	Unipolar	Bi	Bi-polar	Bit	Bit parameter	Txt	Text string		
Fl	Filtered	DE	Destination	NC	Not copied	RA	Rating dependent	PT	Protected	US	User save	PS	Power down save

\*See trip SLX.Er, Automation (I/O Expansion) module category on page 251.

Figure 11-41 SM-I/O 32 logic diagram



SM-I/O 32 parameters

Parameter	Range(↕)	Default(⇒)	Type					
x.01 Solutions Module ID code	0 to 599	208	RO	Uni		PT US		
x.02 Solutions Module main software version	0.00 to 99.99	99.00	RO	Uni	NC	PT		
x.03 Digital I/O 3 state	OFF(0) or On(1)	OFF (0)	RO	Bit	NC	PT		
x.04 Digital I/O 4 state			RO	Bit	NC	PT		
x.05 Digital I/O 5 state			RO	Bit	NC	PT		
x.06 Digital I/O 6 state			RO	Bit	NC	PT		
x.07 Digital I/O 7 state			RO	Bit	NC	PT		
x.08 Digital I/O 8 state			RO	Bit	NC	PT		
x.09 Digital I/O 1 state			RO	Bit	NC	PT		
x.10 Digital I/O 2 state			RO	Bit	NC	PT		
x.11 Digital I/O 1 invert			RW	Bit		US		
x.12 Digital I/O 2 invert			RW	Bit		US		
x.13 Digital I/O 3 invert			RW	Bit		US		
x.14 Digital I/O 4 invert			RW	Bit		US		
x.15 Digital I/O 5 invert			RW	Bit		US		
x.16 Digital I/O 6 invert			RW	Bit		US		
x.17 Digital I/O 7 invert			RW	Bit		US		
x.18 Digital I/O 8 invert			RW	Bit		US		
x.20 Digital I/O read word			0 to 255	0	RO	Uni	NC	PT
x.21 Digital I/O 1 source/destination			Pr 0.00 to Pr 50.99	Pr 0.00	RW	Uni	DE	PT US
x.22 Digital I/O 2 source/destination	RW	Uni			DE	PT US		
x.23 Digital I/O 3 source/destination	RW	Uni			DE	PT US		
x.24 Digital I/O 4 source/destination	RW	Uni			DE	PT US		
x.25 Digital I/O 5 source/destination	RW	Uni			DE	PT US		
x.26 Digital I/O 6 source/destination	RW	Uni			DE	PT US		
x.27 Digital I/O 7 source/destination	RW	Uni			DE	PT US		
x.28 Digital I/O 8 source/destination	RW	Uni			DE	PT US		
x.29 Digital I/O 4 output select	OFF(0) or On(1)	OFF (0)	RW	Bit		PT US		
x.31 Digital I/O 1 output select			RW	Bit		US		
x.32 Digital I/O 2 output select			RW	Bit		US		
x.33 Digital I/O 3 output select	Pr 0.00 to Pr 50.99	Pr 0.00	RW	Uni	DE	PT US		
x.43 First update method direction register			RW	Uni	DE	PT US		
x.47 Fast update method read register			RW	Uni	DE	PT US		
x.48 Fast update method write register			RW	Uni		PT US		
x.50 Solutions Module error status*	0 to 255		RO	Uni	NC	PT		
x.51 Solutions Module software sub-version	0 to 99		RO	Uni	NC	PT		

RW	Read / Write	RO	Read only	Uni	Unipolar	Bi	Bi-polar	Bit	Bit parameter	Txt	Text string		
FI	Filtered	DE	Destination	NC	Not copied	RA	Rating dependent	PT	Protected	US	User save	PS	Power down save

\*See trip SLX.Er, Automation (I/O Expansion) module category on page 251.

**Table 11-7 Applications module parameters**

Parameter		Range(⇅)	Default(⇄)	Type					
x.01	Solutions Module ID	0 to 599		RO	Uni			PT	US
x.02	Solutions Module software version	0.00 to 99.99		RO	Uni		NC	PT	
x.03	DPL program status	None (0), Stop (1), Run (2), Trip (3)		RO	Txt		NC	PT	
x.04	Available system resource	0 to 100		RO	Uni		NC	PT	
x.05	RS485 address	0 to 255	11	RW	Uni				US
x.06	RS485 mode	0 to 255	1	RW	Uni				US
x.07	RS485 baud rate	300 (0), 600 (1), 1200 (2), 2400 (3), 4800 (4), 9600 (5), 19200 (6), 38400 (7), 57600 (8), 115200 (9) baud	4800 (4)	RW	Txt				US
x.08	RS485 Turnaround delay	0 to 255 ms	2	RW	Uni				US
x.09	RS485 Tx enable delay	0 to 1 ms	0	RW	Uni				US
x.10	DPL Print Routing	SYPT: OFF (0), RS485: On (1)	SYPT: OFF (0)	RW	Bit				US
x.11	Clock task scheduling (ms)	0 to 200	10	RW	Uni				US
x.12	POS task scheduling rate	dISABLEd (0), 0.25 ms (1), 0.5 ms (2), 1 ms (3), 2 ms (4), 4 ms (5), 8 ms (6)	dISABLEd (0)	RW	Txt				US
x.13	Enable autorun		On (1)	RW	Bit				US
x.14	Global run time trip enable	OFF (0) or On (1)	OFF (0)	RW	Bit				US
x.15	Disable reset on trip cleared			RW	Bit				US
x.16	Encoder data update rate	0 to 3	0	RW	Uni				US
x.17	Enable parameter over range trips			RW	Bit				US
x.18	Watchdog enable			RW	Bit				US
x.19	Save request			RW	Bit		NC		
x.20	Enable power down save	OFF (0) or On (1)	OFF (0)	RW	Bit				US
x.21	Enable menu 20 save and restore			RW	Bit				US
x.22	CTNet Token Ring ID	0 to 255	0	RW	Uni				US
x.23	CTNet node address		0	RW	Uni				US
x.24	CTNet baud rate	5.000 (0), 2.500 (1), 1.250 (2), 0.625 (3)	2.500 (1)	RW	Txt				US
x.25	CTNet sync setup	0,000 to 9,999	0,000	RW	Uni				US
x.26	CTNet easy mode - first cyclic parameter destination node	0 to 25,503		RW	Uni				US
x.27	CTNet easy mode - first cyclic source parameter	0 to 9,999		RW	Uni				US
x.28	CTNet easy mode - second cyclic parameter destination node	0 to 25,503		RW	Uni				US
x.29	CTNet easy mode - second cyclic source parameter	0 to 9,999		RW	Uni				US
x.30	CTNet easy mode - third cyclic parameter destination node	0 to 25,503	0	RW	Uni				US
x.31	CTNet easy mode - third cyclic source parameter	0 to 9,999		RW	Uni				US
x.32	CTNet easy mode set-up - Transfer slot 1 destination parameter	0 to 9,999		RW	Uni				US
x.33	CTNet easy mode set-up - Transfer slot 2 destination parameter	0 to 9,999		RW	Uni				US
x.34	CTNet easy mode set-up - Transfer slot 3 destination parameter	0 to 9,999		RW	Uni				US
x.35	CTNet sync event task ID	Disabled (0), Event (1), Event1 (2), Event2 (3), Event3 (4)	Disabled (0)	RW	Txt				US
x.36	CTNet diagnostic parameter	-3 to +32,767		RO	Uni		NC	PT	
x.37	Reject download if drive enabled			RW	Bit				US
x.38	APC run-time trip	OFF (0) or On (1)	OFF (0)	RW	Bit				US
x.39	Inter-module synchronization status	0 to 3	0	RO	Uni		NC		
x.41	Indexer control	0 to 255		RW	Uni		NC		
x.42	Pass freeze through drive			RW	Bit				US
x.43	Freeze invert	OFF (0) or On (1)	OFF (0)	RW	Bit				US
x.44	Task priority level	0 to 255	0	RW	Uni				US
x.45	User set-up parameter 1	0 to 65535		RO	Uni		NC		
x.46	User set-up parameter 2	-32,768 to +32,767		RO	Uni		NC		
x.47	User set-up parameter 3	0 to 255		RO	Uni		NC		
x.48	DPL line number in error	0 to 2,147,483,647		RO	Uni		NC	PT	
x.49	User program ID	-32,768 to +32,767	0	RO	Bi		NC	PT	
x.50	Solutions Module error status*	0 to 255		RO	Uni		NC	PT	
x.51	Solutions Module software sub-version	0 to 99		RO	Uni		NC	PT	

RW	Read / Write	RO	Read only	Uni	Unipolar	Bi	Bi-polar	Bit	Bit parameter	Txt	Text string		
FI	Filtered	DE	Destination	NC	Not copied	RA	Rating dependent	PT	Protected	US	User save	PS	Power down save

### 11.14.3 Fieldbus module category

#### Fieldbus module parameters

For information regarding Fieldbus module parameters, refer to the appropriate *Solutions Module User Guide*.

### 11.15 Menu 17: Building Automation Network

Parameter	Range(⇅)	Default(⇒)	Type					
17.01	ID code	0 to 599	402	RO	Uni		PT	US
17.02	Software version	0.00 to 99.99		RO	Uni		NC	PT
17.03	MAC/Node address	0 to 65535	1	RW	Uni			US
17.04	Baud rate	0 to 127	0	RW	Uni			US
17.05	Building Automation Network protocol	0 to 65535		RW	Uni			US
17.06	Received message counter	0 to 9999		RO	Uni		NC	PT
17.07	MS/TP maximum master MAC address	0 to 3000	127	RW	Uni			US
17.10	Device object identifier	32767 to -32768	0	RW	Bi			US
17.12	Communications lost detection timeout	-32,768 to +32,768	0	RW				US
17.13	Communications loss action			RW				US
17.35	CRC errors	0 to 2 <sup>31</sup> -1		RO	Uni		NC	PT
17.38	Data format	0 to 255	0	RW	Uni			US
17.39	Response turn-around time	0 to 255 ms	5	RW	Uni		NC	
17.44	Real-time clock (RTC) back-up battery low	0 to 255	0	RO	Uni		NC	PT
17.45	Communications OK flag			RO	Bit			
17.50	Building Automation Network error status			RO	Uni		NC	PT
17.51	Module software sub-version	0 to 99		RO	Uni		NC	PT

### 11.16 Menu 18: Application menu 1

Parameter	Range(⇅)	Default(⇒)	Type					
18.01	Application menu 1 power-down saved integer	-32,768 to +32,767	0	RW	Bi		NC	PS
18.02 to 18.10	Application menu 1 read-only integer			RO	Bi		NC	
18.11 to 18.30	Application menu 1 read-write integer			RW	Bi			US
18.31 to 18.50	Application menu 1 read-write bit			OFF (0) or On (1)	RW	Bit		

### 11.17 Menu 19: Application menu 2

Parameter	Range(⇅)	Default(⇒)	Type					
19.01	Application menu 2 power-down saved integer	-32,768 to +32,767	0	RW	Bi		NC	PS
19.02 to 19.10	Application menu 2 read-only integer			RO	Bi		NC	
19.11 to 19.30	Application menu 2 read-write integer			RW	Bi			US
19.31 to 19.50	Application menu 2 read-write bit			OFF (0) or On (1)	RW	Bit		

### 11.18 Menu 20: Application menu 3

Parameter	Range(⇅)	Default(⇒)	Type					
20.01 to 20.20	Application menu 3 read-write integer	-32,768 to +32,767	0	RW	Bi		NC	
20.21 to 20.40	Application menu 3 read-write long integer			-2 <sup>31</sup> to 2 <sup>31</sup> -1	RW	Bi		NC

All menu 20 parameters are transferred to the SMARTCARD when a 4yyy transfer is performed. See section 9.2.1 *Writing to the SMARTCARD* on page 127 for more information.

RW	Read / Write	RO	Read only	Uni	Unipolar	Bi	Bi-polar	Bit	Bit parameter	Txt	Text string		
FI	Filtered	DE	Destination	NC	Not copied	RA	Rating dependent	PT	Protected	US	User save	PS	Power down save

## 11.19 Menu 21: Second motor parameters

Parameter			Range(⇅)		Default(⇄)		Type					
			OL	RFC	OL	RFC						
21.01	Maximum reference clamp	{0.02}*	0 to 3,000.0 Hz	SPEED_LIMIT_MAX rpm	EUR> 50.0 USA> 60.0	EUR> 1,500.0 USA> 1,800.0	RW	Uni				US
21.02	Minimum reference clamp	{0.01}*	±3,000.0 Hz	±SPEED_LIMIT_MAX rpm	0.0		RW	Bi				PT US
21.03	Reference selector	{0.05}*	A1.A2 (0), A1.Pr (1), A2.Pr (2), Pr (3), PAd (4), Prc (5)		A1.A2 (0)		RW	Txt				US
21.04	Acceleration rate	{0.03}*	0.0 to 3,200.0	0.000 to 3,200.000	EUR> 40.0 USA> 33.3	EUR> 13.333 USA 11.111	RW	Uni				US
21.05	Deceleration rate	{0.04}*	s/100Hz	s/1000rpm			RW	Uni				US
21.06	Rated frequency	{0.47}*	0 to 3000.0 Hz	0 to 1250.0Hz	EUR> 50 USA> 60		RW	Uni				US
21.07	Rated current	{0.46}*	0 to RATED_CURRENT_MAX A		RATED_CURRENT_MAX		RW	Uni		RA		US
21.08	Rated load rpm	{0.45}*	0 to 180,000 rpm	0.00 to 40,000.00 rpm	EUR> 1,500 USA> 1,800	EUR> 1,450.00 USA> 1,770.00	RW	Uni				US
21.09	Rated voltage	{0.44}*	0 to AC_VOLTAGE_SET_MAX V		200V rating drive: 230V 400V rating drive: EUR> 400V, USA> 460V 575V rating drive: 575V 690V rating drive: 690V		RW	Uni		RA		US
21.10	Rated power factor	{0.43}*	0.000 to 1.000	0.000 to 1.000	0.85		RW	Uni		RA		US
21.11	Number of motor poles	{0.42}*	Auto to 120 pole (0 to 60)		Auto (0)		RW	Txt				US
21.12	Stator resistance		Size 1 to 5: 0.000 to 65.000 Ω Size 6: 0.000 to 65.000 x 10 mΩ		0.0		RW	Uni		RA		US
21.13	Voltage offset		0.0 to 25.0 V		0.0		RW	Uni		RA		US
21.14	Transient inductance (σ <sub>Ls</sub> )		0.000 to 500.000mH		0.000		RW	Uni		RA		US
21.15	Motor 2 active		OFF (0) or On (1)				RO	Bit		NC	PT	
21.16	Thermal time constant	{0.45}*	0.0 to 3000.0		89.0		RW	Uni				US
21.17	Speed controller Kp gain	{0.07}*		0.000 to 6.5535 rad s <sup>-1</sup>		0.0300	RW	Uni				US
21.18	Speed controller Ki gain	{0.08}*		0.00 to 655.35 s/rad s <sup>-1</sup>		0.10	RW	Uni				US
21.19	Speed controller Kd gain	{0.09}*		0.00000 to 0.65535 s <sup>-1</sup> /rad s <sup>-1</sup>		0.00000	RW	Uni				US
21.22	Current controller Kp gain	{0.38}*	0 to 30,000		20	200V: 75, 400V: 150, 575V: 180, 690V: 215	RW	Uni				US
21.23	Current controller Ki gain	{0.39}*			40	200V: 1,000, 400V: 2,000, 575V: 2,400, 690V: 3,000	RW	Uni				
21.24	Stator inductance (L <sub>s</sub> )			0.00 to 5,000.00 mH		0.00	RW	Uni		RA		US
21.25	Motor saturation breakpoint 1			0 to 100% of rated flux		50	RW	Uni				US
21.26	Motor saturation breakpoint 2			0 to 100% of rated flux		75	RW	Uni				US
21.27	Motoring current limit		0 to MOTOR2_CURRENT_LIMIT_MAX %		110.0		RW	Uni		RA		US
21.28	Regen current limit						RW	Uni		RA		US
21.29	Symmetrical current limit	{0.06}*					RW	Uni		RA		US

RW	Read / Write	RO	Read only	Uni	Unipolar	Bi	Bi-polar	Bit	Bit parameter	Txt	Text string		
Fl	Filtered	DE	Destination	NC	Not copied	RA	Rating dependent	PT	Protected	US	User save	PS	Power down save

\* The menu 0 references are only valid when the second motor map parameters have been made active by setting Pr 11.45 to 1. (The second motor map only becomes effective when the output stage of the drive is not enabled, i.e. inh, rdY, or trip states.)

When the second motor map parameters are active, the symbol 'Mot2' will appear in the lower left hand corner of the LCD display or the decimal point that is second from the right on the first row of the LED display is lit.

## 11.20 Menu 22: Additional Menu 0 set-up

Parameter		Range(⇅)		Default(⇄)		Type					
		OL	RFC	OL	RFC						
22.01	Parameter 0.31 set-up	Pr 1.00 to Pr 50.99		Pr 11.33		RW	Uni			PT	US
22.02	Parameter 0.32 set-up			Pr 11.32		RW	Uni			PT	US
22.03	Parameter 0.33 set-up			Pr 6.09		RW	Uni			PT	US
22.04	Parameter 0.34 set-up			Pr 11.30		RW	Uni			PT	US
22.05	Parameter 0.35 set-up			Pr 11.24		RW	Uni			PT	US
22.06	Parameter 0.36 set-up			Pr 11.25		RW	Uni			PT	US
22.07	Parameter 0.37 set-up			Pr 11.23		RW	Uni			PT	US
22.10	Parameter 0.40 set-up			Pr 5.12		RW	Uni			PT	US
22.11	Parameter 0.41 set-up			Pr 5.18		RW	Uni			PT	US
22.18	Parameter 0.48 set-up			Pr 11.31		RW	Uni			PT	US
22.20	Parameter 0.50 set-up			Pr 11.29		RW	Uni			PT	US
22.21	Parameter 0.51 set-up			Pr 8.29		RW	Uni			PT	US
22.22	Parameter 0.52 set-up			Pr 9.35		RW	Uni			PT	US
22.23	Parameter 0.53 set-up			Pr 9.36		RW	Uni			PT	US
22.24	Parameter 0.54 set-up			Pr 9.37		RW	Uni			PT	US
22.25	Parameter 0.55 set-up			Pr 9.38		RW	Uni			PT	US
22.26	Parameter 0.56 set-up			Pr 9.39		RW	Uni			PT	US
22.27	Parameter 0.57 set-up			Pr 9.40		RW	Uni			PT	US
22.28	Parameter 0.58 set-up			Pr 9.43		RW	Uni			PT	US
22.29	Parameter 0.59 set-up			Pr 0.00		RW	Uni			PT	US

RW	Read / Write	RO	Read only	Uni	Unipolar	Bi	Bi-polar	Bit	Bit parameter	Txt	Text string		
Fl	Filtered	DE	Destination	NC	Not copied	RA	Rating dependent	PT	Protected	US	User save	PS	Power down save



## 11.21 Advanced features

This section gives information on some of the advanced functions of the drive. For additional information see the *Advanced User Guide*.

Reference modes	Pr 1.14, Pr 1.15 and Pr 8.39
Hand / off / auto	Pr 1.52
Fire mode	Pr 1.53 and Pr 1.54
Advanced process PID	Menu 14
Analog reference profile	Pr 7.41 and Pr 7.44
Braking modes	Pr 2.04 and Pr 2.08
S ramps	Pr 2.06 and Pr 2.07
Torque modes	Pr 4.08 and Pr 4.11
Stop modes	Pr 6.01, Pr 6.06, Pr 6.07 and Pr 6.08
Main loss modes	Pr 6.03, Pr 6.48, Pr 4.13 and Pr 4.14
Catch a spinning motor	Pr 6.09 and Pr 5.40
Fast disable	Pr 6.29
Building automation interface	Menu 17

### 11.21.1 Reference modes

<b>1.14</b>		<b>Reference selector</b>	
RW	Txt		
		NC	US
⇅	A1.A2 (0), A1.Pr (2), A2.Pr (2), Pr (3), PAd (4), Prc (5)	⇒	A1.A2 (0)

<b>1.15</b>		<b>Preset reference selector</b>	
RW	Uni		
		NC	US
⇅	0 to 9	⇒	0

<b>8.39</b>		<b>T28 and T29 auto-selection disable</b>	
RW	Bit		
			US
⇅	OFF (0) or On (1)	⇒	On (1)

If Pr 8.39 is set to OFF (0), then the setting of Pr 1.14 automatically changes the operation of digital inputs T28 and T29 by configuring the destination parameters Pr 8.25 and Pr 8.26. To allow Pr 8.25 and Pr 8.26 to be changed manually by the user, the automatic set-up must be disabled by setting Pr 8.39 to 1.

If Pr 8.39 is 0 and Pr 1.14 is changed, then a drive reset is required before the function of terminal T28 or T29 will become active.

Table 11-8 Active reference

Pr 1.14	Pr 1.15	Digital Input T28		Digital Input T29		Pr 1.49	Pr 1.50	Active Reference
		State	Function	State	Function			
A1.A2 (0)	0 or 1	0	Analog 1/2 select		No function	1	1	Analog input 1
		1				2	1	Analog input 2
	2 to 8		No function			1 or 2	2 to 8	Preset reference 2 to 8
	9 *	0	Analog 1/2 select			1	1	Analog input 1
1		2		1	Analog input 2			
1 or 2		2 to 8		Preset reference 2 to 8				
A1.Pr (1)	0	0	Preset select bit 0	0	Preset select bit 1	1	1	Analog input 1
		1		2			Preset reference 2	
		0		3			Preset reference 3	
		1		4			Preset reference 4	
	1		No function		1		Analog input 1	
	2 to 8				No function		2 to 8	Preset reference 2 to 8
9 *		No function		No function		1	Analog input 1	
2 to 8		Preset reference 2 to 8						
A2.Pr (2)	0	0	Preset select bit 0	0	Preset select bit 1	2	1	Analog input 2
		1		2			Preset reference 2	
		0		3			Preset reference 3	
		1		4			Preset reference 4	
	1		No function		1		Analog input 2	
	2 to 8				No function		2 to 8	Preset reference 2 to 8
9 *		No function		No function		1	Analog input 2	
2 to 8		Preset reference 2 to 8						
Pr (3)	0	0	Preset select bit 0	0	Preset select bit 1	3	1	Preset reference 1
		1		2			Preset reference 2	
		0		3			Preset reference 3	
		1		4			Preset reference 4	
	1 to 8		No function		1 to 8		Preset reference 1 to 8	
	9 *				No function		1 to 8	Preset reference 1 to 8
PAd (4)		No function		No function		4		Keypad reference
Prc (5)		No function		No function		5		Precision reference

\* Setting Pr 1.15 to 9 enables the Preset reference scan timer. With the scan timer enabled analog 1 and preset references 2 to 8 are selected automatically in turn. Pr 1.16 defines the time between each change.

## Preset references

Preset references 1 to 8 are contained in Pr 1.21 to Pr 1.28.

## Keypad reference

If Keypad reference is selected the drive sequencer is controlled directly by the keypad keys and the keypad reference parameter (Pr 1.17) is selected. The sequencing bits, Pr 6.30 to Pr 6.34, and Pr 6.37 have no effect and jog is disabled.

### 11.21.2 Hand / Off / Auto

1.52		Enable Hand / Off / Auto keypad operating mode										
RW	Uni										US	
↕		0 to 3						⇒	1			

Hand / Off / Auto functions are enabled if Pr 1.52 is set to a non-zero value, otherwise the keypad buttons are allocated as follows:

- Blue  - Forward/Reverse
- Green  - Run
- Red  - Reset

When Hand / Off / Auto functions are enabled (Pr 1.52 set to either 1, 2 or 3), then the keypad buttons will be allocated as follows:

- Blue  - Auto
- Green  - Hand
- Red  - Off/Reset

The value in Pr 1.52 selects Hand/Off/Auto mode on power-up as shown in Table 11-9.

Table 11-9 Hand/Off/Auto mode

Pr 1.52	Power up
0	Hand/Off/Auto disabled
1	Auto Mode
2	Off Mode
3	See table Table 11-10

Table 11-10 Power-up modes if Pr 1.52 = 3

Power-down	Power-up
Hand	Off
Off	Off
Auto	Auto

## Auto

In Auto mode, the reference for the motor speed/frequency will be selected by the value set in Pr 0.05.

## Hand

The speed/frequency reference Pr 0.05 is automatically set to keypad reference. The motor speed is determined by the value in the keypad control mode reference Pr 1.17, which can be adjusted by pressing the Up/Down arrows on the keypad.

When Hand is selected from Auto, Pr 1.17 will be set to the value of the *Pre-ramp reference* (Pr 1.03) on mode transition, so the current motor speed is maintained.

If Hand mode is selected from Off mode, the motor will ramp up to the speed determined by the value in Pr 1.17.

## Off

In Off mode, the motor will be stopped. The speed/frequency reference (Pr 0.05) is automatically set to keypad reference allowing the value in the *keypad control mode reference* (Pr 1.17) to be modified by pressing the Up/Down arrow keys. If Hand mode is then selected, the motor will ramp up to the speed determined by the value in Pr 1.17.

## 11.21.3 Fire mode



### Fire Mode - Important Warning.

When Fire Mode is active the motor overload and thermal protection are disabled, as well as a number of drive protection functions. Fire Mode is provided for use only in emergency situations where the safety risk from disabling protection is less than the risk from the drive tripping - typically in smoke extraction operation to permit evacuation of a building. The use of Fire Mode itself causes a risk of fire from overloading of the motor or drive, so it must only be used after careful consideration of the balance of risks.

Care must be taken to prevent inadvertent activation or de-activation of Fire Mode. Fire Mode is indicated by a flashing display text warning "Fire mode active".

Care must be taken to ensure that parameters Pr 1.53 or Pr 1.54 are not inadvertently re-allocated to different inputs or variables. It should be noted that, by default, Pr 1.54 is controlled from digital input 4 and changing Pr 6.04 or Pr 8.24 can re-allocate this digital input to another parameter. These parameters are at access level 2 in order to minimize the risk of inadvertent or unauthorized changes. It is recommended that User Security be applied to further reduce the risk (see section 5.10 *Parameter access level and security* on page 95). These parameters may also be changed via serial communications so adequate precautions should be taken if this functionality is utilized.

1.53		Fire mode reference										
RW	Uni										US	
OL	↕	±SPEED_FREQ_MAX						⇒	0.0 Hz			
RFC		Hz/rpm							0.0 rpm			

1.54		Fire mode activation										
RO	Bit								NC	US		
↕		OFF (0) or On (1)						⇒				

Emergency ventilation or fire mode allows for the purging of air from a structure during a fire. It is enabled if Pr 1.53 is set to a non zero value and activated when Pr 1.54 is set to one. When activated, the pre-ramp reference (Pr 1.03) is set to the value of Pr 1.53 and the normal drive controls are overridden as follows:

1. Drive enable is only controlled by the Enable input (Pr 6.15). The control word (Pr 6.43) cannot be used to disable the drive.
2. The internal run command is forced to be active. The normal drive sequencing bits (Pr 6.30 to Pr 6.34) and the control word have no effect.
3. The limit switch functions (Pr 6.35 and Pr 6.36) have no effect and will not stop the motor.
4. The hard speed reference is forced to zero. The hard speed reference should not be used when fire mode is likely to be activated as this will cause an abrupt change of speed.
5. The hand/off/auto function is disabled. If this system is in the hand state when fire mode is activated it will be forced to the off state, so that hand state is not active when fire mode is de-activated.
6. Keypad mode is disabled.
7. All latching mode states are reset.

When Pr 1.54 is subsequently set to zero the drive returns to normal operation.

Pr 1.54 can only be changed from a digital input and the default configuration allocates this to digital input 4.



Care should be undertaken when modifying parameters as setting Pr 1.53 to zero inhibits the fire mode function and changing Pr 8.24 (*Digital Input 4 source*) or Pr 6.04 (*Start/ Stop logic select*) could result in digital input 4 source to be allocated to a parameter other than Pr 1.54.

If fire mode is activated when the drive is in a tripped state then the trip is reset.

Only the trips listed in the following table can be initiated while fire mode is active.

Trip number	String	Cause of trip
2	OU	DC bus over-voltage
3	OI.AC	AC instantaneous over-current
4	OI.br	Braking resistor instantaneous over current
5	PS	Drive power supply fault
8	PS.10V	10V user power supply overload
9	PS.24V	24V internal power supply overload
21	O.ht1	Power device over temperature based on thermal model
31	EEF	EEProm failure
36	SAVE.Er	User parameter save error
37	PSAVE.Er	Power down save parameter error
103	Oibr.P	Power module braking IGBT over current
104	OIAC.P	Power module over current detected from the module output currents
105	Oht2.P	Power module heatsink over temperature
106	OU.P	Power module DC bus over-voltage
107	Ph.P	Power module phase loss detection
108	PS.P	Power module power supply fail
109	OIdc.P	Power module over current detected from on state voltage monitoring
110	Unid.P	Power module unidentified trip
200	SL1.HF	Slot 1 Solutions Module failure
205	SL2.HF	Slot 2 Solutions Module failure
210	SL3.HF	Slot 3 Solutions Module failure
217 to 232	HF17 to HF32	Hardware faults



It is possible for the drive or motor to become damaged when operating in fire mode because some of the drive thermal protection trips are disabled.

### 11.21.4 Advanced process PID

The Advanced Process PID comprises two PID controllers. PID 1 can be configured to operate as follows (refer to Pr 14.59 for details).

- Single setpoint and single feedback
- Single setpoint and dual feedback
- Dual setpoints and dual feedback

PID 2 always operates as a single setpoint, single feedback controller.

When a feedback signal requires square root conversion (e.g. airflow), square root scaling can be applied to PID 1 feedback (see Pr 14.58, Pr 14.60, Pr 14.61 and Pr 14.62). PID 1 also includes a pre-sleep boost level facility (see Pr 14.28 and Pr 14.29) to reduce frequent transitions into sleep mode when the PID is used.

The PID system is always active even when the output destination parameters are not set to a valid destination parameter. This allows the PID controllers to be used independently from the drive via a building automation network.

<b>14.01</b>		<b>PID 1 output</b>											
<b>14.31</b>		<b>PID 2 output</b>											
RO	Bi									NC	PT		
⇕		±100.00						⇒					

Pr 14.01 is the output (limited by Pr 14.13 and Pr 14.14) from PID 1 before scaling (Pr 14.15) is applied. It is derived from the following algorithm:

$$\text{Output} = \text{Error} \times [\text{Kp} + \text{Ki}/\text{s} + \text{Kds}/(0.064\text{s} + 1)]$$

Where:

Error = Reference (Pr 14.03, Pr 14.25) - Feedback (Pr 14.04)

Kp = proportional gain (Pr 14.10)

Ki = integral gain (Pr 14.11)

Kd = differential gain (Pr 14.12)

Therefore with an error of 100% and Kp = 1.000, the output produced by the proportional term is 100%. With an error of 100% and Ki = 1.000 the output produced by the integral term will increase linearly by 100% every second. With an error that is increasing by 100% per second and Kd = 1.000 the output produced by the differential term will be 100%. A filter with a 64ms time constant is applied to the differential term to reduce noise.

<b>14.02</b>		<b>PID main reference source parameter</b>											
RW	Uni									PT	US		
⇕		Pr 0.00 to Pr 50.99						⇒		Pr 0.00			

<b>14.03</b>		<b>PID 1 reference source parameter</b>											
<b>14.33</b>		<b>PID 2 reference source parameter</b>											
RW	Uni									PT	US		
⇕		Pr 0.00 to Pr 50.99						⇒		Pr 0.00			

The PID reference is the sum of the digital reference (Pr 14.25) and the value from the location defined by the source parameter (Pr 14.03). Before the reference is applied to the controller algorithm, it can be scaled by setting Pr 14.23 to a value other than one and/or inverted by setting Pr 14.05 = 1.

<b>14.04</b>		<b>PID 1 feedback source parameter</b>											
<b>14.34</b>		<b>PID 2 feedback source parameter</b>											
RW	Uni									PT	US		
⇕		Pr 0.00 to Pr 50.99						⇒		Pr 0.00			

The feedback is the sum of the digital feedback (Pr 14.26) and the value from the location defined by the source parameter (Pr 14.04). Before the reference is applied to the controller algorithm, it can be scaled by setting Pr 14.24 to a value other than one and/or inverted by setting Pr 14.06 = 1.

<b>14.05</b>		<b>PID 1 reference invert</b>											
<b>14.35</b>		<b>PID 2 reference invert</b>											
RW	Bit										US		
⇕		OFF (0) or On (1)						⇒		OFF (0)			

<b>14.06</b>		<b>PID 1 feedback invert</b>											
<b>14.36</b>		<b>PID 2 feedback invert</b>											
RW	Bit										US		
⇕		OFF (0) or On (1)						⇒		OFF (0)			

<b>14.07</b>	<b>PID 1 reference slew-rate limit</b>												
<b>14.37</b>	<b>PID 2 reference slew-rate limit</b>												
RW	Uni												US
⇅	0.0 to 3200.0 s						⇒	0.0					

Pr **14.07** defines the time taken for the reference input to ramp from 0 to 100% following a 0 to 100% step change in input.

<b>14.08</b>	<b>PID 1 enable</b>												
RW	Bit												US
⇅	OFF (0) or On (1)						⇒	OFF (0)					

PID 1 is enabled when Pr **14.08** = 1 and both the parameter sources defined by Pr **14.09** and Pr **14.27** have a value of one. (The source value for Pr **14.09** or Pr **14.27** appears as one if the parameter is set to 0.0.) By default, Pr **14.09** is set to 10.01 (drive OK) so that the PID controller is disabled if the drive is tripped. When the PID controller is disabled the output is zero and all the internal state variables (i.e. integrator accumulator etc.) are held at zero.

<b>14.09</b>	<b>PID 1 optional enable source parameter 1</b>												
RW	Uni									PT			US
⇅	Pr 0.00 to Pr 50.99						⇒	Pr 0.00					

<b>14.10</b>	<b>PID 1 proportional gain</b>												
<b>14.40</b>	<b>PID 2 proportional gain</b>												
RW	Uni												US
⇅	0.000 to 4.000						⇒	1.000					

<b>14.11</b>	<b>PID 1 integral gain</b>												
<b>14.41</b>	<b>PID 2 integral gain</b>												
RW	Uni												US
⇅	0.000 to 4.000						⇒	1.000					

<b>14.12</b>	<b>PID 1 differential gain</b>												
<b>14.42</b>	<b>PID 2 differential gain</b>												
RW	Uni												US
⇅	0.000 to 4.000						⇒	1.000					

<b>14.13</b>	<b>PID 1 output upper limit</b>												
<b>14.43</b>	<b>PID 2 output upper limit</b>												
RW	Uni												US
⇅	0.00 to 100.00 %						⇒	100.00					

<b>14.14</b>	<b>PID 1 output lower limit</b>												
<b>14.44</b>	<b>PID 2 output lower limit</b>												
RW	Uni												US
⇅	±100.00 %						⇒	-100.00					

If Pr **14.18** is zero, the upper limit (Pr **14.13**) defines the maximum positive output for the PID controller and the lower limit defines the minimum positive or maximum negative output. If symmetrical limits are selected, i.e. Pr **14.18** = c1, then the upper limit defines the maximum positive or negative magnitude for the PID output. When any of the limits is active then the integrator accumulator is held.

<b>14.15</b>	<b>PID 1 output scaling</b>												
<b>14.45</b>	<b>PID 2 output scaling</b>												
RW	Uni												US
⇅	0.000 to 4.000						⇒	1.000					

<b>14.16</b>	<b>PID 1 output destination parameter</b>												
<b>14.46</b>	<b>PID 2 output destination parameter</b>												
RW	Uni		DE							PT			US
⇅	Pr 0.00 to Pr 50.99						⇒	Pr 0.00					

<b>14.17</b>	<b>PID 1 integrator hold</b>												
<b>14.47</b>	<b>PID 2 integrator hold</b>												
RW	Bit									NC			US
⇅	OFF (0) or On (1)						⇒	OFF (0)					

When this parameter is set to OFF (0) the integrator operates normally. Setting this parameter to On (1) will cause the integrator value to be held. Setting this parameter does not prevent the integrator from being reset to zero if the PID controller is disabled.

<b>14.18</b>	<b>PID 1 symmetrical limit enable</b>												
<b>14.48</b>	<b>PID 2 symmetrical limit enable</b>												
RW	Bit												US
⇅	OFF (0) or On (1)						⇒	OFF (0)					

<b>14.19</b>	<b>PID 1 main reference</b>												
<b>14.49</b>	<b>PID 2 main reference</b>												
RO	Bi									NC	PT		US
⇅	±100.00 %						⇒						

<b>14.20</b>	<b>PID 1 reference</b>												
<b>14.50</b>	<b>PID 2 reference</b>												
RO	Bi									NC	PT		US
⇅	±100.00 %						⇒						

<b>14.21</b>	<b>PID 1 feedback</b>												
<b>14.51</b>	<b>PID 2 feedback</b>												
RO	Bi									NC	PT		US
⇅	±100.00 %						⇒						

<b>14.22</b>	<b>PID 1 error</b>												
<b>14.52</b>	<b>PID 2 error</b>												
RO	Bi									NC	PT		US
⇅	±100.00 %						⇒						

<b>14.23</b>	<b>PID 1 reference scaling</b>												
<b>14.53</b>	<b>PID 2 reference scaling</b>												
RW	Uni												US
⇅	0.000 to 4.000						⇒	1.000					

<b>14.24</b>	<b>PID 1 feedback scaling</b>												
<b>14.54</b>	<b>PID 2 feedback scaling</b>												
RW	Uni											US	
⇅	0.000 to 4.000						⇒	1.000					

<b>14.25</b>	<b>PID 1 digital reference</b>												
<b>14.55</b>	<b>PID 2 digital reference</b>												
RW	Bi											NC	
⇅	±100.00 %						⇒	0.00					

<b>14.26</b>	<b>PID 1 digital feedback</b>												
<b>14.55</b>	<b>PID 2 digital feedback</b>												
RW	Bi											NC	
⇅	±100.00 %						⇒	0.00					

<b>14.27</b>	<b>PID 1 optional enable source parameter 2</b>												
RW	Uni											PT	US
⇅	0.00 to 50.99						⇒	0.00					

<b>14.28</b>	<b>PID 1 pre-sleep boost level</b>												
RW	Uni											US	
⇅	0.00 to 100.00 %						⇒	0.00					

<b>14.29</b>	<b>Maximum boost time</b>												
RW	Uni											US	
⇅	0.0 to 250.0 s						⇒	0.0					

<b>14.30</b>	<b>PID 1 pre-sleep boost level enable</b>												
RO	Bit											NC	PT
⇅	OFF (0) or On (1)						⇒						

If PID is used to control the motor output via Menu 1 and sleep mode is enabled, then the drive will automatically stop the motor when the output drops below the sleep/wake threshold. The feedback may then fall causing the output and hence the feedback to rise again. Setting Pr 14.28 and Pr 14.29 to non zero values results in the value in Pr 14.28 being added to the PID reference for a length of time defined in Pr 14.29 when the drive attempts to enter sleep mode.. This will reduce the frequency of the transitions into sleep mode. Pr 14.30 indicates when the boost system is enabled.

<b>14.38</b>	<b>PID 2 enable</b>												
RW	Uni											US	
⇅	0 to 2						⇒	0					

Parameter value	PID enable state
0	PID 2 disabled; output is zero and integrator reset to zero
1	PID 2 enabled
2	PID 2 enable state follows PID 1 enable state

### Software version V1.03.00 and earlier

<b>14.58</b>	<b>Square root scaling</b>												
RW	Uni											US	
0.000 to 4.000						1.000							

If Pr 14.58 is set a value greater than zero, then the following algorithm is applied to PID 1 feedback.

$$\text{Square root function output} = \text{Sign}(\text{Feedback}) \times 100.00\% \times 14.58 \times \sqrt{|\text{Feedback}| / 100.00\%}$$

where Sign(Feedback) is 1 if the feedback is positive or -1 if the feedback is negative.

If Pr 14.58 is set to 0.000 then this feature is disabled and the feedback remains unchanged.

### Software version V1.04.00 and later

<b>14.58</b>	<b>PID 1 feedback output scaling</b>												
RW	Uni											US	
0.000 to 4.000						0.000							

Pr 14.58 allows scaling to be applied to the combined feedback signal from PID controller 1 and PID controller 2 after the square root function has been applied.

<b>14.60</b>	<b>PID 1 Square root enable</b>												
<b>14.61</b>	<b>PID 2 Square root enable</b>												
RW	Bit											US	
OFF (0) or On (1)						OFF (0)							

<b>14.62</b>	<b>Combined PID square root enable</b>												
RW	Uni											US	
OFF (0) or On (1)						OFF (0)							

The square root functions in the feedback paths are enabled or disabled with Pr 14.60, Pr 14.61 and Pr 14.62.

When the square root function is enabled, the following algorithm is applied to the feedback.

$$\text{Square root function output} = \text{Sign}(\text{Feedback}) \times 100.00\% \times \sqrt{|\text{Feedback}| / 100.00\%}$$

where Sign(Feedback) is 1 if the feedback is positive or -1 if the feedback is negative.

<b>14.59</b>	<b>PID mode selector</b>												
RW	Uni											US	
0 to 7						0							

### Single setpoint, single feedback (Pr 14.59 = 0 or 1)

The two PID controllers operate independently. The feedback for PID2 is always from the PID2 feedback input. PID1 feedback can select one of two sensors as shown in the table below.

Parameter 14.59	Final PID1 feedback
0	PID1 feedback
1	PID2 feedback

### Single setpoint, dual feedback (Pr 14.59 = 2 to 5)

PID1 feedback is from two sensors, which can be configured as shown in the table below.

Parameter 14.59	Final PID1 feedback
2	PID1 feedback + PID2 feedback
3	Lowest of PID1 feedback and PID2 feedback
4	Highest of PID1 feedback and PID2 feedback
5	(PID1 feedback + PID2 feedback) / 2

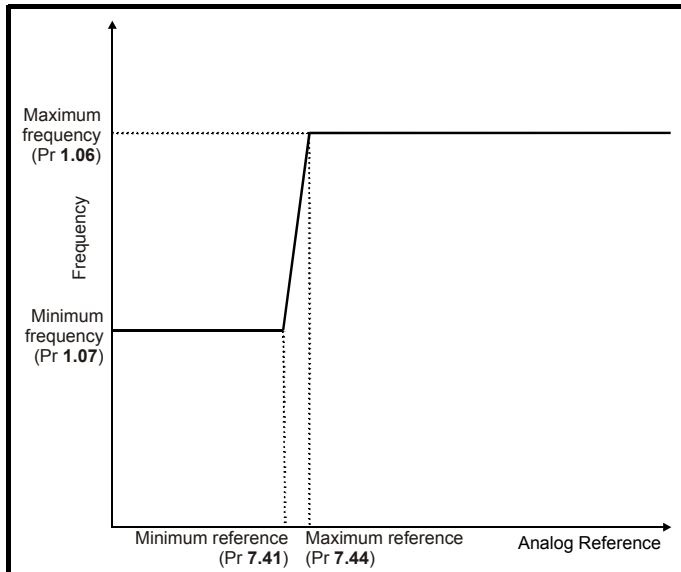
### Dual setpoint, dual feedback (Pr 14.59 = 6 to 7)

When PID mode 6 or 7 is selected the controller operates in a dual zone mode. In this mode the reference and feedback quantities from each PID controller are used to calculate two controller errors. These two errors are then checked and the zone with the larger or smaller absolute value of error (depending upon mode selected) is used as the error signal to the PID1 controller.

Parameter 14.59	PID1 Error
6	Lowest of  PID1 Error  or  PID2 Error
7	Highest of  PID1 Error  or  PID2 Error

### 11.21.5 Analog reference profile

If analog input 2 is used as a reference, then the following reference profile can be configured.



For example, if the following is required:

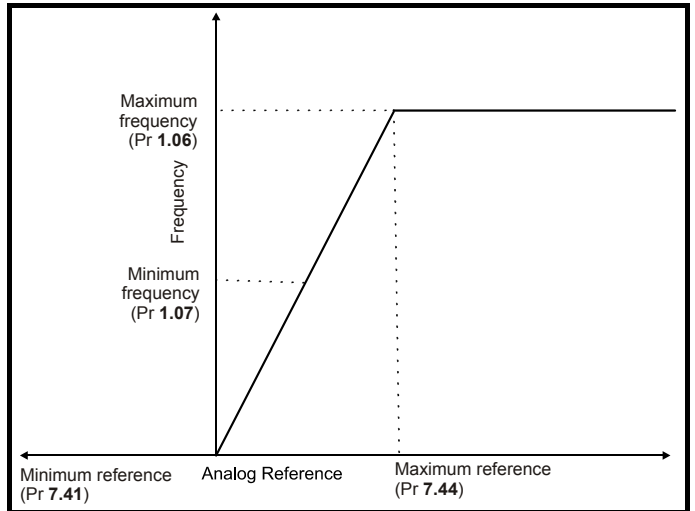
- Output frequency = 20 Hz when analog reference < 25%,
- Output frequency = 60 Hz when analog reference > 75%,
- Output frequency = linear ramp between 20 and 60 Hz when analog reference is between 25 and 75 %, then the parameters should be set as follows:
  - Pr 1.06 = 60
  - Pr 1.07 = 20
  - Pr 7.41 = 25
  - Pr 7.44 = 75

#### NOTE

If Pr 7.41 is greater than or equal to Pr 7.44, analog input 2 (Pr 7.02) will be forced to 0%, so the output frequency will always be equal to the value in Pr 1.07.

#### NOTE

If Pr 7.41 is negative and Pr 7.44 positive, the minimum reference will be forced to zero, so the profile will be as shown below.



#### NOTE

Parameters Pr 7.41 and Pr 7.44 are 8 bit parameters so these only have a resolution of 1%.

### 11.21.6 Braking Modes

2.04		Ramp mode select					
RW	Txt						US
OL	↕	FASt (0), Std (1), Std.hV (2)				⇒ Std (1)	
RFC		FASt (0), Std (1)					

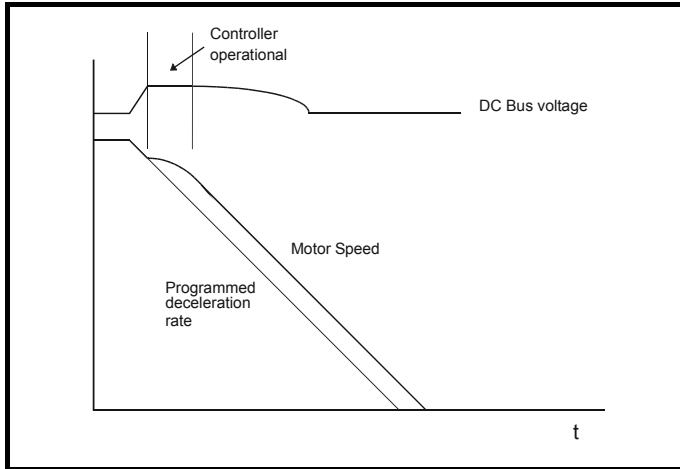
This parameter does not affect the acceleration ramp, as the ramp output always rises at the programmed acceleration rate subject to the current limits. It is possible in under some unusual circumstances in open-loop mode (i.e. highly inductive supply) for the motor to reach a low speed in standard ramp mode, but not completely stop. It is also possible if the drive attempts to stop the motor with an overhauling load in any mode that the motor will not stop when standard ramp mode or fast ramp mode is used. If the drive is in the deceleration state the rate of fall of the frequency or speed is monitored. If this does not fall for 10 seconds the drive forces the frequency or the speed reference to zero. This only applies when the drive is in the deceleration state and not when the reference is simply set to zero.

#### 0: Fast ramp

Fast ramp is used where the deceleration follows the programmed deceleration rate subject to current limits.

#### 1: Standard ramp

Standard ramp is used. During deceleration, if the voltage rises to the standard ramp level (Pr 2.08) it causes a controller to operate, the output of which changes the demanded load current in the motor. As the controller regulates the link voltage, the motor deceleration increases as the speed approaches zero speed. When the motor deceleration rate reaches the programmed deceleration rate the controller ceases to operate and the drive continues to decelerate at the programmed rate. If the standard ramp voltage (Pr 2.08) is set lower than the nominal DC Bus level the drive will not decelerate the motor, but it will coast to rest. The output of the ramp controller (when active) is a current demand that is fed to the frequency changing current controller (Open-loop modes) or the torque producing current controller (RFC). The gain of these controllers can be modified with Pr 4.13 and Pr 4.14.



## 2: Standard ramp with motor voltage boost

This mode is the same as normal standard ramp mode except that the motor voltage is boosted by 20%. This increases the losses in the motor giving faster deceleration.

2.08		Standard ramp voltage	
RW	Uni	RA	US
↕	0 to DC_VOLTAGE_SET_MAX V	⇒	200V drive: 375 400V drive: EUR > 750 USA > 775 575V drive: 895 690V drive: 1075

This voltage is used as the control level for standard ramp mode. If this parameter is set too low the machine will coast to rest, and if it is set too high and no braking resistor is used the drive may give an over-volt 'OV' trip. The minimum level should be greater than the voltage produced on the DC Bus by the highest supply voltage. Normally the DC Bus voltage will be approximately the rms supply line voltage x  $\sqrt{2}$ .



**WARNING** Care should be taken in the setting of this parameter. It is recommended that the setting should be at least 50V higher than the maximum expected level of the DC Bus voltage. If this is not done, the motor may fail to decelerate on a STOP command.

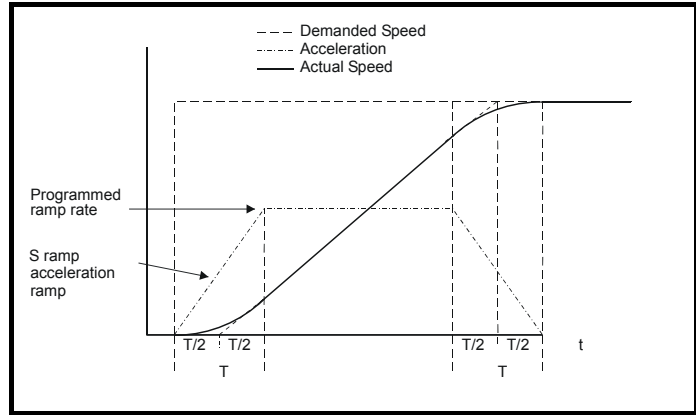
## 11.21.7 S ramps

2.06		S ramp enable	
RW	Bit	RA	US
↕	OFF (0) or On (1)	⇒	OFF (0)

Setting this parameter enables the S ramp function. S ramp is disabled during deceleration using standard ramp. When the motor is accelerated again after decelerating in standard ramp the acceleration ramp used by the S ramp function is reset to zero.

2.07		S ramp acceleration limit	
RW	Uni	RA	US
OL	0.0 to 300.0 s <sup>2</sup> /100Hz	⇒	3.1
RFC	0.000 to 100.000 s <sup>2</sup> /1000rpm	⇒	1.500

This parameter defines the maximum rate of change of acceleration/ deceleration. The default values have been chosen such that for the default ramps and maximum speed, the curved parts of the S will be 25% of the original ramp if S ramp is enabled.



Since the ramp rate is defined in s/100Hz or s/1000rpm and the S ramp parameter is defined in s<sup>2</sup>/100Hz or s<sup>2</sup>/1000rpm, the time T for the 'curved' part of the S can be determined from:

$$T = S \text{ ramp rate of change} / \text{Ramp rate}$$

Enabling S ramp increases the total ramp time by the period T since an additional T/2 is added to each end of the ramp in producing the S.

## 11.21.8 Torque modes

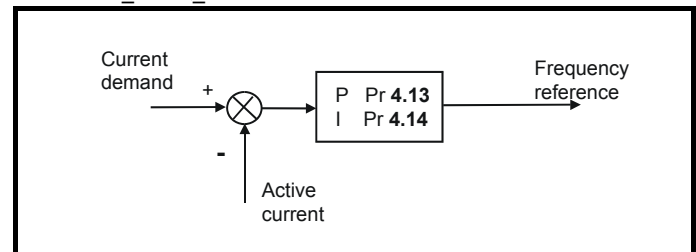
4.08		Torque reference	
RW	Bi	RA	US
↕	±USER_CURRENT_MAX %	⇒	0.00

Parameter for main torque reference. The normal update rate for the torque reference is 4ms. However if analog inputs 2 or 3 on the drive are used as the source of the reference, the drive is in RFC mode and the analog inputs are in voltage mode with zero offset, the sample time is reduced to 250µs.

4.11		Torque mode selector	
RW	Uni	RA	US
↕	0 to 1	⇒	0

### Open loop

If this parameter is 0 normal frequency control is used. If this parameter is set to 1 the current demand is connected to the current PI controller giving closed loop torque/current demand as shown below. The current error is passed through proportional and integral terms to give a frequency reference which is limited to the range: -SPEED\_FREQ\_MAX to +SPEED\_FREQ\_MAX.



### RFC

When this parameter is set to 1, 2 or 3 the ramps are not active while the drive is in the run state. When the drive is taken out of the run state, but not disabled, the appropriate stopping mode is used. It is recommended that coast stopping or stopping without ramps are used. However, if ramp stop mode is used the ramp output is pre-loaded with the actual speed at the changeover point to avoid unwanted jumps in the speed reference.

### 0: Speed control mode

The torque demand is equal to the speed loop output.

## 1: Torque control

The torque demand is given by the sum of the torque reference and the torque offset, if enabled. The speed is not limited in any way, however, the drive will trip at the overspeed threshold if runaway occurs.

## 11.21.9 Stop modes

6.01		Stop mode	
RW	Txt		US
OL	↕	COASt (0), rP (1), rP.dcl (2), dcl (3), td.dcl (4), diSAbLE (5)	⇒ rP (1)
RFC		COASt (0), rP (1), no.rP (2)	

### Open-loop

Stopping is in two distinct phases: decelerating to stop, and stopped.

Stopping Mode	Phase 1	Phase 2	Comments
0: Coast	Inverter disabled	Drive cannot be re-enabled for 1s	Delay in phase 2 allows rotor flux to decay
1: Ramp	Ramp down to zero frequency	Wait for 1s with inverter enabled	
2: Ramp followed by DC injection	Ramp down to zero frequency	Inject DC at level specified by Pr 6.06 for time defined by Pr 6.07	
3: DC injection with zero speed detection	Low frequency current injection with detection of low speed before next phase	Inject DC at level specified by Pr 6.06 for time defined by Pr 6.07	The drive automatically senses low speed and therefore it adjusts the injection time to suit the application. If the injection current level is too small the drive will not sense low speed (normally a minimum of 50-60% is required).
4: Timed DC injection braking stop	Inject DC at level specified by Pr 6.06 for time specified by Pr 6.07		
5: Disable	Inverter disabled		Allows the drive to be immediately disabled and then re-enabled again immediately if required.

Once modes 3 or 4 have begun the drive must go through the ready state before being restarted either by stopping, tripping or being disabled.

If this parameter is set to DiASbLE (5), the disable stopping mode is used when the run command is removed. This mode will allow the drive to be started immediately by re-applying the run command. However, if the drive is disabled by removing the drive enable (i.e. via the Enable input or Pr 6.15 *Drive enable*) then the drive cannot be re-enabled for 1s.

### RFC

Only one stopping phases exists and the ready state is entered as soon as the single stopping action is complete.

Stopping Mode	Action
0: Coast	Inhibits the inverter
1: Ramp	Stop with ramp
2: No ramp	Stop with no ramp

6.06		Injection braking level	
RW	Uni	RA	US
OL	↕	0.0 to 150.0 %	⇒ 100.0

Defines the current level used during DC injection braking as a percentage of motor rated current as defined by Pr 5.07.

6.07		Injection braking time	
RW	Uni		US
OL	↕	0.0 to 25.0 s	⇒ 1.0

Defines the time of injection braking during phase 1 with stopping modes 3 and 4, and during phase 2 with stopping mode 2 (see Pr 6.01).

## 11.21.10 Line power supply loss modes

6.03		Line power supply loss mode	
RW	Txt		US
	↕	diS (0), StoP (1), riDE.th (2)	⇒ diS (0)

### 0: diS

There is no line power supply loss detection and the drive operates normally only as long as the DC bus voltage remains within specification (i.e. >Vuu). Once the voltage falls below Vuu an under-voltage 'UV' trip occurs. This will reset itself if the voltage rises above Vuu Restart, as stated in the table below.

### 1: StoP - Open-loop

The action taken by the drive is the same as for ride through mode, except the ramp down rate is at least as fast as the deceleration ramp setting and the drive will continue to decelerate and stop even if the line power supply is re-applied. If normal or timed injection braking is selected the drive will use ramp mode to stop on loss of the supply. If ramp stop followed by injection braking is selected, the drive will ramp to a stop and then attempt to apply dc injection. At this point, unless the line power supply has been restored, the drive is likely to initiate a trip.

### 1: StoP - RFC

The speed reference is set to zero and the ramps are disabled allowing the drive to decelerate the motor to a stop under current limit. If the Line power supply is re-applied while the motor is stopping any run signal is ignored until the motor has stopped. If the current limit value is set very low level the drive may trip UV before the motor has stopped.

### 2: riDE.th

The drive detects line power supply loss when the DC Bus voltage falls below Vml<sub>1</sub>. The drive then enters a mode where a closed-loop controller attempts to hold the DC Bus level at Vml<sub>1</sub>. This causes the motor to decelerate at a rate that increases as the speed falls. If the line power supply is re-applied it will force the DC Bus voltage above the detection threshold Vml<sub>3</sub> and the drive will continue to operate normally. The output of the line power supply loss controller is a current demand that is fed into the current control system and therefore the gain Pr 4.13 and Pr 4.14 must be set up for optimum control. See parameters Pr 4.13 and Pr 4.14 for set-up details.



The following table shows the voltage levels used by drives with each voltage rating.

Voltage level	200V drive	400V drive	575V drive	690V drive
V <sub>uu</sub>	175	330		435
V <sub>ml1</sub>	205*	410*		540*
V <sub>ml2</sub>	V <sub>ml1</sub> - 10V	V <sub>ml1</sub> - 20V		V <sub>ml1</sub> - 25V
V <sub>ml3</sub>	V <sub>ml1</sub> + 10V	V <sub>ml1</sub> + 15V		V <sub>ml1</sub> + 50V
V <sub>uu</sub> Restart	215	425		590

\* V<sub>ml1</sub> is defined by Pr 6.48. The values in the table above are the default values.

6.48		Line power supply loss ride through detection level	
RW	Uni		
↕		0 to DC_VOLTAGE_SET_MAX V	⇒
			200V drive: 205 400V drive: 410 575V drive: 540 690V drive: 540

The line power supply loss detection level can be adjusted using this parameter. If the value is reduced below the default value, the default value is used by the drive. If the level is set too high, so that the line power supply loss detection becomes active under normal operating conditions, the motor will coast to a stop.

4.13		Current loop P gain	
RW	Uni		
OL ↕			⇒ All voltage ratings: 20
RFC ↕		0 to 30,000	⇒
			200V drive: 75 400V drive: 150 575V drive: 180 690V drive: 215

4.14		Current loop I gain	
RW	Uni		
OL ↕			⇒ All voltage ratings: 40
RFC ↕		0 to 30,000	⇒
			200V drive: 1,000 400V drive: 2,000 575V drive: 2,400 690V drive: 3,000

### Open-loop

These parameters control the proportional and integral gains of the current controller used in the open loop drive. As already mentioned the current controller either provides current limits or closed loop torque control by modifying the drive output frequency. The control loop is also used in its torque mode during line power supply loss, or when the controlled mode standard ramp is active and the drive is decelerating, to regulate the flow of current into the drive. Although the default settings have been chosen to give suitable gains for less demanding applications it may be necessary for the user to adjust the performance of the controller. The following is a guide to setting the gains for different applications.

#### Current limit operation:

The current limits will normally operate with an integral term only, particularly below the point where field weakening begins. The proportional term is inherent in the loop. The integral term must be increased enough to counter the effect of the ramp which is still active even in current limit. For example, if the drive is operating at constant frequency and is overloaded the current limit system will try to reduce the output frequency to reduce the load. At the same time the ramp will try to increase the frequency back up to the demand level. If the integral gain is increased too far the first signs of

instability will occur when operating around the point where field weakening begins. These oscillations can be reduced by increasing the proportional gain. A system has been included to prevent regulation because of the opposite actions of the ramps and the current limit. This can reduce the actual level that the current limit becomes active by 12.5%. This still allows the current to increase up to the current limit set by the user. However the current limit flag (Pr 10.09) could become active up to 12.5% below the current limit depending on the ramp rate used.

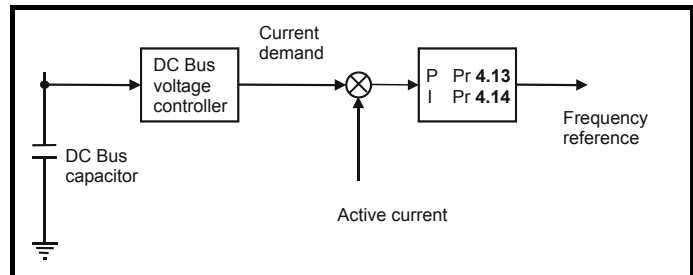
#### Torque control:

Again the controller will normally operate with an integral term only, particularly below the point where field weakening begins. The first signs of instability will appear around base speed, and can be reduced by increasing the proportional gain. The controller can be less stable in torque control mode rather than when it is used for current limiting. This is because load helps to stabilise the controller, and under torque control the drive may operate with light load. Under current limit the drive is often under heavy load unless the current limits are set at a low level.

#### Line power supply loss and controlled standard ramp:

The DC bus voltage controller becomes active if line power supply loss detection is enabled and the drive supply is lost or controlled standard ramp is being used and the machine is regenerating. The DC bus controller attempts to hold the DC bus voltage at a fixed level by controlling the flow of current from the drive inverter into its DC bus capacitors.

The output of the DC bus controller is a current demand which is fed into the current PI controller as shown in the following diagram.



Although it is not usually necessary the DC bus voltage controller can be adjusted with Pr 5.31. However, it may often be necessary to adjust the current controller gains to obtain the required performance. If the gains are not suitable it is best to set up the drive in torque control first. Set the gains to a value that does not cause instability around the point at which field weakening occurs. Then revert back to open loop speed control in standard ramp mode. To test the controller the supply should be removed while the motor is running. It is likely that the gains can be increased further if required because the DC bus voltage controller has a stabilising effect, provided that the drive is not required to operate in torque control mode.

#### RFC

The K<sub>p</sub> and K<sub>i</sub> gains are used in the voltage based current controller. The default values give satisfactory operation with most motors. However it may be necessary to change the gains to improve the performance. The proportional gain (Pr 4.13) is the most critical value in controlling the performance. Either the value can be set by auto-tuning (see Pr 5.12) or it can be set by the user so that

$$\text{Pr 4.13} = K_p = (L / T) \times (I_{fs} / V_{fs}) \times (256 / 5)$$

#### Where:

T is the sample time of the current controllers. The drive compensates for any change of sample time, and so it should be assumed that the sample time is equivalent to the lowest sample rate of 167μs.

L is the motor inductance. For an induction motor this is the per phase transient inductance (σL<sub>s</sub>). This is the inductance value stored in Pr 5.24 after the autotune test is carried out.

If  $\sigma L_s$  cannot be measured it can be calculated from the steady state per-phase equivalent circuit of the motor as follows:

$I_{fs}$  is the peak full scale current feedback =  $K_C \times \sqrt{2} / 0.45$ . Where  $K_C$  is defined in Table 11-5.

$V_{fs}$  is the maximum DC Bus voltage.

Therefore:

$$\text{Pr 4.13} = K_p = (L / 167\mu\text{s}) \times (K_C \times \sqrt{2} / 0.45 / V_{fs}) \times (256 / 5) \\ = K \times L \times K_C$$

Where:

$$K = [\sqrt{2} / (0.45 \times V_{fs} \times 167\mu\text{s})] \times (256 / 5)$$

Drive voltage rating	Vfs	K
200V	415V	2322
400V	830V	1161
575V	990V	973
690V	1190V	809

This set-up will give a step response with minimum overshoot after a step change of current reference. The approximate performance of the current controllers will be as given below. The proportional gain can be increased by a factor of 1.5 giving a similar increase in bandwidth, however, this gives a step response with approximately 12.5% overshoot.

Switching frequency kHz	Current control sample time $\mu\text{s}$	Gain bandwidth Hz	Phase delay $\mu\text{s}$
3	167	TBA	1160
4	125	TBA	875
6	83	TBA	581
8	125	TBA	625
12	83	TBA	415
16	125	TBA	625

The integral gain (Pr 4.14) is less critical and should be set so that

$$\text{Pr 4.14} = K_i = K_p \times 256 \times T / \tau_m$$

Where:

$\tau_m$  is the motor time constant (L / R).

R is the per phase stator resistance of the motor (i.e. half the resistance measured between two phases).

Therefore

$$\text{Pr 4.14} = K_i = (K \times L \times K_C) \times 256 \times 167\mu\text{s} \times R / L \\ = 0.0427 \times K \times R \times K_C$$

The above equation gives a conservative value of integral gain. In some applications where it is necessary for the reference frame used by the drive to dynamically follow the flux very closely (i.e. high speed applications) the integral gain may need to have a significantly higher value.

### 11.21.11 Catch a spinning motor

6.09		Catch a spinning motor	
RW	Uni		US
OL	↕	0 to 3	⇒ 0
RFC		0 to 1	⇒ 1

#### Open-loop

When the drive is enabled with this parameter at zero, the output frequency starts at zero and ramps to the required reference. When the drive is enabled with this parameter at a non-zero value, the drive performs a start-up test to determine the motor speed and then sets the initial output frequency to the synchronous frequency of the motor.

The test is not carried out and the motor frequency starts at zero if one of the following is true.

- The run command is given when the drive is in the stop state
- The drive is first enabled after power-up with Ur\_I voltage mode (Pr 5.14 = Ur\_I).
- The run command is given with Ur\_S voltage mode (Pr 5.14 = Ur\_S).

With default parameters the length of the test is approximately 250ms, however, if the motor has a long rotor time constant (usually large motors) it may be necessary to extend the test time. The drive will do this automatically if the motor parameters including the rated load rpm are set up correctly for the motor.

For the test to operate correctly it is important that the stator resistance (Pr 5.17 or Pr 21.12) is set up correctly. This applies even if fixed boost (Pr 5.14 = Fd) or square law (Pr 5.14 = SrE) voltage mode is being used. The test uses the rated magnetizing current of the motor during the test, therefore the rated current (Pr 5.07, Pr 21.07 and Pr 5.10, Pr 21.10) and power factor should be set to values close to those of the motor, although these parameters are not as critical as the stator resistance. For larger motors it may be necessary to increase Pr 5.40 *Spin start boost* from its default value of 1.0 for the drive to successfully detect the motor speed.

It should be noted that a stationary lightly loaded motor with low inertia might move slightly during the test. The direction of the movement is undefined. Restrictions may be placed on the direction of this movement and on the frequencies detected by the drive as follows:

Pr 6.09	Function
0	Disabled
1	Detect all frequencies
2	Detect positive frequencies only
3	Detect negative frequencies only

#### RFC

When the drive is enabled with this bit at zero, the post ramp reference (Pr 2.01) starts at zero and ramps to the required reference. When the drive is enabled with this bit at one, the post ramp reference is set to the motor speed.

If catch a spinning motor is not required, this parameter should be set to zero as this avoids unwanted movement of the motor shaft when zero speed is required. With larger motors it may be necessary to increase Pr 5.40 *Spin start boost* from its default value of 1.0 for the drive to successfully detect the motor speed.

### 11.21.12 Fast Disable

6.29		Hardware enable	
RO	Bit	NC	PT
↕		OFF (0) or On (1)	⇒

This bit is a duplicate of Pr 8.09 and reflects the state of the enable input. If the destination of one of the drive digital I/O (Pr 8.21 to Pr 8.26) is set to Pr 6.29 and the I/O is set as an input, the state of the input does not affect the value of this parameter as it is protected, however, it does provide a fast disable function.

The Enable input to the drive (T31) disables the drive in hardware by removing the gate drive signals from the inverter IGBT's and also disables the drive via the software system. When the drive is disabled by de-activating the Enable input (T31) there can be a delay of up to 20ms (typically 8ms) before the drive is disabled. However, if a digital I/O is set up to provide the fast disable function it is possible to disable the drive within 600 $\mu\text{s}$  of de-activating the input. To do this an enable signal should be given to both the Enable input (T31) and to the digital I/O selected for the fast disable function. The state of the digital I/O including the effect of its associated invert parameter is ANDed with the Enable (T31) to enable the drive.

### 11.21.13 Building automation interface

<b>17.01</b>		<b>ID number</b>											
RO	Uni									PT	US		
⇅		0 to 599					⇒						

The ID code for the building automation interface is 402.

<b>17.02</b>		<b>Software version</b>											
RO	Uni									PT	US		
⇅		0.00 to 99.99					⇒						

<b>17.51</b>		<b>Software sub version</b>											
RO	Uni									NC			
⇅		0 to 99					⇒						

Pr 17.02 and Pr 17.51 display the firmware version in the form xx.yy.zz, where xx.yy is Pr 17.02 and zz is Pr 17.51.

<b>17.03</b>		<b>MAC/Node address</b>											
RW	Uni										US		
⇅		0 to 65535					⇒				0		

#### Allowable MAC Address Values

Protocol	Minimum	Maximum
Modbus RTU	1	247
BACnet	0	127
Metasys N2	1	255

If a MAC address is selected that is greater than or less than those allowed by the currently selected protocol, then the actual address used will be the maximum valid address value.

<b>17.04</b>		<b>Baud rate</b>										
RW	Uni										US	
⇅		0 to 127					⇒				0	

This selects the baud rate used for network communication.

Pr 17.04 Value	Baud rate (bps)
0	Protocol default value (see table below)
1	1200
2	2400
3	4800
4	9600
5	19200
6	38400
7	57600
8	76800
>8	Protocol default value (see table below)

The default value when Pr 17.04 is set to 0 OR >8 is as follows:

Protocol	Default baud rate (bps)
Modbus RTU	19200
BACnet	9600
Metasys N2	

<b>17.05</b>		<b>Building automation network protocol</b>										
RW	Uni										US	
⇅		0 to 65535					⇒				0	

This selects the protocol used for the building automation network as follows:

17.05	Protocol
0	Disabled
1	Modbus RTU
2	BACnet
3	Metasys N2

If a value greater than 3 is entered for Pr 17.05 then the building automation network is disabled.

<b>17.06</b>		<b>Received message counter</b>										
RO	Uni									NC	PT	
⇅		0 to 9999					⇒					

This parameter displays the number of valid messages that have been received using the currently selected building automation protocol. If the communications settings are configured correctly then this counter will count each time a message is received, therefore if the value remains constant then there is likely to be an error in either the configuration or the wiring to the communications port.

The received message counter is reset in the following circumstances:

1. When another message is received after 9999 prior valid messages have been received
2. Upon power up

<b>17.07</b>		<b>MS/TP maximum master MAC address</b>										
RW	Bi										US	
⇅		0 to 3000					⇒				127	

#### BACnet use only

This is highest address that the drive will use when looking for the next master on the network with which token passing can be achieved.

If a value greater than 127 is entered then the value used will be 127. The parameter value will change to 127 to reflect this.

<b>17.10</b>		<b>Device object identifier</b>										
RW	Bi										US	
⇅		32767 to -32768					⇒				0	

#### BACnet use only

If this parameter is zero, then the MAC/Node address selected in Pr 17.03 will be used as the object identifier for the BACnet device; otherwise the device object identifier will be the value specified here.

If the node address is also set to zero then the device object identifier value will be set to 1.

<b>17.12</b>		<b>Communications lost detection time-out period</b>										
RW	Bi										US	
		32768 to +32,767									60	

This is the period of time in seconds that the drive will wait to see a valid communications frame on the building automation network before taking the action specified in Pr 17.13.

If the value specified is less than or equal to five then the timeout period will be adjusted to be 5 seconds.

Care must be taken to ensure that this parameter is not set to a time less than the minimum time period between frames on the network.

17.13		Communications loss action											
RW	Bi												US
32768 to +32,767												0	

The following drive actions can be effected upon detection of communications loss: -

Pr 17.13	Action	Comment
0	Do nothing	The drive will continue as it was before communications was lost
1	Trip the drive	The drive will trip when communications is lost
2	Move to a fixed speed	Preset speed 8 is used to define this speed, see below

The move to fixed speed option will only operate if the drive is configured to use preset speed 1 as the reference at the time communications is lost.

Every time there is a transition from the communications OK state to the communications lost state the reference value set in preset speed 8 will be transferred to preset speed 1 causing the drive to run at the speed defined in preset speed 8.

The drive will continue to run at this speed until such time as the user manually changes preset speed 1 via the keypad or communications returns and a new speed reference is provided via the building automation network.

17.35		CRC errors											
RO	Uni											NC	PT
0 to 2 <sup>31</sup> -1													

If an error is detected in the message header or message body then this count is incremented by one and the message disposed of.

This parameter should remain constant when the connection to the building automation network is operating correctly.

The CRC error count is reset to zero in the following circumstances:

1. When another CRC error is detected after 32767 prior errors.
2. Upon power up or drive reset

17.38		Data format											
RW	Bi												US
0 to 255												0	

This selects the data transmission format used for the selected protocol.

Pr 17.38	Description			
	Start Bits	Data Bits	Parity	Stop Bits
0	Protocol default value			
1	1	8	None	1
2	1	8	None	2
3	1	8	Even	1
4	1	8	Odd	1
>4	Protocol default value			

The default value when Pr 17.38 is set to 0 OR >4 is as follows:

Protocol	Description			
	Start bits	Data bits	Parity	Stop bits
Modbus RTU	1	8	None	2
BACnet	1	8	None	1
Metasys N2	1	8	None	1

17.39		Response turn-around time											
RW	Uni												US
0 to 255 ms												5	

#### Modbus RTU only

There will always be a finite delay between the end of a message from the host (master) and the time at which the host is ready to receive the response from the drive (slave). The drive does not respond until at least 1ms after the message has been received from the host allowing 1ms for the host to change from transmit to receive mode. This initial delay can be extended using Pr 17.39 if required.

Pr 17.39	Action
0	The transmitters are turned on and data transmission begins immediately after the initial delay (≥1ms).
1	The transmitters are turned on after the initial delay (≥1ms) and data transmission begins 1ms later.
2 or more	The transmitters are turned on after a delay of at least the time specified in Pr 17.39 and data transmission begins 1ms later.

Modbus RTU uses a silent period detection system to detect the end of a message. This silent period is either the length of time for 3.5 characters at the present baud rate or the length of time set in Pr 17.39 whichever is the longest.

17.44		Real-time clock battery low											
RO	Uni											NC	PT
0 to 255													

The real-time clock backup battery is checked upon power up and after a drive reset to determine if it should be changed. The conditions requiring battery replacement are when all power has been lost to the real-time clock while the drive was un-powered or that the battery voltage has fallen below 2.5Vdc.

If this parameter is 1 then the real-time clock backup battery should be replaced at the earliest opportunity.

The real-time clock will continue to operate as long as the drive remains powered.

For instructions of how to replace the battery of the real-time clock, refer to Figure 3-61 on page 63.

17.45		Communications OK flag											
RO	Uni											NC	
0 to 255													

This parameter has a value of 1 when the building automation network communications are OK and zero when the communications lost detection determines that an error has occurred; this is determined differently for BACnet and MetaSys as follows: -

#### BACnet

The network is monitored for the presence of an active token; should this token disappear for the time specified in parameter Pr 17.12 the drive will take the action configured in parameter Pr 17.13.

### MetaSys

The network is monitored for any message. Receipt of a valid message (regardless of intended destination) will be seen as communications being OK. If no valid message is received within time specified in Pr 17.12 the drive will take the action configured in parameter Pr 17.13. It is important to ensure that a message is placed onto the network within the configured time-out period to prevent spurious drive operation.

<b>17.50</b>		<b>Error status</b>											
RO	Uni						NC						
↕	0 to 255										⇒		

If the Solutions Module detects a fault then the drive will trip with an SL3.Er trip. The source of the trip can then be discovered from the error code written into Pr 17.50.

Possible error codes are shown in the table below:

<b>Pr 17.50</b>	<b>Description</b>
0	No error
10	Option module operating system error
20	Real-time clock error
30	IP54 cooling fan power supply fault
40	Drive to option module interface error
50	Building automation network error
74	Option module PCB over-temperature

## 12 Technical data

### 12.1 Drive technical data

#### 12.1.1 Power and current ratings (Derating for switching frequency and temperature)

Table 12-1 Summary of power and current rating tables

Table	Description	Applicable drives
Table 12-2	Maximum permissible continuous output current @ 40°C (104°F) ambient	Size 1 to 6 standard, 1 to 3 E12/E54 and 1 to 3 E12/E66
Table 12-3	Maximum permissible continuous output current @ 40°C (104°F) ambient with IP54 insert and standard fan installed	Size 1 and 2 standard
Table 12-4	Maximum permissible continuous output current @ 50°C (122°F) ambient	Size 1 to 6 standard, 1 to 3 E12/E54, and 1 to 3 E12/E66
Table 12-5	Maximum permissible continuous output current @ 35°C (95°F) ambient	Size 4 to 6 E12/54
Table 12-6	Maximum permissible continuous output current @ 40°C (104°F) ambient	Size 4 to 6 E12/54
Table 12-7	Maximum permissible continuous output current @ 45°C (113°F) ambient	Size 4 to 6 E12/54

**Table 12-2 Maximum permissible continuous output current @ 40°C (104°F) ambient for size 1 to 6 standard, size 1 to 3 E12/E54 and size 1 to 3 E12/E66 drives**

Model	Nominal rating		Maximum permissible continuous output current (A) for the following switching frequencies						
	kW	hp	3kHz	4kHz	6kHz	8kHz	12kHz	16kHz	
BA1201	1.1	1.5	5.2						
BA1202	1.5	2.0	6.8						
BA1203	2.2	3.0	9.6						
BA1204	3.0	3.0	11.0						
BA2201	4.0	5.0	15.5						
BA2202	5.5	7.5	22.0						
BA2203	7.5	10	28.0		27.9		24.8	21.8	
BA3201	11	15	42.0						
BA3202	15	20	54.0				48.5		
BA4201	18.5	25	68.0						
BA4202	22	30	80.0						
BA4203	30	40	104						
BA5201	37	50	130						
BA5202	45	60	154						
BA1401	1.1	1.5	2.8						
BA1402	1.5	2.0	3.8						
BA1403	2.2	3.0	5.0						
BA1404	3.0	5.0	6.9					5.9	
BA1405	4.0	5.0	8.8				7.4	5.7	
BA1406	5.5	7.5	11.0		10.0		7.4	5.7	
BA2401	7.5	10	15.3					12.7	10.1
BA2402	11	15	21.0		19.5	16.7	12.7	10.0	
BA2403	15	20	29.0	27.2	23.2	20.0	15.0	11.8	
BA3401	18.5	25	35.0			30.3	22.4	17.4	
BA3402	22	30	43.0		39.5	32.8	24.0	18.5	
BA3403	30	40	56.0	48.7	39.5	32.8	24.0		
BA4401	37	50	68.0			62.0			
BA4402	45	60	83.0		74.0	63.0			
BA4403	55	75	104		95.1	78.8			
BA5401	75	100	138			118	97.1		
BA5402	90	125	168	158	129	107			
BA6401	110	150	205			164.1			
BA6402	132	200	236	210.4	157.7				
BA3501	3.0	3.0	5.4						
BA3502	4.0	5.0	6.1						
BA3503	5.5	7.5	8.4						
BA3504	7.5	10	11.0						
BA3505	11	15	16.0						
BA3506	15	20	22.0		21.6	18.2			
BA3507	18.5	25	27.0	26.0	21.6	18.1			
BA4601	18.5	25	22.0						
BA4602	22	30	27.0						
BA4603	30	40	36.0				33.9		
BA4604	37	50	43.0		41.3	33.7			
BA4605	45	60	52.0	51.9	41.2	33.7			
BA4606	55	75	62.0	61.3	48.4	39.6			
BA5601	75	100	84			69	54		
BA5602	90	125	99	91	69	54			
BA6601	110	150	125	100	74				
BA6602	132	175	144	100	74				

**NOTE**

For the definition of ambient temperature, see section 3.7 *Enclosure design and drive ambient temperature* on page 47.

**Table 12-3 Maximum permissible continuous output current @ 40°C (104°F) ambient for size 1 and 2 standard drives with IP54 insert and standard fan installed**

Model	Maximum permissible continuous output current (A) for the following switching frequencies					
	3kHz	4kHz	6kHz	8kHz	12kHz	16kHz
BA1201	5.2					
BA1202	6.8					
BA1203	9.6			9.3	8.2	7.3
BA1204	11.0	10.6	9.7	9.0	7.7	6.6
BA2201	15.5					
BA2202	22.0			20.7	18.0	15.7
BA2203	24.5	23.7	22.0	20.5	17.9	15.6
BA1401	2.8					
BA1402	3.8					2.9
BA1403	5.0				3.9	2.9
BA1404	6.9		6.5	5.4	3.9	2.9
BA1405	8.3	7.3	5.8	4.7	3.2	2.3
BA1406	8.3	7.3	5.8	4.7	3.2	2.3
BA2401	15.3			13.3	10.1	7.9
BA2402	20.1	18.4	15.6	13.4	10.1	7.9
BA2403	21.7	19.7	16.4	13.9	10.2	7.7

**NOTE**

For the definition of ambient temperature, see section 3.7 *Enclosure design and drive ambient temperature* on page 47.



**Table 12-4 Maximum permissible continuous output current @ 50°C (122°F) ambient for size 1 to 6 standard, size 1 to 3 E12/E54 drives and size 1 to 3 E12/E66 drives**

Model	Maximum permissible continuous output current (A) for the following switching frequencies					
	3kHz	4kHz	6kHz	8kHz	12kHz	16kHz
BA1201	5.2					
BA1202	6.8					
BA1203	9.6					9.0
BA1204	11.0			10.9	9.5	8.3
BA2201	15.5				13.5	11.5
BA2202	19.7	18.9	17.3	15.9	13.5	11.5
BA2203	19.5	18.6	17.2	15.8	13.4	11.5
BA3201	42.0				38.2	
BA3202	54.0		52.8	47.0	38.2	
BA4201	68.0					
BA4202	80.0					
BA4203	87.4					
BA5201	130.0					
BA5202	154.0			143.2		
BA1401	2.8					
BA1402	3.8					
BA1403	5.0					3.9
BA1404	6.9				5.1	3.9
BA1405	8.8		7.3	6.0	4.2	3.1
BA1406	10.1	9.0	7.3	6.0	4.2	3.1
BA2401	15.3	14.2	11.8	10.0	7.3	5.5
BA2402	15.7	14.2	11.8	10.0	7.3	5.5
BA2403	16.8	15.0	12.2	10.1	7.1	
BA3401	35.0		31.0	25.8	18.7	14.2
BA3402	43.0	39.5	31.6	26.0	18.5	13.8
BA3403	44.5	39.5	31.6	26.0	18.5	
BA4401	68.0		66.8	54.9		
BA4402	83.0	81.6	66.8	54.9		
BA4403	86.5	86.2	71.3	59.3		
BA5401	138		105.9	87.4		
BA5402	141	140	112	92		
BA6401	191.5	190.1	147.6			
BA6402	198.4	180.6	138.1			
BA3501	5.4					
BA3502	6.1					
BA3503	8.4					
BA3504	11.0					
BA3505	16.0			14.7		
BA3506	22.0		17.8	14.7		
BA3507	24.6	22.0	17.8	14.7		
BA4601	22.0					
BA4602	27.0			24.7		
BA4603	36.0		30.7	24.7		
BA4604	43.0	39.6	30.7	24.7		
BA4605	45.6	39.5	30.7	24.7		
BA4606	51.9	44.9	34.7	27.7		
BA5601	83	69	51	40		
BA5602	83	69	51	40		
BA6601	98	81	59			
BA6602	98	81	59			

**NOTE**

For the definition of ambient temperature, see section 3.7 *Enclosure design and drive ambient temperature* on page 47.

**Table 12-5 Maximum permissible continuous output current @ 35°C (95°F) ambient for size 4 to 6 E12/54 drives**

Model	Maximum permissible continuous output current (A) for the following switching frequencies			
	3kHz	4kHz	6kHz	8kHz
BA4201-E12/54			68.0	
BA4202-E12/54			80.0	
BA4203-E12/54			104.0	
BA5201-E12/54			130.0	
BA5202-E12/54		154.0		149.6
BA4401-E12/54			68.0	
BA4402-E12/54		83.0		71.3
BA4403-E12/54	104.0		90.7	76.5
BA5401-E12/54			138.0	
BA5402-E12/54		168.0		141.1
BA6401-E12/54		205.0		
BA6402-E12/54		236.0		
BA4601-E12/54			22.0	
BA4602-E12/54			27.0	
BA4603-E12/54		36.0		31.5
BA4604-E12/54	43.0		38.74	31.5
BA4605-E12/54	52.0	49.03	38.7	31.5
BA4606-E12/54	62.0	56.1	44.1	35.8
BA5601-E12/54		84.0	63.6	50.0
BA5602-E12/54	99.0	84.8	63.6	50.0
BA6601-E12/54		125.0	116.4	
BA6602-E12/54		144.0	116.4	

**NOTE**

For the definition of ambient temperature, see section 3.7 *Enclosure design and drive ambient temperature* on page 47.

**Table 12-6 Maximum permissible continuous output current @ 40°C (104°F) ambient for size 4 to 6 E12/54 drives**

Model	Maximum permissible continuous output current (A) for the following switching frequencies			
	3kHz	4kHz	6kHz	8kHz
BA4201-E12/54			68.0	
BA4202-E12/54			80.0	
BA4203-E12/54			96.6	
BA5201-E12/54		130.0		124.1
BA5202-E12/54		154.0	144.9	124.1
BA4401-E12/54			68.0	
BA4402-E12/54		83.0	82.3	69.6
BA4403-E12/54		95.7	88.6	74.6
BA5401-E12/54		138.0	118.5	97.9
BA5402-E12/54	165.8	147.2	118.5	97.92
BA6401-E12/54		205.0	177.7	
BA6402-E12/54	236.0	215.3	162.5	
BA4601-E12/54			22.0	
BA4602-E12/54			27.0	
BA4603-E12/54		36.0		30.8
BA4604-E12/54	43.0		37.8	30.8
BA4605-E12/54	52.0	48.0	37.8	30.8
BA4606-E12/54	62.0	54.8	43.1	34.9
BA5601-E12/54	71.0	59.0	43.0	33.0
BA5602-E12/54	71.0	59.0	43.0	32.9
BA6601-E12/54	117.4	98.1	72.4	
BA6602-E12/54	117.4	98.1	72.4	

**Table 12-7 Maximum permissible continuous output current @ 45°C (113°F) ambient for size 4 to 6 E12/54 drives**

Model	Maximum permissible continuous output current (A) for the following switching frequencies			
	3kHz	4kHz	6kHz	8kHz
BA4201-E12/54		68.0		61.3
BA4202-E12/54	80.0	78.8	69.1	61.3
BA4203-E12/54	84.4	78.7	69.1	61.3
BA5201-E12/54	106.5	95.1	76.9	63.2
BA5202-E12/54	106.5	95.1	77.0	63.2
BA4401-E12/54	52.6	46.1	36.2	29.1
BA4402-E12/54	52.6	46.0	36.2	29.1
BA4403-E12/54	55.3	48.2	37.3	29.5
BA5401-E12/54	92.6	80.1	61.7	48.9
BA5402-E12/54	92.6	80.1	61.6	48.8
BA6401-E12/54	99.7	82.5	58.0	
BA6402-E12/54	91.1	72.1		
BA4601-E12/54	22.0		16.6	12.9
BA4602-E12/54	26.7	22.5	16.6	12.8
BA4603-E12/54	26.7	22.4	16.6	12.8
BA4604-E12/54	26.7	22.4	16.6	12.8
BA4605-E12/54	26.7	22.4	16.5	12.8
BA4606-E12/54	29.7	24.9	18.1	13.8
BA5601-E12/54	38.7	31.0	21.2	
BA5602-E12/54	38.7	30.9	21.3	
BA6601-E12/54	46.4	36.9	25.4	
BA6602-E12/54	46.2	36.9		

**NOTE**

For the definition of ambient temperature, see section 3.7 *Enclosure design and drive ambient temperature* on page 47.

**12.1.2 Power dissipation**

**Table 12-8 Summary of drive losses tables**

Table	Description	Applicable drives
Table 12-9	Losses @ 40°C (104°F) ambient	Size 1 to 6 standard, 1 to 3 E12/E54 and 1 to 3 E12/E66
Table 12-10	Losses @ 40°C (104°F) ambient with IP54 insert and standard fan installed	Size 1 and 2 standard
Table 12-11	Losses @ 50°C (122°F) ambient	Size 1 to 6 standard, 1 to 3 E12/E54 and 1 to 3 E12/E66
Table 12-12	Losses @ 35°C (95°F) ambient	Size 4 to 6 E12/54
Table 12-13	Losses @ 40°C (104°F) ambient	Size 4 to 6 E12/54
Table 12-14	Losses @ 45°C (113°F) ambient	Size 4 to 6 E12/54

**Table 12-9 Losses @ 40°C (104°F) ambient for size 1 to 6 standard, size 1 to 3 E12/E54 drives and size 1 to 3 E12/E66 drives**

Model	Drive losses (W) taking into consideration any current derating for the given conditions							
	Nominal rating		3kHz	4kHz	6kHz	8kHz	12kHz	16kHz
	kW	hp						
BA1201	1.1	1.5	73	75	78	82	89	96
BA1202	1.5	2.0	85	87	91	96	104	113
BA1203	2.2	3.0	107	110	116	121	132	144
BA1204	3.0	3.0	118	122	129	137	153	169
BA2201	4.0	5.0	155	161	173	186	210	235
BA2202	5.5	7.5	210	218	234	250	282	314
BA2203	7.5	10	272	282	302	320		315
BA3201	11	15	331	347	380	412	477	
BA3202	15	20	431	451	492	532	551	
BA4201	18.5	25	517	541	589	637		
BA4202	22	30	611	639	694	750		
BA4203	30	40	810	845	916	987		
BA5201	37	50	1250	1340	1540	1730		
BA5202	45	60	1500	1620	1840	1910		
BA1401	1.1	1.5	66	69	77	85	101	116
BA1402	1.5	2.0	74	78	88	97	116	135
BA1403	2.2	3.0	84	90	101	112	135	157
BA1404	3.0	5.0	102	109	123	137	166	174
BA1405	4.0	5.0	123	134	157	179	196	197
BA1406	5.5	7.5	146	160	187	198	196	197
BA2401	7.5	10	186	202	234	266	283	282
BA2402	11	15	248	269	291	286	283	281
BA2403	15	20	313		320		315	316
BA3401	18.5	25	384	420	490	489	471	462
BA3402	22	30	461	503	541	521	500	491
BA3403	30	40	583	563	535	517	498	
BA4401	37	50	714	781	914	956		
BA4402	45	60	882	961	995	970		
BA4403	55	75	1070	1158	1217	1144		
BA5401	75	100	1471	1618	1640	1560		
BA5402	90	125	1830	1881	1781	1717		
BA6401	110	150	2058	2259	2153			
BA6402	132	200	2477	2455	2255			
BA3501	3.0	3.0	127	141	168	196		
BA3502	4.0	5.0	135	150	180	209		
BA3503	5.5	7.5	163	181	218	254		
BA3504	7.5	10	197	219	263	306		
BA3505	11	15	267	296	354	412		
BA3506	15	20	362	399	475	471		
BA3507	18.5	25	448	486	477	471		
BA4601	18.5	25	409	470	590	711		
BA4602	22	30	496	568	712	857		
BA4603	30	40	660	754	941	1063		
BA4604	37	50	798	908	1083	1058		
BA4605	45	60	985	1115	1080	1058		
BA4606	55	75	1060	1179	1130	1105		
BA5601	75	100	1818	2129	2258	2203		
BA5602	90	125	2176	2320	2215	2189		
BA6601	110	150	2573	2512	2438			
BA6602	132	175	3106	2512	2438			

**Table 12-10 Losses @ 40°C (104°F) ambient for size 1 and 2 drives with IP54 insert and standard fan installed**

Model	Drive losses (W) taking into consideration any current derating for the given conditions					
	3kHz	4kHz	6kHz	8kHz	12kHz	16kHz
BA1201	73	75	78	82	89	96
BA1202	85	87	91	96	104	113
BA1203	107	110	116	118		
BA1204	118					
BA2201	155	161	173	186	210	235
BA2202	210	218	234	237		
BA2203	237					
BA1401	66	69	77	85	101	116
BA1402	74	78	88	97	116	118
BA1403	84	90	101	112	118	
BA1404	102	109	118			
BA1405	118					
BA1406	118					
BA2401	186	202	234	237		
BA2402	237					
BA2403	237					

**Table 12-11 Losses @ 50°C (122°F) ambient for standard size 1 to 6, size 1 to 3 E12/E54 and size 1 to 3 E12/E66 drives**

Model	Drive losses (W) taking into consideration any current derating for the given conditions					
	3kHz	4kHz	6kHz	8kHz	12kHz	16kHz
BA1201	73	75	78	82	89	96
BA1202	85	87	91	96	104	113
BA1203	107	110	116	121	132	137
BA1204	118	122	129	137		
BA2201	155	161	173	186	190	
BA2202	190					
BA2203	190					
BA3201	331	347	380	412	436	
BA3202	431	451	480	463	439	
BA4201	517	541	589	637		
BA4202	611	639	694	750		
BA4203	671	701	761	821		
BA5201	1250	1340	1540	1730		
BA5202	1380	1490	1700	1720		
BA1401	66	69	77	75	101	116
BA1402	74	78	88	97	116	135
BA1403	84	90	101	112	135	137
BA1404	102	109	123	137		
BA1405	123	134	137			
BA1406	137					
BA2401	186	190				
BA2402	190					
BA2403	190					
BA3401	384	420	437	423	407	396
BA3402	461	462	439	424	406	396
BA3403	470	456	436	422	405	
BA4401	714	781	898	852		
BA4402	882	944	898	852		
BA4403	877	949	912	875		
BA5401	1471	1616	1462	1411		
BA5402	1500	1644	1543	1480		
BA6401	1942	2118	1939			
BA6402	2068	2108	1997			
BA3501	127	141	168	196		
BA3502	135	150	180	209		
BA3503	163	181	218	254		
BA3504	197	219	263	306		
BA3505	267	296	354	383		
BA3506	362	399	390	384		
BA3507	405	399	390	384		
BA4601	409	470	590	711		
BA4602	496	568	712	789		
BA4603	660	754	805	789		
BA4604	798	831	805	789		
BA4605	850	831	805	789		
BA4606	871	848	816	797		
BA5601	1785	1743	1689	1657		
BA5602	1785	1743	1688	1657		
BA6601	2084	2036	1978			
BA6602	2084	2036	1978			

**Table 12-12 Losses @ 35°C (95°F) ambient for size 4 to 6 E12/54 drives**

Model	Drive losses (W) taking into consideration any current derating for the given conditions			
	3kHz	4kHz	6kHz	8kHz
BA4201-E12/54	520	540	590	640
BA4202-E12/54	610	640	690	750
BA4203-E12/54	810	850	920	990
BA5201-E12/54	1250	1340	1540	1730
BA5202-E12/54	1500	1620	1840	2000
BA4401-E12/54	710	780	910	1050
BA4402-E12/54	880	960	1120	1100
BA4403-E12/54	1070	1160		1110
BA5401-E12/54	1470	1620	1910	2210
BA5402-E12/54	1830	2010	2360	2260
BA6401-E12/54	2300	2560	3090	
BA6402-E12/54	2680	3030	3720	
BA4601-E12/54	410	470	590	710
BA4602-E12/54	500	570	710	860
BA4603-E12/54	660	750	940	990
BA4604-E12/54	800	910	1010	990
BA4605-E12/54	990	1050	1010	990
BA4606-E12/54	1060	1070	1030	1010
BA5601-E12/54	1820	2130	2090	2050
BA5602-E12/54	2180	2150	2090	2050
BA6601-E12/54	2720	3200	3870	
BA6602-E12/54	3180	3730	3870	

**Table 12-13 Losses @ 40°C (104°F) ambient for size 4 to 6 E12/54 drives**

Model	Drive losses (W) taking into consideration any current derating for the given conditions			
	3kHz	4kHz	6kHz	8kHz
BA4201-E12/54	520	540	590	640
BA4202-E12/54	610	640	690	750
BA4203-E12/54	750	780	850	910
BA5201-E12/54	1250	1340	1540	1650
BA5202-E12/54	1500	1620	1720	1650
BA4401-E12/54	710	780	910	1050
BA4402-E12/54	880	960	1110	1070
BA4403-E12/54	980	1060	1130	1090
BA5401-E12/54	1470	1620	1640	1570
BA5402-E12/54	1800	1730	1640	1570
BA6401-E12/54	2300	2560	2680	
BA6402-E12/54	2680	2760	2610	
BA4601-E12/54	410	470	590	710
BA4602-E12/54	500	570	710	860
BA4603-E12/54	660	750	940	970
BA4604-E12/54	800	910	990	970
BA4605-E12/54	990	1020	990	970
BA4606-E12/54	1060	1050	1010	980
BA5601-E12/54	1520	1490	1440	1410
BA5602-E12/54	1520	1490	1440	1410
BA6601-E12/54	2540	2480	2400	
BA6602-E12/54	2540	2480	2400	

**Table 12-14 Losses @ 45°C (113°F) ambient for size 4 to 6 E12/54 drives**

Model	Drive losses (W) taking into consideration any current derating for the given conditions			
	3kHz	4kHz	6kHz	8kHz
BA4201-E12/54	430	450	490	530
BA4202-E12/54	520	540	590	640
BA4203-E12/54	610	640	690	750
BA5201-E12/54	1000	1080	1240	1400
BA5202-E12/54	1250	1340	1430	1340
BA4401-E12/54	630	690	810	930
BA4402-E12/54	780	850	1000	1070
BA4403-E12/54	980	1060	1130	1090
BA5401-E12/54	1310	1450	1640	1570
BA5402-E12/54	1680		1550	1520
BA6401-E12/54	2000	2240	2680	
BA6402-E12/54	2380	2690	2610	
BA4601-E12/54	360	410	520	630
BA4602-E12/54	410	470	590	710
BA4603-E12/54	500	570	710	860
BA4604-E12/54	660	750	940	970
BA4605-E12/54	800	910	990	970
BA4606-E12/54	870	990	1010	980
BA5601-E12/54	1350	1490	1440	1410
BA5602-E12/54	1520	1490	1440	1410
BA6601-E12/54	2130	2480	2400	
BA6602-E12/54	2540	2480	2400	

**Table 12-15 Power losses from the front of the drive when through-panel mounted**

Frame size	Power loss
1	≤50W
2	≤75W
3	≤100W
4	≤204W
5	≤347W
6	≤480W

### 12.1.3 Supply requirements

Voltage:

BAX2XX	200V to 240V ±10%
BAX4XX	380V to 480V ±10%
BAX5XX	500V to 575V ±10%
BAX6XX	500V to 690V ±10%

Number of phases: 3

Maximum supply imbalance: 2% negative phase sequence (equivalent to 3% voltage imbalance between phases).

Frequency range: 48 to 65 Hz

For UL compliance only, the maximum supply symmetrical fault current must be limited to 100kA

#### Size 6 heatsink fan supply requirements

Nominal voltage:	24V
Minimum voltage:	23.5V
Maximum voltage:	27V
Current drawn:	3.3A
Recommended power supply:	24V, 100W, 4.5A
Recommended fuse:	4A fast blow (I <sup>2</sup> t less than 20A <sup>2</sup> s)

### 12.1.4 Line reactors

Input line reactors reduce the risk of damage to the drive resulting from poor phase balance or severe disturbances on the supply network.

Where line reactors are to be used, reactance values of approximately 2% are recommended. Higher values may be used if necessary, but may result in a loss of drive output (reduced torque at high speed) because of the voltage drop.

For all drive ratings, 2% line reactors permit drives to be used with a supply unbalance of up to 3.5% negative phase sequence (equivalent to 5% voltage imbalance between phases).

Severe disturbances may be caused by the following factors, for example:

- Power factor correction equipment connected close to the drive.
- Large DC drives having no or inadequate line reactors connected to the supply.
- Across the line (DOL) started motor(s) connected to the supply such that when any of these motors are started, the voltage dip exceeds 20%

Such disturbances may cause excessive peak currents to flow in the input power circuit of the drive. This may cause nuisance tripping, or in extreme cases, failure of the drive.

Drives of low power rating may also be susceptible to disturbance when connected to supplies with a high rated capacity.

Line reactors are particularly recommended for use with the following drive models when one of the above factors exists, or when the supply capacity exceeds 175kVA:

BA1201 BA1202 BA1203 BA1204  
BA1401 BA1402 BA1403 BA1404

Model sizes BA1405 to BA4606 have an internal DC choke and BA5201 to BA6602 have internal AC line chokes, so they do not require AC line reactors except for cases of excessive phase unbalance or extreme supply conditions.

When required each drive must have its own reactor(s). Three individual reactors or a single three-phase reactor should be used.

#### Reactor current ratings

The current rating of the line reactors should be as follows:

Continuous current rating:

Not less than the continuous input current rating of the drive.

Repetitive peak current rating:

Not less than twice the continuous input current rating of the drive.



## 12.1.5 Motor requirements

No. of phases: 3

Maximum voltage:

Affinity (200V): 240V

Affinity (400V): 480V

Affinity (575V): 575V

Affinity (690V): 690V

## 12.1.6 Temperature, humidity and cooling method

Ambient temperature operating range:

0°C to 50°C (32°F to 122°F).

Output current derating must be applied at the following ambient temperatures:

>40°C (104°F) - Size 1 to 6 standard drive and size 1 to 3 E12/E54 drive

>35°C (95°F) - Size 4 to 6 E12/E54 drive

Minimum temperature at power-up:

-15°C (5°F), the supply must be cycled when the drive has warmed up to 0°C (32°F).

Cooling method: Forced convection

Maximum humidity: 95% non-condensing at 40°C (104°F)

## 12.1.7 Storage

-40°C (-40°F) to +50°C (122°F) for long term storage, or to +70°C (158°F) for short term storage.

## 12.1.8 Altitude

Altitude range: 0 to 3,000m (9,900 ft), subject to the following conditions:

1,000m to 3,000m (3,300 ft to 9,900 ft) above sea level: de-rate the maximum output current from the specified figure by 1% per 100m (330 ft) above 1,000m (3,300 ft)

For example at 3,000m (9,900ft) the output current of the drive would have to be de-rated by 20%.

## 12.1.9 Environmental Protection Rating

The standard drives are rated to IP20/NEMA1. Drive sizes 1 to 3 conform to UL Type 1 and sizes 4 to 6 are Open Class. If the optional conduit box is installed (see section 3.5 *Mounting methods* on page 29), then sizes 4 to 6 conform to UL Type 1.

The E12/E54 drives are rated to IP54/NEMA12 and conform to UL Type 12.

The E12/E66 drives are rated to IP66/NEMA12 and conform to UL Type 12.

The standard drive can be configured to increase its protection rating to IP54/NEMA 12 for through-panel mounting (refer to section 3.8 *Enclosing standard drive for high environmental protection* on page 48).

The IP rating of a product is a measure of protection against ingress and contact to foreign bodies and water. It is stated as IP XX, where the two digits (XX) indicate the degree of protection provided as shown in Table 12-16.

Table 12-16 IP Rating degrees of protection

First digit		Second digit	
Protection against contact and ingress of foreign bodies		Protection against ingress of water	
0	No protection	0	No protection
1	Protection against large foreign bodies $\phi > 50\text{mm}$ (large area contact with the hand)	1	Protection against vertically falling drops of water
2	Protection against medium size foreign bodies $\phi > 12\text{mm}$ (finger)	2	Protection against spraywater (up to 15° from the vertical)
3	Protection against small foreign bodies $\phi > 2.5\text{mm}$ (tools, wires)	3	Protection against spraywater (up to 60° from the vertical)
4	Protection against granular foreign bodies $\phi > 1\text{mm}$ (tools, wires)	4	Protection against splashwater (from all directions)
5	Protection against dust deposit, complete protection against accidental contact.	5	Protection against heavy splash water (from all directions, at high pressure)
6	Protection against dust ingress, complete protection against accidental contact.	6	Protection against deckwater (e.g. in heavy seas)
7	-	7	Protection against immersion
8	-	8	Protection against submersion

Table 12-17 UL / NEMA enclosure ratings

UL Type / NEMA rating	Description
1	Enclosures are intended for indoor use, primarily to provide a degree of protection against limited amounts of falling dirt.
12	Enclosures are intended for indoor use, primarily to provide a degree of protection against dust, falling dirt and dripping non-corrosive liquids.

## 12.1.10 Corrosive gasses

Concentrations of corrosive gasses must not exceed the levels given in:

- Table A2 of EN 50178
- Class 3C2 of IEC 60721-3-3

This corresponds to the levels typical of urban areas with industrial activities and/or heavy traffic, but not in the immediate neighborhood of industrial sources with chemical emissions.

## 12.1.11 Vibration

Maximum recommended continuous vibration level 0.14 g r.m.s. broad-band 5 to 200 Hz.

### NOTE

This is the limit for broad-band (random) vibration. Narrow-band vibration at this level which coincides with a structural resonance could result in premature failure.

### Bump Test

Testing in each of three mutually perpendicular axes in turn.

Referenced standard: IEC 60068-2-29: Test Eb:

Severity: 18g (size 1 to 3), 6ms, half sine

10g (size 4 to 6), 6ms, half sine

No. of Bumps: 600 (100 in each direction of each axis)

### Random Vibration Test

Testing in each of three mutually perpendicular axes in turn.

Referenced standard: IEC 60068-2-64: Test Fh:

Severity: 1.0 m<sup>2</sup>/s<sup>3</sup> (0.01 g<sup>2</sup>/Hz) ASD from 5 to 20 Hz

-3 dB/octave from 20 to 200 Hz

Duration: 30 minutes in each of 3 mutually perpendicular axes.

### Sinusoidal Vibration Test

Testing in each of three mutually perpendicular axes in turn.  
Referenced standard: IEC 60068-2-6: Test Fc:  
Frequency range: 5 to 500 Hz  
Severity: 3.5 mm peak displacement from 5 to 9 Hz  
10 m/s<sup>2</sup> peak acceleration from 9 to 200 Hz  
15 m/s<sup>2</sup> peak acceleration from 200 to 500 Hz  
Sweep rate: 1 octave/minute  
Duration: 15 minutes in each of 3 mutually perpendicular axes.

### 12.1.12 Starts per hour

By electronic control: unlimited  
By interrupting the AC supply: ≤20 (equally spaced)

### 12.1.13 Start up time

This is the time taken from the moment of applying power to the drive, to the drive being ready to run the motor:

Sizes 1 to 6: 4s

### 12.1.14 Output frequency / speed range

Open-loop frequency range: 0 to 3,000Hz

RFC speed range: 0 to 40,000rpm

RFC frequency range: 0 to 1,250Hz\*

\*(Limit to ~400Hz for good performance in RFC mode)

### 12.1.15 Accuracy and resolution

#### Speed:

The absolute frequency and speed accuracy depends on the accuracy of the crystal used with the drive microprocessor. The accuracy of the crystal is 100ppm, and so the absolute frequency/speed accuracy is 100ppm (0.01%) of the reference, when a preset speed is used. If an analog input is used the absolute accuracy is further limited by the absolute accuracy of the analog input.

The following data applies to the drive only; it does not include the performance of the source of the control signals.

#### Open loop resolution:

Preset frequency reference: 0.1Hz

Precision frequency reference: 0.001Hz

#### RFC resolution

Preset speed reference: 0.1rpm

Precision speed reference: 0.001rpm

Analog input 1: 16bit plus sign

Analog input 2: 10bit plus sign

#### Current:

The resolution of the current feedback is 10bit plus sign. The accuracy of the current feedback is typically 2%, worst case 5%.

### 12.1.16 Acoustic noise

The heatsink fan generates the majority of the acoustic noise produced by the drive. The heatsink fan on size 1 and 2 is a dual speed fan and on size 3 to 6 it is a variable speed fan. The drive controls the speed at which the fan runs based on the temperature of the heatsink and the drive's thermal model system. On size 4 to 6 the minimum speed of the heatsink fan is 0 rpm. The size 3 to 6 is also installed with a variable speed fan to ventilate the capacitor bank.

Table 12-18 gives the acoustic noise produced by the drive for the heatsink fan running at the maximum and minimum speeds.

**Table 12-18 Acoustic noise data for wall mounted drives**

Size	Max speed SPL dBA @ 1m	Min speed dBA
1	48	28
2	54	35
3	56	43
4	53	
5	72	
6	72	

### 12.1.17 Overall dimensions

H Height including surface mounting brackets  
W Width  
D Projection forward of panel when surface mounted  
F Projection forward of panel when through-panel mounted  
R Projection rear of panel when through-panel mounted

**Table 12-19 Overall standard drive dimensions**

Size	Dimension				
	H	W	D	F	R
1	386mm (15.197in)	100mm (3.937in)	219mm (8.622in)	139mm (5.472in)	≤80mm (3.150in)
2	389mm (15.315in)	155mm (6.102in)			
3		250mm (9.843in)	260mm (10.236in)	140mm (5.512in)	≤120mm (4.724in)
4	547mm (21.528in)	310mm (12.205in)	298mm (11.732in)	200mm (7.874in)	≤98mm (3.858in)
5	858mm (33.752in)				
6	1169mm (46.016in)				

**Table 12-20 Overall wall mounted standard drive dimensions with conduit box installed**

Size	Dimension		
	H	W	D
1	473mm (18.612in)	100mm (3.937in)	219mm (8.622in)
2	468mm (18.425in)	155mm (6.102in)	
3	551mm (21.698in)	250mm (9.843in)	260mm (10.236in)
4	839mm (33.046in)	310mm (12.205in)	298mm (11.732in)
5	1150mm (45.27in)		
6	1460mm (57.467in)		

**Table 12-21 Overall E12/E54 and E12/E66 drive dimensions**

Size	Dimension		
	H	W	D
1	560.1mm (22.05in)	184.0mm (7.24in)	263.7mm (10.38in)
2	552.3mm (21.74in)	236.0mm (9.29in)	261.9mm (10.31in)
3	543.6mm (21.40in)	331.3mm (13.04in)	302mm (11.89in)
4	703mm (27.7in)	386mm (15.2in)	346mm (13.6in)
5	1211mm (47.7in)	416mm (16.4in)	347mm (13.7in)
6	1522mm (60in)	416mm (16.4in)	348mm (13.7in)

## 12.1.18 Weights

Table 12-22 Overall drive weights

Size	Model	kg	lb
1	BA1201 to BA1204, BA1401 to BA1404	5	11.0
	BA1405 and BA1406	5.8	12.8
2	All	7	15.4
3	All	15	33.1
4	All	30	66.1
5	All	55	121.3
6	All	75	165.3

Table 12-23 Overall E12/E54 drive weights

Size	kg	lb
1	9	20
2	12	26.5
3	25	55
4	40	88
5	70	154
6	90	198

Table 12-25 Size 1 to 3 input current, fuse and cable size ratings

Model	Typical input current  A	Maximum continuous input current  A	European cable size EN60204			USA cable size UL508C		
			Fuse rating IEC gG  A	Input  mm <sup>2</sup>	Output  mm <sup>2</sup>	Fuse rating Class CC<30A Class J >30A  A	Input  AWG	Output  AWG
			BA1201	7.1	9.5	10	1.5	1.0
BA1202	9.2	11.3	12	1.5	1.0	15	14	16
BA1203	12.5	16.4	20	4.0	1.0	20	12	14
BA1204	15.4	19.1	20	4.0	1.5	20	12	14
BA2201	13.4	18.1	20	4.0	2.5	20	12	14
BA2202	18.2	22.6	25	4.0	4.0	25	10	10
BA2203	24.2	28.3	32	6.0	6.0	30	8	8
BA3201	35.4	43.1	50	16	16	45	6	6
BA3202	46.8	54.3	63	25	25	60	4	4
BA1401	4.1	4.8	8	1.0	1.0	8	16	22
BA1402	5.1	5.8	8	1.0	1.0	8	16	20
BA1403	6.8	7.4	8	1.0	1.0	10	16	18
BA1404	9.3	10.6	12	1.5	1.0	15	14	16
BA1405	10	11	12	1.5	1.0	15	14	14
BA1406	12.6	13.4	16	2.5	1.5	15	14	14
BA2401	15.7	17	20	4.0	2.5	20	12	14
BA2402	20.2	21.4	25	4.0	4.0	25	10	10
BA2403	26.6	27.6	32	6.0	6.0	30	8	8
BA2404	26.6	27.6	32	6.0	6.0	30	8	8
BA3401	34.2	36.2	40	10	10	40	6	6
BA3402	40.2	42.7	50	16	16	45	6	6
BA3403	51.3	53.5	63	25	25	60	4	4
BA3501	5.0	6.7	8	1.0	1.0	10	16	18
BA3502	6.0	8.2	10	1.0	1.0	10	16	16
BA3503	7.8	11.1	12	1.5	1.0	15	14	14
BA3504	9.9	14.4	16	2.5	1.5	15	14	14
BA3505	13.8	18.1	20	4.0	2.5	20	12	14
BA3506	18.2	22.2	25	4.0	4.0	25	10	10
BA3507	22.2	26.0	32	6.0	6.0	30	8.0	8.0

### NOTE

Cable sizes are from IEC60364-5-52:2001 table A.52.C with correction factor for 40°C ambient of 0.87 (from table A52.14) for cable installation method B2 (multicore cable in conduit).

Only PVC insulated cables should be used.

Cable size may be reduced if a different installation method is used, or if the ambient temperature is lower.

## 12.1.19 Input current, fuse and cable size ratings

The input current is affected by the supply voltage and impedance.

### Typical input current

The values of typical input current are given to aid calculations for power flow and power loss.

The values of typical input current are stated for a balanced supply.

### Maximum continuous input current

The values of maximum continuous input current are given to aid the selection of cables and fuses. These values are stated for the worst case condition with the unusual combination of stiff supply with bad balance. The value stated for the maximum continuous input current would only be seen in one of the input phases. The current in the other two phases would be significantly lower.

The values of maximum input current are stated for a supply with a 2% negative phase-sequence imbalance and rated at the maximum supply fault current given in Table 12-24.

Table 12-24 Supply fault current used to calculate maximum input currents

Model	Symmetrical fault level (kA)
All	100

**Table 12-26 Size 4 and larger input current, fuse and cable size ratings**

Model	Typical input current	Maximum input current	Fuse option 1		Fuse option 2 semiconductor fuse in series with HRC fuse or breaker		Cable size			
			IEC class gR	North America: Ferraz HSJ	HRC IEC class gG UL class J	Semi-conductor IEC class aR	EN60204		UL508C	
			A	A	A	A	Input mm <sup>2</sup>	Output mm <sup>2</sup>	Input AWG	Output AWG
BA4201	62.1	68.9	100	90	90	160	25	25	3	3
BA4202	72.1	78.1	100	100	100	160	35	35	3	3
BA4203	94.5	99.9	125	125	125	200	70	70	1	1
BA5201	116	142	200	175	160	200	95	95	2/0	2/0
BA5202	137	165	250	225	200	250	120	120	4/0	4/0
BA4401	61.2	62.3	80	80	80	160	25	25	3	3
BA4402	76.3	79.6	100	110	100	200	35	35	2	2
BA4403	94.1	97.2	125	125	125	200	70	70	1	1
BA5401	126	131	200	175	160	200	95	95	2/0	2/0
BA5402	152	156	250	225	200	250	120	120	4/0	4/0
BA6401	224	241	315	300	250	315	2 x 70	2 x 70	2 x 2/0	2 x 2/0
BA6402	247	266	315	300	300	350	2 x 95	2 x 95	2 x 4/0	2 x 4/0
BA4601	23	26.5	63	60	32	125	4	4	10	10
BA4602	26.1	28.8	63	60	40	125	6	6	8	8
BA4603	32.9	35.1	63	60	50	125	10	10	8	8
BA4604	39	41	63	60	50	125	16	16	6	6
BA4605	46.2	47.9	63	60	63	125	16	16	6	6
BA4606	55.2	56.9	80	60	63	125	25	25	4	4
BA5601	75.5	82.6	125	100	90	160	35	35	2	2
BA5602	89.1	94.8	125	100	125	160	50	50	1	1
BA6601	128	138	200	200	200	200	2 x 50	2 x 50	2 x 1	2 x 1
BA6602	144	156	200	200	200	200	2 x 50	2 x 50	2 x 1	2 x 1

**NOTE**

Cable sizes are from IEC60364-5-52:2001 table A.52.C with correction factor for 40°C ambient of 0.87 (from table A52.14) for cable installation method B2 (multicore cable in conduit).

Only PVC insulated cables should be used.

Cable size may be reduced if a different installation method is used, or if the ambient temperature is lower.

The recommended cable sizes above are only a guide. The mounting and grouping of cables affects their current-carrying capacity, in some cases smaller cables may be acceptable but in other cases a larger cable is required to avoid excessive temperature or voltage drop. Refer to local wiring regulations for the correct size of cables.

**Inrush current**

The drive will have an inrush current during power-up, the peak inrush is limited to the value shown below:

BA120X	18 A peak
BA140X	35 A peak
BA220X	12 A peak
BA240X	24 A peak
BA320X	8 A peak
BA340X	14 A peak
BA350X	18 A peak

For sizes 4 to 6, the inrush current is limited by a controlled rectifier to below the rated current of the drive.

**NOTE**

The inrush current for all drives after a brown-out can be larger than the power-up inrush.

**12.1.20 Maximum motor cable lengths**

**Table 12-27 Maximum motor cable lengths (200V drives)**

200V Nominal AC supply voltage						
Model	Maximum permissible motor cable length for each of the following frequencies					
	3kHz	4kHz	6kHz	8kHz	12kHz	16kHz
BA1201	65m (210ft)					37m (120ft)
BA1202	100m (330ft)					
BA1203	130m (425ft)			75m (245ft)	50m (165ft)	
BA1204	200m (660ft)	150m (490ft)	100m (330ft)			
BA2201						
BA2202						
BA2203						
BA3201	250m (820ft)	185m (607ft)	125m (410ft)	90m (295ft)		
BA3202						
BA4201	250m (820ft)	185m (607ft)	125m (410ft)	90m (295ft)		
BA4202						
BA4203						
BA5201	250m (820ft)	185m (607ft)	125m (410ft)	90m (295ft)		
BA5202						

**Table 12-28 Maximum motor cable lengths (400V drives)**

400V Nominal AC supply voltage						
Model	Maximum permissible motor cable length for each of the following frequencies					
	3kHz	4kHz	6kHz	8kHz	12kHz	16kHz
BA1401	65m (210ft)					
BA1402	100m (330ft)					
BA1403	130m (425ft)					
BA1404	200m (660ft)	150m (490ft)	100m (330ft)	75m (245ft)	50m (165ft)	37m (120ft)
BA1405						
BA1406						
BA2401						
BA2402						
BA2403						
BA2404						
BA3401						
BA3402						
BA3403						
BA4401	250m (820ft)	185m (607ft)	125m (410ft)	90m (295ft)		
BA4402						
BA4403						
BA5401						
BA5402						
BA6401						
BA6402						

**Table 12-29 Maximum motor cable lengths (575V drives)**

575V Nominal AC supply voltage						
Model	Maximum permissible motor cable length for each of the following frequencies					
	3kHz	4kHz	6kHz	8kHz	12kHz	16kHz
BA3501	200m (660ft)	150m (490ft)	100m (330ft)	75m (245ft)		
BA3502						
BA3503						
BA3504						
BA3505						
BA3506						
BA3507						

**Table 12-30 Maximum motor cable lengths (690V drives)**

690V Nominal AC supply voltage						
Model	Maximum permissible motor cable length for each of the following frequencies					
	3kHz	4kHz	6kHz	8kHz	12kHz	16kHz
BA4601	250m (820ft)	185m (607ft)	125m (410ft)	90m (295ft)		
BA4602						
BA4603						
BA4604						
BA4605						
BA4606						
BA5601						
BA5602						
BA6601						
BA6602						

- Cable lengths in excess of the specified values may be used only when special techniques are adopted; refer to the supplier of the drive.
- The default switching frequency is 3kHz for Open-loop and RFC. The maximum cable length is reduced from that shown in Table 12-

27 and Table 12-28 if high capacitance motor cables are used. For further information, refer to *High-capacitance cables* on page 73.

**12.1.21 Braking resistor values**

**Table 12-31 Minimum resistance values and peak power rating for the braking resistor at 40°C (104°F)**

Model	Minimum resistance* $\Omega$	Instantaneous power rating kW
BA1201 to BA1203	43	3.5
BA1204	29	5.3
BA2201 to BA2203	18	8.9
BA3201 to BA3202	5	30.3
BA4201 to BA4203	5	30.3
BA5201 to BA5202	3.5	53
BA1401 to BA1404	74	8.3
BA1405 to BA1406	58	10.6
BA2401 to BA2403	19	33.1
BA3401 to BA3403	18	35.5
BA4401 to BA4402	11	55.3
BA4403	9	67.6
BA5401 to BA5402	7	86.9
BA6401 to BA6402	5	122
BA3501 to BA3507	18	50.7
BA4601 to BA4606	13	95
BA5601 to BA5602	10	125
BA6601 to BA6602	10	122

\* Resistor tolerance:  $\pm 10\%$

**12.1.22 Torque settings**

**Table 12-32 Drive control and relay terminal data**

Model	Connection type	Torque setting
All	Plug-in terminal block	0.5 N m 0.4 lb ft

**Table 12-33 Drive power terminal data**

Model size	AC terminals	High current DC and braking	Low voltage DC	Ground terminal
1	Plug-in terminal block 1.5 N m (1.1 lb ft)	Terminal block (M4 screws) 1.5 N m (1.1 lb ft)		Stud (M5) 4.0 N m 2.9 lb ft
2		Terminal block (M5 screws) 1.5 N m (1.1 lb ft)	Terminal block (M4 screws) 1.5 N m (1.1 lb ft)	
3	Terminal block (M6 screws) 2.5 N m 1.8 lb ft			
4	M10 stud 15 N m (11.1 lb ft)			M10 stud 15 N m (11.1 lb ft)
5				
6				
Torque tolerance				$\pm 10\%$

**Table 12-34 Wall mounted drive power terminal data**

Model size	AC terminals		High current DC and braking		Ground terminal	
	Term.	Max torque	Term.	Max torque	Term.	Max torque
1	Plug-in terminal block	1.5 N m (1.1 lb ft)	Terminal block (M4 screws)	1.5 N m (1.1 lb ft)	M5 stud	4.0 N m (1.9 lb ft)
2	Plug-in terminal block	1.5 N m (1.1 lb ft)	Terminal block (M5 screws)	1.5 N m (1.1 lb ft)	M5 stud	4.0 N m (1.9 lb ft)
3	Terminal block (M6 screws)	2.5 N m (1.8 lb ft)	Terminal block (M6 screws)	2.5 N m (1.8 lb ft)	M6 bolt	4.0 N m (1.9 lb ft)
4	M10 stud	15 N m (11.1 lb ft)	M10 stud	15 N m (11.1 lb ft)	M10 stud	12.0 N m (8.8 lb ft)
5	M10 stud	15 N m (11.1 lb ft)	M10 stud	15 N m (11.1 lb ft)	M10 stud	4.0 N m (1.9 lb ft)
6	M10 stud	15 N m (11.1 lb ft)	M10 stud	15 N m (11.1 lb ft)	M10 stud	4.0 N m (1.9 lb ft)

**Table 12-35 Plug-in terminal block maximum cable sizes**

Model size	Terminal block description	Max cable size
All	BAN connector	1.5 mm <sup>2</sup> (16 AWG)

### 12.1.23 Electromagnetic compatibility (EMC)

This is a summary of the EMC performance of the drive. For full details, refer to the *EMC Data Sheet* which can be obtained from the supplier of the drive.

**Table 12-36 Immunity compliance**

Standard	Type of immunity	Test specification	Application	Level
IEC61000-4-2 EN61000-4-2	Electrostatic discharge	6kV contact discharge 8kV air discharge	Module enclosure	Level 3 (industrial)
IEC61000-4-3 EN61000-4-3	Radio frequency radiated field	10V/m prior to modulation 80 - 1000MHz 80% AM (1kHz) modulation	Module enclosure	Level 3 (industrial)
IEC61000-4-4 EN61000-4-4	Fast transient burst	5/50ns 2kV transient at 5kHz repetition frequency via coupling clamp	Control lines	Level 4 (industrial harsh)
		5/50ns 2kV transient at 5kHz repetition frequency by direct injection	Power lines	Level 3 (industrial)
IEC61000-4-5 EN61000-4-5	Surges	Common mode 4kV 1.2/50µs waveshape	AC supply lines: line to ground	Level 4
		Differential mode 2kV 1.2/50µs waveshape	AC supply lines: line to line	Level 3
		Lines to ground	Signal ports to ground <sup>1</sup>	Level 2
IEC61000-4-6 EN61000-4-6	Conducted radio frequency	10V prior to modulation 0.15 - 80MHz 80% AM (1kHz) modulation	Control and power lines	Level 3 (industrial)
IEC61000-4-11 EN61000-4-11	Voltage dips and interruptions	-30% 10ms +60% 100ms -60% 1s <-95% 5s	AC power ports	
EN 61000-6-1:2007 IEC61000-6-1 EN61000-6-1	Generic immunity standard for the residential, commercial and light - industrial environment			Complies
EN 61000-6-2:2005 IEC61000-6-2 EN61000-6-2	Generic immunity standard for the industrial environment			Complies
EN 61800-3:2004 IEC61800-3 EN 61800-3:2004	Product standard for adjustable speed power drive systems (immunity requirements)			Meets immunity requirements for first and second environments

<sup>1</sup> See *Surge immunity of control circuits - long cables and connections outside a building* on page 84 for control ports for possible requirements regarding grounding and external surge protection

#### Emission

The drive contains an in-built filter for basic emission control. An additional optional external filter provides further reduction of emission. The requirements of the following standards are met, depending on the motor cable length and switching frequency.

**Table 12-37 Size 1 emission compliance**

Motor cable length (m)	Switching frequency (kHz)					
	3	4	6	8	12	16
Using internal filter:						
0 to 4	E2U			E2R		
>4				E2R		
Using internal filter and external ferrite ring:						
0 to 10		E2U			E2R	
> 10				E2R		
Using external filter:						
0 to 25		R			I	
25 to 75			I			
75 to 100		I				

**Table 12-38 Size 2 emission compliance**

Motor cable length (m)	Switching frequency (kHz)					
	3	4	6	8	12	16
Using internal filter:						
Any				E2R		
Using internal filter and external ferrite ring:						
0 to 4		E2U			E2R	
4 to 10	E2U			E2R		
> 10				E2R		
Using external filter:						
0 to 25		R			I	
25 to 75			I			Do not use
75 to 100		I				Do not use

**Table 12-39 Size 3 emission compliance**

Motor cable length (m)	Switching frequency (kHz)				
	3	4	6	8	12
Using internal filter:					
Any				E2R	
Using external filter:					
0 to 20	R			I	
20 to 50				I	
50 to 75			I		Do not use
75 to 100	I				Do not use

**Table 12-40 Size 4 (200V & 400V) emission compliance**

Motor cable length (m)	Switching frequency (kHz)			
	3	4	6	8
Using internal filter:				
Any				E2R
Using external filter:				
0 to 25				I
25 to 50				I
50 to 75	I			E2U
75 to 100	I			E2U

**Table 12-41 Size 4 (690V) emission compliance**

Motor cable length (m)	Switching frequency (kHz)			
	3	4	6	8
Using internal filter:				
Any				E2R
Using external filter:				
0 to 25				I
25 to 50		I		E2U
50 to 75		I		E2U
75 to 100		I		E2U

**Table 12-42 Size 5 (400V) emission compliance**

Motor cable length (m)	Switching frequency (kHz)			
	3	4	6	8
Using internal filter:				
100				E2U
Using external filter:				
0 to 100				I

**Table 12-43 Size 5 (690V) emission compliance**

Motor cable length (m)	Switching frequency (kHz)			
	3	4	6	8
Using internal filter:				
100				E2R
Using external filter:				
0 to 25				I
0 to 100		I		Do not use

**Table 12-44 Size 6 (400V only) emission compliance**

Motor cable length (m)	Switching frequency (kHz)		
	3	4	6
Using internal filter:			
0 to 100			E2U
100 to max*			E2R
Using external filter:			
0 to 100			I

\*Refer to section 12.1.20 *Maximum motor cable lengths* on page 236.


**Table 12-45 Size 6 (690V only) emission compliance**

Motor cable length (m)	Switching frequency (kHz)		
	3	4	6
Using internal filter:			
0 to 100	E2U		
100 to max*	E2R		
Using external filter:			
0 to 25	I		
0 to 100	I	Do not use	

\*Refer to section 12.1.20 *Maximum motor cable lengths* on page 236.

**Key** (shown in decreasing order of permitted emission level):

- E2R EN 61800-3:2004 second environment, restricted distribution (Additional measures may be required to prevent interference)
- E2U EN 61800-3:2004 second environment, unrestricted distribution
- I Industrial generic standard EN 61000-6-4:2007  
EN 61800-3:2004 first environment restricted distribution (The following caution is required by EN 61800-3:2004)



This is a product of the restricted distribution class according to IEC 61800-3. In a residential environment this product may cause radio interference in which case the user may be required to take adequate measures.

**CAUTION**

- R Residential generic standard EN 61000-6-3:2007  
EN 61800-3:2004 first environment unrestricted distribution

EN 61800-3:2004 defines the following:

- The first environment is one that includes residential premises. It also includes establishments directly connected without intermediate transformers to a low-voltage power supply network which supplies buildings used for residential purposes.
- The second environment is one that includes all establishments other than those directly connected to a low-voltage power supply network which supplies buildings used for residential purposes.
- Restricted distribution is defined as a mode of sales distribution in which the manufacturer restricts the supply of equipment to suppliers, customers or users who separately or jointly have technical competence in the EMC requirements of the application of drives.

## 12.2 Optional external EMC filters

**Table 12-46 EMC filter cross reference**

Drive	Schaffner	Epcos
	CT part no.	CT part no.
BA1201 to BA1202	4200-6118	4200-6121
BA1203 to BA1204	4200-6119	4200-6120
BA2201 to BA2203	4200-6210	4200-6211
BA3201 to BA3202	4200-6307	4200-6306
BA4201 to BA4203	4200-6406	4200-6405
BA5201 to BA5202	4200-6503	4200-6501
BA1401 to BA1404	4200-6118	4200-6121
BA1405 to BA1406	4200-6119	4200-6120
BA2401 to BA2403	4200-6210	4200-6211
BA3401 to BA3403	4200-6305	4200-6306
BA4401 to BA4403	4200-6406	4200-6405
BA5401 to BA5402	4200-6503	4200-6501
BA6401 to BA6402	4200-6603	4200-6601
BA3501 to BA3507	4200-6309	4200-6308
BA4601 to BA4606	4200-6408	4200-6407
BA5601 to BA5602	4200-6504	4200-6502
BA6601 to BA6602	4200-6604	4200-6602

**Table 12-47 IP54 EMC filter cross reference**

Drive	CT Part number
BA1201 to BA1202	4200-6125
BA1203 to BA1204	4200-6124
BA1401 to BA1404	4200-6125
BA1405 to BA1406	4200-6124
BA2201 to BA2203	4200-6218
BA2401 to BA2403	4200-6218
BA3201 to BA3202	4200-6319
BA3401 to BA3403	4200-6318
BA3501 to BA3502	4200-6320



## 12.2.1 EMC filter ratings

Table 12-48 Optional external EMC filter details

CT part number	Manufacturer	Maximum continuous current		Voltage rating V	IP rating	Power dissipation at rated current W	Ground leakage		Discharge resistors		
		@ 40°C (104°F) A	@ 50°C (122°F) A				Balanced supply phase-to-phase and phase-to-ground mA	Worst case mA			
4200-6125	Schaffner	10	10	480	54	8.1	29.4	153	See Note 1		
4200-6124		16	16			15	38.8	227			
4200-6218		32	28.2			23	38.0	206			
4200-6318		62	56.6			42	73.0	384			
4200-6319		75	68.5	240	52	24.0	170	See Note 3			
4200-6320		30	30	575	12.4	102.0	557				
4200-6118		Schaffner	10	10	480	20	6.9	29.4	153	See Note 1	
4200-6119			16	16			9.2	38.8	277		
4200-6210			32	28.2			11	38.0	206		
4200-6305			62	56.6			23	66.0	357		
4200-6307			75	68.5	240	29	24.0	170	See Note 3		
4200-6309			30	30	575	15	102.0	557			
4200-6406			101	92.2	480	25	73.0	406	See Note 1		
4200-6408			58	52.8	690	31	66.0	344	See Note 1		
4200-6503			164	150	480	30	39.1	216	See Note 4		
4200-6504			95	86.7	690	30	66.0	344	See Note 1		
4200-6603			260	237	480	14.2	41.0	219			
4200-6604			160	146	690	5.4	88.5	296			
4200-6121			Epcos	10	9.1	480	20	4.2	<30.0	186.5	See Note 2
4200-6120				16	14.6			10.8			
4200-6211	32	29.1		17.8							
4200-6306	75	68.3		19.4	238						
4200-6308	30	22.5		660	17.6	<35.0	230	See Note 5			
4200-6405	101	75		480	30	<30.0	180				
4200-6407	58	44		690	15	<40.0	<340	See Note 5			
4200-6501	165	125		480	27	<20.0	<120	See Note 2			
4200-6502	95	71		690	19	<55.0	<450	See Note 5			
4200-6601	260	195		480	13	<45.0	<375				
4200-6602	160	120		690	5	<60.0	<520				

## 12.2.2 Overall EMC filter dimensions

Table 12-49 Optional external EMC filter dimensions

CT part number	Manufacturer	Dimension			Weight	
		H	W	D	kg	lb
4200-6125	Schaffner	440 mm (17.323 in)	100 mm (3.937 in)	45 mm (1.772 in)	2.25	5.0
4200-6124						
4200-6218		428.5 mm (16.870 in)	155 mm (6.102 in)	55 mm (2.165 in)	4.5	9.9
4200-6318		414 mm (16.299 in)	250 mm (9.842 in)	60 mm (2.362 in)	8.75	19.3
4200-6319						
4200-6320						
4200-6118		440 mm (17.323 in)	100 mm (3.937 in)	45 mm (1.772 in)	1.4	3.1
4200-6119						
4200-6210		428.5 mm (16.870 in)	155 mm (6.102 in)	55 mm (2.165 in)	2	4.4
4200-6305		414 mm (16.299 in)	250 mm (9.842 in)	60 mm (2.362 in)	3.5	7.7
4200-6307						
4200-6309						
4200-6406						
4200-6408		300 mm (11.811 in)	225 mm (8.858 in)	100 mm (3.937 in)	4	8.8
4200-6503			208 mm (8.189 in)		3.8	8.4
4200-6504			249 mm (9.803 in)	120 mm (4.724 in)	6.8	15
4200-6603			225 mm (8.858 in)	100 mm (3.937 in)	4.4	9.7
4200-6604		295 mm (11.614 in)	230 mm (9.055 in)	136 mm (5.354 in)	5.25	11.6
4200-6125		357 mm (14.055 in)				
4200-6124		440 mm (17.323 in)	100 mm (3.937 in)	45 mm (1.772 in)	2.25	5.0
4200-6218	428.5 mm (16.870 in)	155 mm (6.102 in)	55 mm (2.165 in)	4.5	9.9	
4200-6318	414 mm (16.299 in)	250 mm (9.842 in)	60 mm (2.362 in)	8.75	19.3	
4200-6319						
4200-6320						
4200-6121	Epcos	450 mm (17.717 in)	100 mm (3.937 in)	45 mm (1.772 in)	2.1	4.6
4200-6120						
4200-6211		431.5 mm (16.988 in)	155 mm (6.102 in)	55 mm (2.165 in)	3.3	7.3
4200-6306		425 mm (16.732 in)	250 mm (9.843 in)	60 mm (2.362 in)	5.1	11.2
4200-6308						
4200-6405		300 mm (11.811 in)	207 mm (8.150 in)	90 mm (3.543 in)	7.8	17.2
4200-6407			205 mm (8.071 in)		8.0	17.6
4200-6501			249 mm (9.803 in)	120 mm (4.724 in)	12.0	26.5
4200-6502					10.0	22.0
4200-6601		364 mm (14.331 in)	230 mm (9.055 in)	147 mm (5.787 in)	8.6	19.0
4200-6602						

### 12.2.3 EMC filter torque settings


#### Optional external EMC Filter terminal data

CT part number	Manufacturer	Power connections		Ground connections	
		Max cable size	Max torque	Ground stud size	Max torque
4200-6118	Schaffner	4mm <sup>2</sup> 12AWG	0.8 N m (0.6 lb ft)	M5	3.5 N m (2.6 lb ft)
4200-6119		10mm <sup>2</sup> 8AWG	2.0 N m (1.5 lb ft)		
4200-6210		16mm <sup>2</sup> 6AWG	2.2 N m (1.6 lb ft)	M6	3.9 N m (2.9 lb ft)
4200-6305					
4200-6307		50mm <sup>2</sup> 0AWG	8 N m (5.9 lb ft)	M10	25 N m (18.4 lb ft)
4200-6309					
4200-6406		25mm <sup>2</sup> 4AWG	2.3 N m (1.7 lb ft)	M6	3.9 N m (2.9 lb ft)
4200-6408					
4200-6503		95mm <sup>2</sup> 4/0AWG	20 N m (14.7 lb ft)	M10	25 N m (18.4 lb ft)
4200-6504		50mm <sup>2</sup> 0AWG	8 N m (5.9 lb ft)		
4200-6603					
4200-6604					
4200-6120	Epcos	4mm <sup>2</sup> 12AWG	0.6 N m (0.4 lb ft)	M5	3.0 N m (2.2 lb ft)
4200-6121		10mm <sup>2</sup> 8AWG	1.35 N m (1.0 lb ft)		
4200-6211		16mm <sup>2</sup> 6AWG	2.2 N m (1.6 lb ft)	M6	5.1 N m (3.8 lb ft)
4200-6306					
4200-6308		10mm <sup>2</sup> 8AWG	1.35 N m (1.0 lb ft)	M10	10 N m (7.4 lb ft)
4200-6405		50mm <sup>2</sup> 0AWG	6.8 N m (5.0 lb ft)		
4200-6407		95mm <sup>2</sup> 4/0AWG	20 N m (14.7 lb ft)		
4200-6501					
4200-6502					
4200-6601					
4200-6602					

# 13 Diagnostics

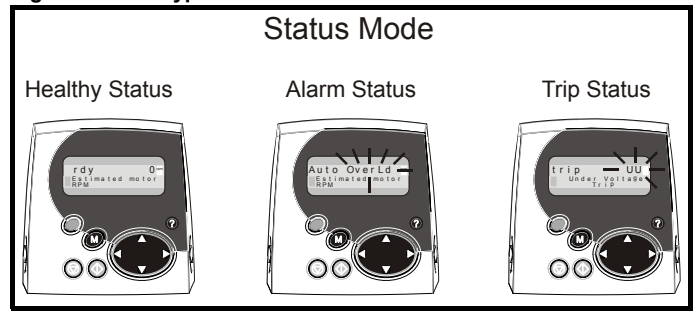
The display on the drive gives various information about the status of the drive. These fall into three categories:

- Trip indications
- Alarm indications
- Status indications



**WARNING** Users must not attempt to repair a drive if it is faulty, nor carry out fault diagnosis other than through the use of the diagnostic features described in this chapter. If a drive is faulty, it must be returned to an authorized Control Techniques distributor for repair.

Figure 13-1 Keypad status modes



## 13.1 Trip indications

If the drive trips, the output of the drive is disabled so that the drive stops controlling the motor. The display indicates that a trip has occurred and shows the trip. If this is a multi-module drive and a power module has indicated a trip, then the display will alternate between the trip string and the module number.

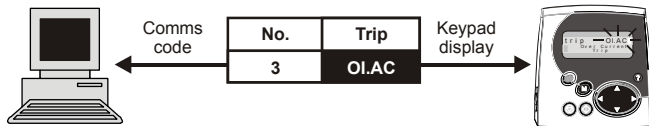
Trips are listed alphabetically in Table 13-2 based on the trip indication shown on the drive display. Refer to Figure 13-1.

If a display is not used, the drive LED Status indicator will flash if the drive has tripped. Refer to Figure 13-2.

The trip indication can be read in Pr 10.20 providing a trip number. Trip numbers are listed in numerical order in Table 13-3 so the trip indication can be cross referenced and then diagnosed using Table 13-2.

### Example

1. Trip code 3 is read from Pr 10.20 via serial communications.
2. Checking Table 13-3 shows Trip 3 is an OI.AC trip.

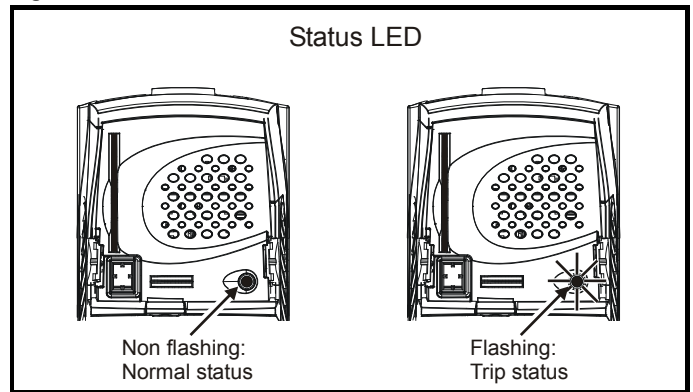


3. Look up OI.AC in Table 13-2.
4. Perform checks detailed under *Diagnosis*.



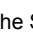
Table 13-1 Example of typical trip indication


Trip	Diagnosis
OI.AC	<b>Instantaneous output over current detected: peak output current greater than 225%</b>
3	Acceleration / deceleration rate is too short. If seen during autotune reduce voltage boost Pr 5.15 Check for short circuit on output cabling Check integrity of motor insulation Is motor cable length within limits for that frame size? Reduce the values in speed loop gain parameters – Pr 3.10, Pr 3.11 and Pr 3.12 (RFC mode) Reduce the values in current loop gain parameters - Pr 4.13 and Pr 4.14 (RFC mode)

Figure 13-2 Location of the status LED



**Table 13-2 Trip indications**

Trip	Diagnosis
<b>C.Acc</b>	<b>SMARTCARD trip: SMARTCARD Read / Write fail</b>
185	Check SMARTCARD is installed / located correctly Ensure SMARTCARD is not writing data to data location 500 to 999 Replace SMARTCARD
<b>C.boot</b>	<b>SMARTCARD trip: The menu 0 parameter modification cannot be saved to the SMARTCARD because the necessary file has not been created on the SMARTCARD</b>
177	A write to a menu 0 parameter has been initiated via the keypad with Pr 11.42 set to auto(3) or boot(4), but the necessary file on the SMARTCARD has not been created Ensure that Pr 11.42 is correctly set and reset the drive to create the necessary file on the SMARTCARD Re-attempt the parameter write to the menu 0 parameter
<b>C.bUSY</b>	<b>SMARTCARD trip: SMARTCARD can not perform the required function as it is being accessed by a Solutions Module</b>
178	Wait for the Solutions Module to finish accessing the SMARTCARD and then re-attempt the required function
<b>C.Chg</b>	<b>SMARTCARD trip: Data location already contains data</b>
179	Erase data in data location Write data to an alternative data location
<b>C.cPr</b>	<b>SMARTCARD trip: The values stored in the drive and the values in the data block on the SMARTCARD are different</b>
188	Press the red  reset button
<b>C.dAt</b>	<b>SMARTCARD trip: Data location specified does not contain any data</b>
183	Ensure data block number is correct
<b>C.Err</b>	<b>SMARTCARD trip: SMARTCARD data is corrupted</b>
182	Ensure the card is located correctly Erase data and retry Replace SMARTCARD
<b>C.Full</b>	<b>SMARTCARD trip: SMARTCARD full</b>
184	Delete a data block or use different SMARTCARD
<b>cL2</b>	<b>Analog input 2 current loss (current mode)</b>
28	Check analog input 2 (terminal 7) current signal is present (4-20mA, 20-4mA)
<b>cL3</b>	<b>Analog input 3 current loss (current mode)</b>
29	Check analog input 3 (terminal 8) current signal is present (4-20mA, 20-4mA)
<b>CL.bit</b>	<b>Trip initiated from the control word (Pr 6.42)</b>
35	Disable the control word by setting Pr 6.43 to 0 or check setting of Pr 6.42
<b>ConF.P</b>	<b>The number of power modules installed no longer matches the value stored in Pr 11.35</b>
111	Ensure that all power modules are correctly connected Ensure that all power modules have powered up correctly Ensure that the value in Pr 11.35 matches the number of power modules connected
<b>C.OPtn</b>	<b>SMARTCARD trip: Solutions Modules installed are different between source drive and destination drive</b>
180	Ensure correct Solutions Modules are installed Ensure Solutions Modules are in the same Solutions Module slot Press the red  reset button
<b>C.Prod</b>	<b>SMARTCARD trip: The data blocks on the SMARTCARD are not compatible with this product</b>
175	Erase all data on the SMARTCARD by setting Pr xx.00 to 9999 and pressing the red  reset button Replace SMARTCARD
<b>C.rdo</b>	<b>SMARTCARD trip: SMARTCARD has the Read Only bit set</b>
181	Enter 9777 in Pr xx.00 to allow SMARTCARD Read / Write access Ensure the drive is not writing to data locations 500 to 999 on the card

Trip	Diagnosis																												
<b>C.rtg</b>	<b>SMARTCARD trip: The voltage and/or current rating of the source and destination drives are different</b>																												
186	<p>Drive rating dependent parameters (parameters with the RA coding) are likely to have different values and ranges with drives of different voltage and current ratings. Parameters with this attribute will not be transferred to the destination drive by SMARTCARDS when the rating of the destination drive is different from the source drive and the file is a parameter file. Drive rating dependent parameters will be transferred if only the current rating is different and the file is a differences from default type file.</p> <p>Press the red  reset button</p> <p>Drive rating parameters are:</p> <table border="1"> <thead> <tr> <th>Parameter</th> <th>Function</th> </tr> </thead> <tbody> <tr> <td>2.08</td> <td>Standard ramp voltage</td> </tr> <tr> <td>4.05/6/7, 21.27/8/9</td> <td>Current limits</td> </tr> <tr> <td>4.24</td> <td>User current maximum scaling</td> </tr> <tr> <td>5.07, 21.07</td> <td>Motor rated current</td> </tr> <tr> <td>5.09, 21.09</td> <td>Motor rated voltage</td> </tr> <tr> <td>5.10, 21.10</td> <td>Rated power factor</td> </tr> <tr> <td>5.17, 21.12</td> <td>Stator resistance</td> </tr> <tr> <td>5.18</td> <td>Switching frequency</td> </tr> <tr> <td>5.23, 21.13</td> <td>Voltage offset</td> </tr> <tr> <td>5.24, 21.14</td> <td>Transient inductance</td> </tr> <tr> <td>5.25, 21.24</td> <td>Stator inductance</td> </tr> <tr> <td>6.06</td> <td>DC injection braking current</td> </tr> <tr> <td>6.48</td> <td>Line power supply loss ride through detection level</td> </tr> </tbody> </table> <p>The above parameters will be set to their default values.</p>	Parameter	Function	2.08	Standard ramp voltage	4.05/6/7, 21.27/8/9	Current limits	4.24	User current maximum scaling	5.07, 21.07	Motor rated current	5.09, 21.09	Motor rated voltage	5.10, 21.10	Rated power factor	5.17, 21.12	Stator resistance	5.18	Switching frequency	5.23, 21.13	Voltage offset	5.24, 21.14	Transient inductance	5.25, 21.24	Stator inductance	6.06	DC injection braking current	6.48	Line power supply loss ride through detection level
Parameter	Function																												
2.08	Standard ramp voltage																												
4.05/6/7, 21.27/8/9	Current limits																												
4.24	User current maximum scaling																												
5.07, 21.07	Motor rated current																												
5.09, 21.09	Motor rated voltage																												
5.10, 21.10	Rated power factor																												
5.17, 21.12	Stator resistance																												
5.18	Switching frequency																												
5.23, 21.13	Voltage offset																												
5.24, 21.14	Transient inductance																												
5.25, 21.24	Stator inductance																												
6.06	DC injection braking current																												
6.48	Line power supply loss ride through detection level																												
<b>C.TyP</b>	<b>SMARTCARD trip: SMARTCARD parameter set not compatible with drive</b>																												
187	<p>Press the reset button</p> <p>Ensure destination drive type is the same as the source parameter file drive type</p>																												
<b>dESt</b>	<b>Two or more parameters are writing to the same destination parameter</b>																												
199	Set Pr <b>xx.00</b> = 12001 check all visible parameters in the menus for duplication																												
<b>EEF</b>	<b>EEPROM data corrupted - Drive mode becomes open loop and serial comms will timeout with remote keypad on the drive RS485 comms port.</b>																												
31	This trip can only be cleared by loading default parameters and saving parameters																												
<b>Et</b>	<b>External trip from input on terminal 31</b>																												
6	<p>Check terminal 31 signal</p> <p>Check value of Pr <b>10.32</b></p> <p>Enter 12001 in Pr <b>xx.00</b> and check for parameter controlling Pr <b>10.32</b></p> <p>Ensure Pr <b>10.32</b> or Pr <b>10.38</b> (=6) are not being controlled by serial comms</p>																												
<b>HF01</b>	<b>Data processing error: CPU address error</b>																												
	Hardware fault - return drive to supplier																												
<b>HF02</b>	<b>Data processing error: DMAC address error</b>																												
	Hardware fault - return drive to supplier																												
<b>HF03</b>	<b>Data processing error: Illegal instruction</b>																												
	Hardware fault - return drive to supplier																												
<b>HF04</b>	<b>Data processing error: Illegal slot instruction</b>																												
	Hardware fault - return drive to supplier																												
<b>HF05</b>	<b>Data processing error: Undefined exception</b>																												
	Hardware fault - return drive to supplier																												
<b>HF06</b>	<b>Data processing error: Reserved exception</b>																												
	Hardware fault - return drive to supplier																												
<b>HF07</b>	<b>Data processing error: Watchdog failure</b>																												
	Hardware fault - return drive to supplier																												
<b>HF08</b>	<b>Data processing error: Level 4 crash</b>																												
	Hardware fault - return drive to supplier																												

Trip	Diagnosis
<b>HF09</b>	<b>Data processing error: Heap overflow</b>
	Hardware fault - return drive to supplier
<b>HF10</b>	<b>Data processing error: Router error</b>
	Hardware fault - return drive to supplier
<b>HF11</b>	<b>Data processing error: Access to EEPROM failed</b>
	Hardware fault - return drive to supplier
<b>HF12</b>	<b>Data processing error: Main program stack overflow</b>
	Hardware fault - return drive to supplier
<b>HF13</b>	<b>Data processing error: Software incompatible with hardware</b>
	Hardware or software fault - return drive to supplier
<b>HF17</b>	<b>Multi-module system thermistor short circuit or open circuit</b>
<b>217</b>	Hardware fault - return drive to supplier
<b>HF18</b>	<b>Multi-module system interconnect cable error</b>
<b>218</b>	Hardware fault - return drive to supplier
<b>HF19</b>	<b>Temperature feedback multiplexing failure</b>
<b>219</b>	Hardware fault - return drive to supplier
<b>HF20</b>	<b>Power stage recognition: serial code error</b>
<b>220</b>	Hardware fault - return drive to supplier
<b>HF21</b>	<b>Power stage recognition: unrecognised frame size</b>
<b>221</b>	Hardware fault - return drive to supplier
<b>HF22</b>	<b>Power stage recognition: multi module frame size mismatch</b>
<b>222</b>	Hardware fault - return drive to supplier
<b>HF23</b>	<b>Power stage recognition: multi module voltagerating mismatch</b>
<b>223</b>	Hardware fault - return drive to supplier
<b>HF24</b>	<b>Power stage recognition: unrecognised drive size</b>
<b>224</b>	Hardware fault - return drive to supplier
<b>HF25</b>	<b>Current feedback offset error</b>
<b>225</b>	Hardware fault - return drive to supplier
<b>HF26</b>	<b>Soft start relay failed to close, soft start monitor failed or braking IGBT short circuit at power up</b>
<b>226</b>	Hardware fault - return drive to supplier
<b>HF27</b>	<b>Power stage thermistor 1 fault</b>
<b>227</b>	Hardware fault - return drive to supplier
<b>HF28</b>	<b>Power stage thermistor 2 fault, or internal fan fault (size 3)</b>
<b>228</b>	Hardware fault - return drive to supplier
<b>HF29</b>	<b>Control board thermistor fault</b>
<b>229</b>	Hardware fault - return drive to supplier
<b>HF30</b>	<b>DCCT wire break trip from power module</b>
<b>230</b>	Hardware fault - return drive to supplier
<b>HF31</b>	<b>Internal capacitor bank fan failure (size 4 and larger) or a module has not powered up in a multi-module parallel drive</b>
<b>231</b>	Check the AC or DC power supply to all modules in a multi-module parallel drive If the AC or DC power supply is present, or if this is a single drive, then there is a hardware fault - return drive to the supplier
<b>HF32</b>	<b>Power stage - Identification and trip information serial code error</b>
<b>232</b>	Hardware fault - return drive to the supplier

Trip	Diagnosis
<b>lt.AC</b>	<b>Output current overload timed out (<math>I^2t</math>) - accumulator value can be seen in Pr 4.19</b>
20	Ensure the load is not jammed / sticking Check the load on the motor has not changed Ensure rated speed parameter is correct (RFC) Ensure that the motor rated current is not set to zero
<b>lt.br</b>	<b>Braking resistor overload timed out (<math>I^2t</math>) – accumulator value can be seen in Pr 10.39</b>
19	Ensure the values entered in Pr 10.30 and Pr 10.31 are correct Increase the power rating of the braking resistor and change Pr 10.30 and Pr 10.31 If an external thermal protection device is being used and the braking resistor software overload is not required, set Pr 10.30 or Pr 10.31 to 0 to disable the trip
<b>LOAD</b>	<b>Low load detected</b>
38	Check mechanical motor coupling
<b>O.CtL</b>	<b>Drive control board over temperature</b>
23	Check enclosure / drive fans are still functioning correctly Check enclosure ventilation paths Check enclosure door filters Check ambient temperature Reduce drive switching frequency
<b>O.ht1</b>	<b>Power device over temperature based on thermal model</b>
21	Reduce drive switching frequency Reduce duty cycle Decrease acceleration / deceleration rates Reduce motor load
<b>O.ht2</b>	<b>Heatsink over temperature</b>
22	Check enclosure / drive fans are still functioning correctly Check enclosure ventilation paths Check enclosure door filters Increase ventilation Decrease acceleration / deceleration rates Reduce drive switching frequency Reduce duty cycle Reduce motor load
<b>Oht2.P</b>	<b>Power module heatsink over temperature</b>
105	Check enclosure / drive fans are still functioning correctly Check enclosure ventilation paths Check enclosure door filters Increase ventilation Decrease acceleration / deceleration rates Reduce drive switching frequency Reduce duty cycle Reduce motor load
<b>O.ht3</b>	<b>Drive over-temperature based on thermal model</b>
27	The drive will attempt to stop the motor before tripping. If the motor does not stop in 10s the drive trips immediately. Check DC bus ripple Reduce duty cycle Reduce motor load
<b>Oht4.P</b>	<b>Power module rectifier over temperature or input snubber resistor over temperature (size 4 and above)</b>
102	Check for supply imbalance Check for supply disturbance such as notching from a DC drive Check enclosure / drive fans are still functioning correctly Check enclosure ventilation paths Check enclosure door filters Increase ventilation Decrease acceleration / deceleration rates Reduce drive switching frequency Reduce duty cycle Reduce motor load



Trip	Diagnosis															
<b>OI.AC</b>	<b>Instantaneous output over current detected: peak output current greater than 222%</b>															
<b>3</b>	Acceleration /deceleration rate is too short. If seen during autotune reduce voltage boost Pr <b>5.15</b> Check for short circuit on output cabling Check integrity of motor insulation Is motor cable length within limits for that frame size? Reduce the values in speed loop gain parameters – Pr <b>3.10</b> , Pr <b>3.11</b> and Pr <b>3.12</b> (RFC mode) Reduce the values in current loop gain parameters - Pr <b>4.13</b> and Pr <b>4.14</b> (RFC mode)															
<b>OIAC.P</b>	<b>Power module over current detected from the module output currents</b>															
<b>104</b>	Acceleration /deceleration rate is too short. If seen during autotune reduce voltage boost Pr <b>5.15</b> Check for short circuit on output cabling Check integrity of motor insulation Is motor cable length within limits for that frame size? Reduce the values in speed loop gain parameters – Pr <b>3.10</b> , Pr <b>3.11</b> and Pr <b>3.12</b> (RFC mode) Reduce the values in current loop gain parameters - Pr <b>4.13</b> and Pr <b>4.14</b> (RFC mode)															
<b>OI.br</b>	<b>Braking transistor over-current detected: short circuit protection for the braking transistor activated</b>															
<b>4</b>	Check braking resistor wiring Check braking resistor value is greater than or equal to the minimum resistance value Check braking resistor insulation															
<b>OI.br.P</b>	<b>Power module braking IGBT over current</b>															
<b>103</b>	Check braking resistor wiring Check braking resistor value is greater than or equal to the minimum resistance value Check braking resistor insulation															
<b>OldC.P</b>	<b>Power module over current detected from IGBT on state voltage monitoring</b>															
<b>109</b>	Vce IGBT protection activated. Check motor and cable insulation.															
<b>O.Ld1</b>	<b>Digital output overload: total current drawn from 24V supply and digital outputs exceeds 200mA</b>															
<b>26</b>	Check total load on digital outputs (terminals 24,25,26)and +24V rail (terminal 22)															
<b>O.SPd</b>	<b>Motor speed has exceeded the over speed threshold</b>															
<b>7</b>	Increase the over speed trip threshold in Pr <b>3.08</b> (RFC mode) Speed has exceeded 1.2 x Pr <b>1.06</b> or Pr <b>1.07</b> (open loop mode) Reduce the speed loop P gain (Pr <b>3.10</b> ) to reduce the speed overshootRFC mode)															
<b>OV</b>	<b>DC bus voltage has exceeded the peak level or the maximum continuous level for 15 seconds</b>															
<b>2</b>	Increase deceleration ramp (Pr <b>0.04</b> ) Decrease braking resistor value (staying above the minimum value) Check nominal AC supply level Check for supply disturbances which could cause the DC bus to rise – voltage overshoot after supply recovery from a notch induced by DC drives Check motor insulation <table border="1"> <thead> <tr> <th>Drive voltage rating</th> <th>Peak voltage</th> <th>Maximum continuous voltage level (15s)</th> </tr> </thead> <tbody> <tr> <td>200</td> <td>415</td> <td>410</td> </tr> <tr> <td>400</td> <td>830</td> <td>815</td> </tr> <tr> <td>575</td> <td>990</td> <td>970</td> </tr> <tr> <td>690</td> <td>1190</td> <td>1175</td> </tr> </tbody> </table> If the drive is operating in low voltage DC mode the overvoltage trip level is 1.45 x Pr <b>6.46</b> .	Drive voltage rating	Peak voltage	Maximum continuous voltage level (15s)	200	415	410	400	830	815	575	990	970	690	1190	1175
Drive voltage rating	Peak voltage	Maximum continuous voltage level (15s)														
200	415	410														
400	830	815														
575	990	970														
690	1190	1175														
<b>OV.P</b>	<b>Power module DC bus voltage has exceeded the peak level or the maximum continuous level for 15 seconds</b>															
<b>106</b>	Increase deceleration ramp (Pr <b>0.04</b> ) Decrease braking resistor value (staying above the minimum value) Check nominal AC supply level Check for supply disturbances which could cause the DC bus to rise – voltage overshoot after supply recovery from a notch induced by DC drives Check motor insulation <table border="1"> <thead> <tr> <th>Drive voltage rating</th> <th>Peak voltage</th> <th>Maximum continuous voltage level (15s)</th> </tr> </thead> <tbody> <tr> <td>200</td> <td>415</td> <td>410</td> </tr> <tr> <td>400</td> <td>830</td> <td>815</td> </tr> <tr> <td>575</td> <td>990</td> <td>970</td> </tr> <tr> <td>690</td> <td>1190</td> <td>1175</td> </tr> </tbody> </table> If the drive is operating in low voltage DC mode the overvoltage trip level is 1.45 x Pr <b>6.46</b> .	Drive voltage rating	Peak voltage	Maximum continuous voltage level (15s)	200	415	410	400	830	815	575	990	970	690	1190	1175
Drive voltage rating	Peak voltage	Maximum continuous voltage level (15s)														
200	415	410														
400	830	815														
575	990	970														
690	1190	1175														

Trip	Diagnosis
<b>PA.d</b>	<b>Keypad has been removed when the drive is receiving the speed reference from the keypad</b>
34	Install keypad and reset Change speed reference selector to select speed reference from another source
<b>PH</b>	<b>AC voltage input phase loss or large supply imbalance detected</b>
32	Ensure all three phases are present and balanced Check input voltage levels are correct (at full load) <b>NOTE</b> Load level must be between 50 and 100% for the drive to trip under phase loss conditions. The drive will attempt to stop the motor before this trip is initiated.
<b>PH.P</b>	<b>Power module phase loss detection</b>
107	Ensure all three phases are present and balanced Check input voltage levels are correct (at full load)
<b>PS</b>	<b>Internal power supply fault</b>
5	Remove any Solutions Modules and reset Hardware fault - return drive to supplier
<b>PS.10V</b>	<b>10V user power supply current greater than 10mA</b>
8	Check wiring to terminal 4 Reduce load on terminal 4
<b>PS.24V</b>	<b>24V internal power supply overload</b>
9	The total user load of the drive and Solutions Modules has exceeded the internal 24V power supply limit. The user load consists of the drive's digital outputs and the SM-I/O Plus digital outputs. <ul style="list-style-type: none"> <li>Reduce load and reset</li> <li>Provide an external 24V &gt;50W power supply</li> <li>Remove any Solutions Modules and reset</li> </ul>
<b>PS.P</b>	<b>Power module power supply fail</b>
108	Remove any Solutions Modules and reset Hardware fault - return drive to supplier
<b>PSAVE.Er</b>	<b>Power down save parameters in the EEPROM are corrupt</b>
37	Indicates that the power was removed when power down save parameters were being saved. The drive will revert back to the power down parameter set that was last saved successfully. Perform a user save (Pr <b>xx.00</b> to 1000 or 1001 and reset the drive) or power down the drive normally to ensure this trip does or occur the next time the drive is powered up.
<b>rS</b>	<b>Failure to measure resistance during autotune or when starting in open loop vector mode 0 or 3</b>
33	Check motor power connection continuity
<b>SAVE.Er</b>	<b>User save parameters in the EEPROM are corrupt</b>
36	Indicates that the power was removed when user parameters were being saved. The drive will revert back to the user parameter set that was last saved successfully. Perform a user save (Pr <b>xx.00</b> to 1000 or 1001 and reset the drive) to ensure this trip does or occur the next time the drive is powered up.
<b>SCL</b>	<b>Drive RS485 serial comms loss to remote keypad</b>
30	Reinstall the cable between the drive and keypad Check cable for damage Replace cable Replace keypad
<b>SLX.dF</b>	<b>Solutions Module slot X trip: Solutions Module type installed in slot X changed</b>
204,209	Save parameters and reset
<b>SL3.dF</b>	<b>Building automation interface slot trip</b>
214	Module typed changed

Trip	Diagnosis																																																																			
<b>SLX.Er</b>	<b>Solutions Module slot X trip: Solutions Module in slot X has detected a fault</b>																																																																			
<b>202,207</b>	<b>Automation (I/O Expansion) module category</b> Check value in Pr <b>15/16.50</b> . The following table lists the possible error codes for the SM-I/O Plus, SM-I/O Lite, SM-I/O Timer, SM-I/O PELV, SM-I/O 120V and SM-I/O 24V Protected. See the <i>Diagnostics</i> section in the relevant Solutions Module User Guide for more information.																																																																			
	<table border="1"> <thead> <tr> <th>Error code</th> <th>Module</th> <th>Reason for fault</th> </tr> </thead> <tbody> <tr> <td>0</td> <td>All</td> <td>No errors</td> </tr> <tr> <td>1</td> <td>All</td> <td>Digital output overload</td> </tr> <tr> <td rowspan="2">2</td> <td>SM-I/O Lite</td> <td>Analog input 1 current input too high (&gt;22mA) or too low (&lt;3mA)</td> </tr> <tr> <td>SM-I/O PELV, SM-I/O 24V Protected</td> <td>Digital input overload</td> </tr> <tr> <td rowspan="2">3</td> <td>SM-I/O PELV, SM-I/O 24V Protected</td> <td>Analog input 1 current input too low (&lt;3mA)</td> </tr> <tr> <td>SM-I/O 24V Protected</td> <td>Communications error</td> </tr> <tr> <td>4</td> <td>SM-I/O PELV</td> <td>User power supply absent</td> </tr> <tr> <td>74</td> <td>All</td> <td>Module over temperature</td> </tr> </tbody> </table>	Error code	Module	Reason for fault	0	All	No errors	1	All	Digital output overload	2	SM-I/O Lite	Analog input 1 current input too high (>22mA) or too low (<3mA)	SM-I/O PELV, SM-I/O 24V Protected	Digital input overload	3	SM-I/O PELV, SM-I/O 24V Protected	Analog input 1 current input too low (<3mA)	SM-I/O 24V Protected	Communications error	4	SM-I/O PELV	User power supply absent	74	All	Module over temperature																																										
	Error code	Module	Reason for fault																																																																	
	0	All	No errors																																																																	
	1	All	Digital output overload																																																																	
	2	SM-I/O Lite	Analog input 1 current input too high (>22mA) or too low (<3mA)																																																																	
		SM-I/O PELV, SM-I/O 24V Protected	Digital input overload																																																																	
	3	SM-I/O PELV, SM-I/O 24V Protected	Analog input 1 current input too low (<3mA)																																																																	
		SM-I/O 24V Protected	Communications error																																																																	
	4	SM-I/O PELV	User power supply absent																																																																	
74	All	Module over temperature																																																																		
<b>SLX.Er</b>	<b>Solutions Module slot X trip: Solutions Module in slot X has detected a fault</b>																																																																			
<b>202,207</b>	<b>Fieldbus module category</b> Check value in Pr <b>15/16.50</b> . The following table lists the possible error codes for the Fieldbus modules. See the <i>Diagnostics</i> section in the relevant Solutions Module User Guide for more information.																																																																			
	<table border="1"> <thead> <tr> <th>Error code</th> <th>Module</th> <th>Trip Description</th> </tr> </thead> <tbody> <tr> <td>0</td> <td>All</td> <td>No trip</td> </tr> <tr> <td>52</td> <td>SM-PROFIBUS-DP, SM-INTERBUS, SM-DeviceNet</td> <td>User control word trip</td> </tr> <tr> <td>58</td> <td>SM-LON</td> <td>Incorrect non-volatile storage</td> </tr> <tr> <td>61</td> <td>SM-PROFIBUS-DP, SM-INTERBUS, SM-DeviceNet</td> <td>Configuration error</td> </tr> <tr> <td>64</td> <td>SM-DeviceNet</td> <td>Expected packet rate timeout</td> </tr> <tr> <td>65</td> <td>SM-PROFIBUS-DP, SM-INTERBUS, SM-DeviceNet</td> <td>Network loss</td> </tr> <tr> <td rowspan="2">66</td> <td>SM-PROFIBUS-DP</td> <td>Critical link failure</td> </tr> <tr> <td>SM-CAN, SM-DeviceNet</td> <td>Bus off error</td> </tr> <tr> <td rowspan="2">70</td> <td>All (except SM-Ethernet and SM-LON)</td> <td>Flash transfer error</td> </tr> <tr> <td>SM-Ethernet, SM-LON</td> <td>No valid menu data available for the module from the drive</td> </tr> <tr> <td>74</td> <td>All</td> <td>Solutions module over temperature</td> </tr> <tr> <td>75</td> <td>SM-Ethernet</td> <td>The drive is not responding</td> </tr> <tr> <td>76</td> <td>SM-Ethernet</td> <td>The Modbus connection has timed out</td> </tr> <tr> <td>80</td> <td>All</td> <td>Inter-option communications error</td> </tr> <tr> <td>81</td> <td>All</td> <td>Communications error to slot 1</td> </tr> <tr> <td>82</td> <td>All</td> <td>Communications error to slot 2</td> </tr> <tr> <td>84</td> <td>SM-Ethernet</td> <td>Memory allocation error</td> </tr> <tr> <td>85</td> <td>SM-Ethernet</td> <td>File system error</td> </tr> <tr> <td>86</td> <td>SM-Ethernet</td> <td>Configuration file error</td> </tr> <tr> <td>87</td> <td>SM-Ethernet</td> <td>Language file error</td> </tr> <tr> <td>98</td> <td>All</td> <td>Internal watchdog error</td> </tr> <tr> <td>99</td> <td>All</td> <td>Internal software error</td> </tr> </tbody> </table>	Error code	Module	Trip Description	0	All	No trip	52	SM-PROFIBUS-DP, SM-INTERBUS, SM-DeviceNet	User control word trip	58	SM-LON	Incorrect non-volatile storage	61	SM-PROFIBUS-DP, SM-INTERBUS, SM-DeviceNet	Configuration error	64	SM-DeviceNet	Expected packet rate timeout	65	SM-PROFIBUS-DP, SM-INTERBUS, SM-DeviceNet	Network loss	66	SM-PROFIBUS-DP	Critical link failure	SM-CAN, SM-DeviceNet	Bus off error	70	All (except SM-Ethernet and SM-LON)	Flash transfer error	SM-Ethernet, SM-LON	No valid menu data available for the module from the drive	74	All	Solutions module over temperature	75	SM-Ethernet	The drive is not responding	76	SM-Ethernet	The Modbus connection has timed out	80	All	Inter-option communications error	81	All	Communications error to slot 1	82	All	Communications error to slot 2	84	SM-Ethernet	Memory allocation error	85	SM-Ethernet	File system error	86	SM-Ethernet	Configuration file error	87	SM-Ethernet	Language file error	98	All	Internal watchdog error	99	All	Internal software error
	Error code	Module	Trip Description																																																																	
	0	All	No trip																																																																	
	52	SM-PROFIBUS-DP, SM-INTERBUS, SM-DeviceNet	User control word trip																																																																	
	58	SM-LON	Incorrect non-volatile storage																																																																	
	61	SM-PROFIBUS-DP, SM-INTERBUS, SM-DeviceNet	Configuration error																																																																	
	64	SM-DeviceNet	Expected packet rate timeout																																																																	
	65	SM-PROFIBUS-DP, SM-INTERBUS, SM-DeviceNet	Network loss																																																																	
	66	SM-PROFIBUS-DP	Critical link failure																																																																	
		SM-CAN, SM-DeviceNet	Bus off error																																																																	
	70	All (except SM-Ethernet and SM-LON)	Flash transfer error																																																																	
		SM-Ethernet, SM-LON	No valid menu data available for the module from the drive																																																																	
	74	All	Solutions module over temperature																																																																	
	75	SM-Ethernet	The drive is not responding																																																																	
	76	SM-Ethernet	The Modbus connection has timed out																																																																	
	80	All	Inter-option communications error																																																																	
	81	All	Communications error to slot 1																																																																	
	82	All	Communications error to slot 2																																																																	
	84	SM-Ethernet	Memory allocation error																																																																	
	85	SM-Ethernet	File system error																																																																	
	86	SM-Ethernet	Configuration file error																																																																	
	87	SM-Ethernet	Language file error																																																																	
98	All	Internal watchdog error																																																																		
99	All	Internal software error																																																																		

Trip	Diagnosis														
<b>SL3.Er</b>	<b>Building automation interface: Module has detected a fault</b>														
<b>212</b>	Check value in Pr <b>17.50</b> . The following table lists the possible error codes.														
	<table border="1"> <thead> <tr> <th>Error code</th> <th>Trip Description</th> </tr> </thead> <tbody> <tr> <td>0</td> <td>No trip</td> </tr> <tr> <td>10</td> <td>Module operating system error</td> </tr> <tr> <td>20</td> <td>Real time clock error</td> </tr> <tr> <td>30</td> <td>IP54 cooling fan power supply fault</td> </tr> <tr> <td>40</td> <td>Drive to option module interface error</td> </tr> <tr> <td>50</td> <td>Building automation network error</td> </tr> </tbody> </table>	Error code	Trip Description	0	No trip	10	Module operating system error	20	Real time clock error	30	IP54 cooling fan power supply fault	40	Drive to option module interface error	50	Building automation network error
	Error code	Trip Description													
	0	No trip													
	10	Module operating system error													
	20	Real time clock error													
	30	IP54 cooling fan power supply fault													
40	Drive to option module interface error														
50	Building automation network error														
<b>SLX.HF</b>	<b>Solutions Module slot X trip: Solutions Module X hardware fault</b>														
<b>200,205</b>	Ensure Solutions Module is installed correctly Return Solutions Module to supplier														
<b>SL3.HF</b>	<b>Building automation interface: Module hardware fault</b>														
<b>210</b>	Ensure Solutions Module is installed correctly Return Solutions Module to supplier														
<b>SLX.nF</b>	<b>Solutions Module slot X trip: Solutions Module has been removed</b>														
<b>203,208</b>	Ensure Solutions Module is installed correctly Reinstall Solutions Module Save parameters and reset drive														
<b>SL3.nF</b>	<b>Building automation interface: Module has been removed</b>														
<b>213</b>	Ensure Solutions Module is installed correctly Reinstall Solutions Module Save parameters and reset drive														
<b>SL.rtd</b>	<b>Solutions Module trip: Drive mode has changed and Solutions Module parameter routing is now incorrect</b>														
<b>215</b>	Press reset. If the trip persists, contact the supplier of the drive.														
<b>SLX.tO</b>	<b>Solutions Module slot X trip: Solutions Module watchdog timeout</b>														
<b>201,206</b>	Press reset. If the trip persists, contact the supplier of the drive.														
<b>SL3.tO</b>	<b>Building automation interface: Module watchdog timeout</b>														
<b>211</b>	Press reset. If the trip persists, contact the supplier of the drive.														
<b>t040 to t089</b>	<b>User defined trip</b>														
<b>40 to 89</b>	Onboard PLC program must be interrogated to find the cause of this trip														
<b>t099</b>	<b>User defined trip</b>														
<b>99</b>	Onboard PLC program must be interrogated to find the cause of this trip														
<b>t101</b>	<b>User defined trip</b>														
<b>101</b>	Onboard PLC program must be interrogated to find the cause of this trip														
<b>t112 to t160</b>	<b>User defined trip</b>														
<b>112 to 160</b>	Onboard PLC program must be interrogated to find the cause of this trip														
<b>t168 to t174</b>	<b>User defined trip</b>														
<b>168 to 174</b>	Onboard PLC program must be interrogated to find the cause of this trip														
<b>t216</b>	<b>User defined trip</b>														
<b>216</b>	Onboard PLC program must be interrogated to find the cause of this trip														
<b>th</b>	<b>Motor thermistor trip</b>														
<b>24</b>	Check motor temperature Check thermistor continuity Set Pr <b>7.15</b> = VOLt and reset the drive to disable this function														
<b>thS</b>	<b>Motor thermistor short circuit</b>														
<b>25</b>	Check motor thermistor wiring Replace motor / motor thermistor Set Pr <b>7.15</b> = VOLt and reset the drive to disable this function														

Trip	Diagnosis												
<b>tunE*</b>	<b>Autotune stopped before completion</b>												
18	The drive has tripped out during the autotune The red stop key has been pressed during the autotune The Enable signal (terminal 31) was active during the autotune procedure												
<b>tunE1*</b>	<b>Required speed could not be reached during the inertia test (see Pr 5.12)</b>												
11	Ensure the motor is free to turn i.e. brake was released												
<b>tunE2*</b>	<b>Motor could not be stopped during the inertia test (see Pr 5.12)</b>												
12	Check motor cable wiring is correct												
<b>tunE3*</b>	<b>Measured inertia out of range (see Pr 5.12)</b>												
13	Check motor cable wiring is correct												
<b>tunE7*</b>	<b>Motor number of poles set incorrectly</b>												
17	Check lines per revolution for feedback device Check the number of poles in Pr 5.11 set correctly												
<b>Unid.P</b>	<b>Power module unidentified trip</b>												
110	Check all interconnecting cables between power modules Ensure cables are routed away from electrical noise sources												
<b>UP ACC</b>	<b>Onboard PLC program: cannot access Onboard PLC program file on drive</b>												
98	Disable drive - write access is not allowed when the drive is enabled Another source is already accessing Onboard PLC program - retry once other action is complete												
<b>UP div0</b>	<b>Onboard PLC program attempted divide by zero</b>												
90	Check program												
<b>UP OFL</b>	<b>Onboard PLC program variables and function block calls using more than the allowed RAM space (stack overflow)</b>												
95	Check program												
<b>UP ovr</b>	<b>Onboard PLC program attempted out of range parameter write</b>												
94	Check program												
<b>UP PAr</b>	<b>Onboard PLC program attempted access to a non-existent parameter</b>												
91	Check program												
<b>UP ro</b>	<b>Onboard PLC program attempted write to a read-only parameter</b>												
92	Check program												
<b>UP So</b>	<b>Onboard PLC program attempted read of a write-only parameter</b>												
93	Check program												
<b>UP udF</b>	<b>Onboard PLC program un-defined trip</b>												
97	Check program												
<b>UP uSEr</b>	<b>Onboard PLC program requested a trip</b>												
96	Check program												
<b>UV</b>	<b>DC bus under voltage threshold reached</b>												
1	Check AC supply voltage level <table border="1"> <thead> <tr> <th>Drive voltage rating (Vac)</th> <th>Under voltage threshold (Vdc)</th> <th>UV reset voltage (Vdc)</th> </tr> </thead> <tbody> <tr> <td>200</td> <td>175</td> <td>215V</td> </tr> <tr> <td>400</td> <td>350</td> <td>425V</td> </tr> <tr> <td>575 &amp; 690</td> <td>435</td> <td>590V</td> </tr> </tbody> </table>	Drive voltage rating (Vac)	Under voltage threshold (Vdc)	UV reset voltage (Vdc)	200	175	215V	400	350	425V	575 & 690	435	590V
Drive voltage rating (Vac)	Under voltage threshold (Vdc)	UV reset voltage (Vdc)											
200	175	215V											
400	350	425V											
575 & 690	435	590V											

\*If a tunE through tunE 7 trip occurs, then after the drive is reset the drive cannot be made to run unless it is disabled via the Enable input (terminal 31), drive enable parameter (Pr 6.15) or the control word (Pr 6.42 and Pr 6.43).

Table 13-3 Serial communications look-up table

No.	Trip	No.	Trip	No.	Trip
1	UV	40 to 89	t040 to t089	182	C.Err
2	OV	90	UP div0	183	C.dAt
3	OI.AC	91	UP PAr	184	C.FULL
4	OI.br	92	UP ro	185	C.Acc
5	PS	93	UP So	186	C.rtg
6	Et	94	UP ovr	187	C.TyP
7	O.SPd	95	UP OFL	188	C.cPr
8	PS.10V	96	UP uSEr	189	Reserved
9	PS.24V	97	UP udF	190	Reserved
10	Reserved	98	UP ACC	191	Reserved
11	tunE1	99	t099	192	Reserved
12	tunE2	100		193	Reserved
13	tunE3	101	t101	194	Reserved
14	Reserved	102	Oht4.P	195	Reserved
15	Reserved	103	OIbr.P	196	Reserved
16	Reserved	104	OIAC.P	197	Reserved
17	tunE7	105	Oht2.P	198	Reserved
18	tunE	106	OV.P	199	DESt
19	It.br	107	PH.P	200	SL1.HF
20	It.AC	108	PS.P	201	SL1.tO
21	O.ht1	109	OldC.P	202	SL1.Er
22	O.ht2	110	Unid.P	203	SL1.nF
23	O.CtL	111	ConF.P	204	SL1.dF
24	th	112 to 160	t112 to t160	205	SL2.HF
25	thS	161	Reserved	206	SL2.tO
26	O.Ld1	162	Reserved	207	SL2.Er
27	O.ht3	163	Reserved	208	SL2.nF
28	cL2	164	Reserved	209	SL2.dF
29	cL3	165	Reserved	210	SL3.HF
30	SCL	166	Reserved	211	SL3.tO
31	EEF	167	Reserved	212	SL3.Er
32	PH	168 to 174	t168 to t174	213	SL3.nF
33	rS	175	C.Prod	214	SL3.dF
34	PAd	176	Reserved	215	SL.rtd
35	CL.bit	177	C.boot	216	t216
36	SAVE.Er	178	C.bUSY	217 to 232	HF17 to HF32
37	PSAVE.Er	179	C.Chg		
38	LOAD	180	C.OPtn		
39	Reserved	181	C.RdO		

The trips can be grouped into the following categories. It should be noted that a trip can only occur when the drive is not tripped or is already tripped but with a trip with a lower priority number.

**Table 13-4 Trip categories**

Priority	Category	Trips	Comments
1	Hardware faults	HF01 to HF16	These indicate fatal problems and cannot be reset. The drive is inactive after one of these trips and the display shows <b>HFxx</b> . The Drive OK relay opens and the serial comms will not function.
2	Non-resetable trips	HF17 to HF32, SL1.HF, SL2.HF	Cannot be reset. Requires the drive to be powered down.
3	EEF trip	EEF	Cannot be reset unless a code to load defaults is first entered in Pr <b>xx.00</b> or Pr <b>11.43</b> .
4	SMARTCARD trips	C.boot, C.Busy, C.Chg, C.OPtn, C.RdO, C.Err, C.dat, C.FULL, C.Acc, C.rtg, C.TyP, C.cpr, C.Prod	Can be reset after 1.0s SMARTCARD trips have priority 5 during power-up
4	Power supply trips	PS.24V	Can be reset after 1.0s
5	Autotune	tunE, tunE1 to tunE3	Can be reset after 1.0s, but the drive cannot be made to run unless it is disabled via the Enable input (terminal 31), <i>Drive enable</i> (Pr <b>6.15</b> ) or the <i>Control word</i> (Pr <b>6.42</b> and Pr <b>6.43</b> ).
5	Normal trips with extended reset	OI.AC, OI.Br, OIAC.P, OIBr.P, OldC.P	Can be reset after 10.0s
5	Normal trips	All other trips not included in this table	Can be reset after 1.0s
5	Non-important trips	th, thS, Old1, cL2, cL3, SCL	If Pr <b>10.37</b> is 1 or 3 (i.e. bit 0 set to 1), the drive will stop before tripping
5	Phase loss	PH	The drive attempts to stop before tripping
5	Drive over-heat based on thermal model	O.ht3	The drive attempts to stop before tripping, but if it does not stop within 10s the drive will automatically trip
6	Self-resetting trips	UV	Under voltage trip cannot be reset by the user, but is automatically reset by the drive when the supply voltage is with specification

Although the UV trip operates in a similar way to all other trips, all drive functions can still operate but the drive cannot be enabled. The following differences apply to the UV trip:

1. Power-down save user parameters are saved when UV trip is activated except when the main high voltage supply is not active (i.e. operating in Low Voltage DC Supply Mode, Pr **6.44** = 1).
2. The UV trip is self-resetting when the DC bus voltage rises above the drive restart voltage level. If another trip is active instead of UV at this point, the trip is not reset.
3. The drive can change between using the main high voltage supply and low voltage DC supply only when the drive is in the under voltage condition (Pr **10.16** = 1). The UV trip can only be seen as active if another trip is not active in the under voltage condition.
4. When the drive is first powered up a UV trip is initiated if the supply voltage is below the restart voltage level and another trip is not active. This does not cause save power down save parameters to be saved at this point.

## 13.2 Alarm indications

In any mode an alarm flashes alternately with the data displayed when one of the following conditions occur. If action is not taken to eliminate any alarm except "Autotune", "Lt" and "PLC" the drive may eventually trip. Alarms flash once every 640ms except "PLC" which flashes once every 10s. Alarms are not displayed when a parameter is being edited.

**Table 13-5 Alarm indications**

Lower display	Description
<b>br.rS</b>	Braking resistor overload
	Braking resistor I <sup>2</sup> t accumulator (Pr 10.39) in the drive has reached 75.0% of the value at which the drive will trip and the braking IGBT is active.
<b>Hot</b>	Heatsink or control board or inverter IGBT over temperature alarms are active
	<ul style="list-style-type: none"> <li>The drive heatsink temperature has reached a threshold and the drive will trip O.ht2 if the temperature continues to rise (see the O.ht2 trip).</li> </ul> Or <ul style="list-style-type: none"> <li>The ambient temperature around the control PCB is approaching the over temperature threshold (see the O.CtL trip).</li> </ul>
<b>OVLd</b>	Motor overload
	The motor I <sup>2</sup> t accumulator (Pr 4.19) in the drive has reached 75% of the value at which the drive will be tripped and the load on the drive is >100%
<b>Auto tune</b>	Autotune in progress
	The autotune procedure has been initialised. 'Auto' and 'tunE' will flash alternatively on the display.
<b>Lt</b>	Limit switch is active
	Indicates that a limit switch is active and that it is causing the motor to be stopped (i.e. forward limit switch with forward reference etc.)
<b>PLC</b>	Onboard PLC program is running
	An Onboard PLC program is installed and running. The lower display will flash 'PLC' once every 10s.

## 13.3 Status indications

**Table 13-6 Status indications**

Upper display	Description	Drive output stage
<b>ACU</b>	AC Supply loss	Enabled
	The drive has detected that the AC supply has been lost and is attempting to maintain the DC bus voltage by decelerating the motor.	
<b>Auto</b>	Auto mode	Enabled
	The drive is running in Auto mode	
<b>dc</b>	DC applied to the motor	Enabled
	The drive is applying DC injection braking.	
<b>dEC</b>	Decelerating	Enabled
	The drive is decelerating the motor.	
<b>Hand</b>	Hand mode	Enabled
	The drive is running in Hand mode	
<b>Heat</b>	Motor pre-heat	Enabled
	Motor pre-heat active	
<b>inh</b>	Inhibit	Disabled
	The drive is inhibited and cannot be run. The drive enable signal is not applied to terminal 31 or Pr 6.15 is set to 0.	
<b>Off</b>	Drive is stopped	Disabled
	Drive is stopped	
<b>rdY</b>	Ready	Disabled
	The drive is ready to be run.	
<b>run</b>	Drive is running	Enabled
	Drive is running with Hand / Off / Auto disabled	
<b>StoP</b>	Stop or holding zero speed	Enabled
	The drive is holding zero speed.	
<b>trIP</b>	Trip condition	Disabled
	The drive has tripped and is no longer controlling the motor. The trip code appears on the right hand side of the top row of the display.	

**Table 13-7 Solutions Module and SMARTCARD status indications at power-up**

Lower display	Description
<b>boot</b>	A parameter set is being transferred from the SMARTCARD to the drive during power-up. For further information, please refer to section 9.2.4 <i>Booting up from the SMARTCARD on every power up (Pr 11.42 = boot (4))</i> on page 128.
<b>cArd</b>	The drive is writing a parameter set to the SMARTCARD during power-up. For further information, please refer to section 9.2.3 <i>Auto saving parameter changes (Pr 11.42 = Auto (3))</i> on page 128.
<b>loAging</b>	The drive is writing information to a Solutions Module.



## 13.4 Displaying the trip history

The drive retains a log in Pr 10.20 to Pr 10.29 of the last 10 trips that have occurred. The state of Pr 6.49 determines whether date and time or module number, associated with the trip, is stored (see Table 13-8).

**Table 13-8 Trip log definition**

Trip number	Trip code	Pr 6.49 = 1		Pr 6.49 = 0
		Date	Time	Module number
Trip 1	10.20	10.41	10.42	10.42
Trip 2	10.21	10.43	10.44	10.44
Trip 3	10.22	10.45	10.46	10.46
Trip 4	10.23	10.47	10.48	10.48
Trip 5	10.24	10.49	10.50	10.50
Trip 6	10.25	10.51	10.52	10.52
Trip 7	10.26	10.53	10.54	10.54
Trip 8	10.27	10.55	10.56	10.56
Trip 9	10.28	10.57	10.58	10.58
Trip 10	10.29	10.59	10.60	10.60

Trip 1 is the most recent trip or the current trip if the drive is in a trip condition and trip 10 is the oldest trip.

The date and time for Pr 10.41 to 10.59 are taken from the values in Pr 6.16 and Pr 6.17.

The value in Pr 6.19 determines if power-up time, drive running time or real time clock is logged. Refer to section 6.2.11 *Real time clock* on page 107.

If any parameter between Pr 10.20 and Pr 10.29 inclusive is read by serial communications, then the trip number in Table 13-2 *Trip indications* on page 245 is the value transmitted.

## 13.5 Behavior of the drive when tripped

If the drive trips, the output of the drive is disabled so that the drive stops controlling the motor. If any trip occurs (except the UV trip) the following read only parameters are frozen until the trip is cleared. This is to help in diagnosing the cause of the trip.

Parameter	Description
1.01	Frequency/speed reference
1.02	Pre-skip filter reference
1.03	Pre-ramp reference
2.01	Post-ramp reference
3.01	Final speed ref
3.02	Speed feedback
3.03	Speed error
3.04	Speed controller output
4.01	Current magnitude
4.02	Active current
4.17	Reactive current
5.01	Output frequency
5.02	Output voltage
5.03	Power
5.05	DC bus voltage
7.01	Analog input 1
7.02	Analog input 2
7.03	Analog input 3

### Fire mode

If Fire mode is activated, then only certain trips will be active. Refer to section 11.21.3 *Fire mode* on page 210.

### Analog and digital I/O

The analog and digital I/O on the drive continue to work correctly if a trip occurs, except the digital outputs will go low if one of the following trips occur: O.Ld1, PS.24V.

### Drive logic functions

The drive logic functions (i.e. PID, variable selectors, threshold detectors, etc.) continue to operate when the drive is tripped.

### Onboard PLC program

The Onboard PLC program continues to run if the drive is tripped, except if one of Onboard PLC program trips occur.

### Braking IGBT

The braking IGBT continues to operate even when the output of the drive is not enabled (except if the low voltage DC supply is being used), but is only disabled if any of the following trips occurs or would occur if another trip had not already become active: OI.Br, PS, It.Br, OV or any HFxx trip.

## 14 UL listing information

The drives have been assessed to meet both UL and cUL requirements. The Control Techniques UL file number is E171230. Confirmation of UL listing can be found on the UL website: [www.ul.com](http://www.ul.com).

### 14.1 Common UL information

#### Conformity

- Size 1 to 3 standard drives conform to cULus Type 1 as standard
- Size 4 to 6 standard drives conform to cULus open type as standard, and cULus Type 1 when the optional conduit box is installed
- Size 1 to 3 E12/E54 and E12/E66 drives conform to cULus Type 12 as standard
- Size 4 to 6 E12/E54 drives conform to UL Type 12 as standard


For further information, refer to section 2.2 *Drive types* on page 9.

The drive conforms to cULus listing requirements only when the following are observed:

- The standard Affinity drive is installed in a Pollution degree II environment, or better, as defined by UL508C
- The E12/E54 Affinity drive is installed in a Pollution degree III environment, or better, as defined by UL508C
- The terminal tightening torques specified in section 3.10.1 *Terminal sizes and torque settings* on page 60
- If the drive control stage is supplied by an external power supply (+24V), the external power supply must be a UL Class 2 power supply

#### Motor overload protection

The drive provides motor overload protection. The default overload protection level is no higher than 113% of full-load current (FLC) of the drive in open loop mode and no higher than 114% of full-load current (FLC) of the drive in RFC mode. It is necessary for the motor rated current to be entered into Pr **0.46** (or Pr **5.07**) for the protection to operate correctly. The protection level may be adjusted below 150% if required. Refer to section 8.2 *Current limits* on page 124 for more information. The drive also provides motor thermal protection. Refer to section 8.3 *Motor thermal protection* on page 124.



**Fire Mode - Important Warning**

When Fire Mode is active the motor overload and thermal protection are disabled. Fire Mode is provided for use only in emergency situations where the safety risk from disabling overload protection is less than the risk from the drive tripping - typically in smoke extraction operation to permit evacuation of a building. Fire Mode is activated by setting Pr **1.53** (*Fire mode set speed*) to a non-zero value and asserting digital input 4. When operating in Fire Mode the drive displays a flashing warning *Fire mode active*. Care must be taken to prevent inadvertent activation of Fire Mode, as well as ensuring that after using or testing the function the input is returned to the normal state, as confirmed by the absence of the flashing warning. Care must be taken to ensure that Pr **1.53** or Pr **1.54** are not inadvertently re-allocated to different inputs or variables. It should be noted that, by default, Pr **1.54** is controlled from digital input 4 and changing Pr **6.04** or Pr **8.24** can re-allocate this digital input to another parameter. These parameters are at access level 2 in order to minimize the risk of inadvertent or unauthorized changes. It is recommended that User Security be applied to further reduce the risk (see section 5.10 *Parameter access level and security* on page 95). These parameters may also be changed via serial communications so adequate precautions should be taken if this functionality is utilized.

#### Overspeed Protection

The drive provides overspeed protection. However, it does not provide the level of protection afforded by an independent high integrity overspeed protection device.

## 14.2 Power dependant UL information

### 14.2.1 Affinity size 1 to 6

#### Conformity

Size 1 to 6 standard, size 1 to 3 E12/E54 and E12/E66 drives conform to cULus, and size 4 to 6 E12/E54 drives conform to UL listing requirements when the following are observed:

#### Ambient conditions

##### Size 1 to 6 standard, size 1 to 3 E12/E54 and E12/E66 drives

The ambient temperature does not exceed 40°C (104°F) when the drive is operating.

##### Size 4 to 6 E12/E54 drives

The ambient temperature does not exceed 35°C (95°F) when the drive is operating.

#### Fuses

##### Size 1 to 3

- The correct UL-listed fast acting fuses (class CC or class J up to 30A and class J above 30A), e.g. Bussman Limitron KTK-R series, Ferraz Shawmut ATMR series or equivalent, are used in the AC supply. The drive does not comply with UL if MCBs are used in place of fuses.

For further details on fusing, refer to in Table 4-3 and Table 4-4 on page 70.

##### Size 4 to 6

- The UL-listed Ferraz HSJ (High speed J class) fuses are used in the AC supply. The drive does not comply with UL if any other fuses or MCBs are used in place of those stated.

For further details on fusing, refer to Table 4-5 on page 71.

#### Field wiring

##### Size 1 to 4

- Class 1 60/75°C (140/167°F) copper wire only is used in the installation

##### Size 5 and 6

- Class 1 75°C (167°F) copper wire only is used in the installation

#### Field wiring connectors

##### Sizes 4 to 6

- UL listed wire connectors are used for terminating power circuit field wiring, e.g. Ilco TA series

## 14.3 AC supply specification

The drive is suitable for use in a circuit capable of delivering not more than 100,000rms symmetrical Amperes at 264Vac rms maximum (200V drives), 528Vac rms maximum (400V drives) or 600Vac rms maximum (575V and 690V drives).

## 14.4 Maximum continuous output current

The drive models are listed as having the maximum continuous output currents (FLC) shown in Table 14-1, Table 14-2, Table 14-3 and Table 14-4 (see Chapter 12 *Technical data* on page 222 for details).

The following values also apply to the E12/E54 drives.

**Table 14-1 Maximum continuous output current (200V drives)**

Model	FLC (A)	Model	FLC (A)
BA1201	5.2	BA3201	42
BA1202	6.8	BA3202	54
BA1203	9.6	BA4201	68
BA1204	11	BA4202	80
BA2201	15.5	BA4203	104
BA2202	22		
BA2203	28		

**Table 14-2 Maximum continuous output current (400V drives)**

Model	FLC (A)	Model	FLC (A)
BA1401	2.8	BA3401	35
BA1402	3.8	BA3402	43
BA1403	5.0	BA3403	56
BA1404	6.9	BA4401	68
BA1405	8.8	BA4402	83
BA1406	11	BA4403	104
BA2401	15.3	BA5401	138
BA2402	21	BA5402	168
BA2403	29	BA6401	205
		BA6402	236

**Table 14-3 Maximum continuous output current (575V drives)**

Model	FLC (A)	Model	FLC (A)
BA3501	5.4	BA3505	16
BA3502	6.1	BA3506	22
BA3503	8.3	BA3507	27
BA3504	11		

**Table 14-4 Maximum continuous output current (690V drives)**

Model	FLC (A)	Model	FLC (A)
BA4601	22	BA5601	84
BA4602	27	BA5602	99
BA4603	36	BA6601	125
BA4604	43	BA6602	144
BA4605	52		
BA4606	62		

## 14.5 Safety label

The safety label supplied with the connectors and mounting brackets must be placed on a fixed part inside the drive enclosure where it can be seen clearly by maintenance personnel for UL compliance.

The label clearly states "CAUTION Risk of Electric Shock Power down unit 10 minutes before removing cover".

## 14.6 UL listed accessories

- BA-Keypad
- SM-Ethernet
- SM-I/O Lite
- SM-I/O 120V
- SM-LON
- SM-I/O Plus
- SM-CAN
- SM-INTERBUS
- SM-Applications
- SM-Applications Lite V2
- SM-DeviceNet
- SM-PROFIBUS-DP
- SM-I/O PELV
- SM-I/O 24V Protected
- SM-I/O 32
- SM-Applications Plus
- SM-I/O Timer
- SM-Applications Lite
- SM-CANopen
- SM-EtherCAT

# List of figures

Figure 2-1	Features .....	8	Figure 3-35	Size 4 E12/E54 drive surface mounting .....	41
Figure 2-2	Features of the drive .....	14	Figure 3-36	Size 5 E12/E54 drive surface mounting .....	42
Figure 2-3	Typical drive rating labels .....	15	Figure 3-37	Size 6 E12/E54 drive surface mounting .....	43
Figure 2-4	Options available with Affinity .....	16	Figure 3-38	Mounting option 1 .....	44
Figure 3-1	Location and identification of standard drive terminal covers .....	21	Figure 3-39	Mounting option 2 .....	45
Figure 3-2	Removing the standard drive size 1 terminal covers .....	22	Figure 3-40	Enclosure layout .....	46
Figure 3-3	Removing the standard drive size 2 terminal covers .....	22	Figure 3-41	Enclosure having front, sides and top panels free to dissipate heat .....	47
Figure 3-4	Removing the standard drive size 3 terminal covers .....	22	Figure 3-42	Example of IP54 (UL Type 12 / NEMA 12) through-panel layout .....	48
Figure 3-5	Removing the size 4, 5 and 6 standard drive terminal covers (size 4 illustrated) .....	23	Figure 3-43	Installing the gasket .....	48
Figure 3-6	Removing the finger-guard break-outs .....	23	Figure 3-44	Installation of IP54 insert for size 1 .....	49
Figure 3-7	Removing the DC terminal cover break-outs .....	23	Figure 3-45	Installation of IP54 insert for size 2 .....	49
Figure 3-8	Size 4 to 6 finger-guard grommets .....	24	Figure 3-46	Option 2 for achieving IP54 (UL type 12 / NEMA 12) through-panel mounting .....	50
Figure 3-9	Size 4 standard drive with conduit connection box installed .....	24	Figure 3-47	Option 3 for achieving IP54 (UL Type 12 / NEMA 12) through panel mounting .....	51
Figure 3-10	Removal of the top cover (size 1 to 4) E12/E54 .....	25	Figure 3-48	Footprint mounting the EMC filter .....	52
Figure 3-11	Removing the top covers (size 5 to 6) .....	26	Figure 3-49	Bookcase mounting the EMC filter .....	52
Figure 3-12	Drilling the size 3 to 6 E12/E54 gland plate .....	26	Figure 3-50	Size 4 to 6 mounting of EMC filter .....	52
Figure 3-13	Installation and removal of a Solutions Module .....	27	Figure 3-51	Size 1 external EMC filter .....	53
Figure 3-14	Installation and removal of a keypad .....	27	Figure 3-52	Size 2 external EMC filter .....	53
Figure 3-15	location of external RJ 45 connector .....	28	Figure 3-53	Size 3 external EMC filter .....	54
Figure 3-16	RJ 45 connector with cap installed .....	28	Figure 3-54	Size 4 and 5 external EMC filter .....	55
Figure 3-17	Surface mounting the standard size 1 drive with conduit connection box installed .....	29	Figure 3-55	Size 6 external EMC filter .....	56
Figure 3-18	Surface mounting the standard size 2 drive with conduit connection box installed .....	30	Figure 3-56	Size 1 IP54 external EMC filter .....	57
Figure 3-19	Surface mounting the standard size 3 drive with conduit connection boxes installed .....	30	Figure 3-57	Size 2 IP54 external EMC filter .....	58
Figure 3-20	Surface mounting the standard size 4 drive with conduit connection boxes installed .....	31	Figure 3-58	Size 3 IP54 external EMC filter .....	59
Figure 3-21	Surface mounting the standard size 5 drive with conduit connection boxes installed .....	32	Figure 3-59	Replacing the small filters on the size 4, 5 and 6 E12/E54 drive (top and bottom on size 4 and top only on size 5 and 6) .....	62
Figure 3-22	Surface mounting the standard size 6 drive with conduit connection boxes installed .....	33	Figure 3-60	Replacing the large top and bottom filters on the size 5 and 6 E12/E54 drive .....	62
Figure 3-23	Through-panel mounting the standard size 1 drive .....	34	Figure 3-61	Replacing the real-time clock battery .....	63
Figure 3-24	Through-panel mounting the standard size 2 drive .....	35	Figure 4-1	Size 1 power connections .....	64
Figure 3-25	Through-panel mounting the standard size 3 drive .....	35	Figure 4-2	Size 2 power connections .....	65
Figure 3-26	Through-panel mounting the standard size 4 drive .....	36	Figure 4-3	Size 3 power connections .....	65
Figure 3-27	Through-panel mounting the standard size 5 drive .....	37	Figure 4-4	Size 4, 5 and 6 power connections .....	66
Figure 3-28	Through-panel mounting the standard size 6 drive .....	38	Figure 4-5	Size 2 ground connections .....	67
Figure 3-29	Size 4, 5 and 6 mounting bracket .....	39	Figure 4-6	Size 3 ground connections .....	67
Figure 3-30	Orientation of the size 4, 5 and 6 mounting bracket .....	39	Figure 4-7	Size 4, 5 and 6 ground connections .....	67
Figure 3-31	Location of top surface mounting brackets for size 5 and 6 .....	39	Figure 4-8	Location of size 6 E12/54 drive 24V power supply .....	68
Figure 3-32	Size 1 E12/E54 and E12/E66 drive surface mounting .....	40	Figure 4-9	Location of the size 6 heatsink fan supply connections .....	69
Figure 3-33	Size 2 E12/E54 and E12/E66 drive surface mounting .....	40	Figure 4-10	Size 6 heatsink fan supply connections .....	69
Figure 3-34	Size 3 E12/E54 and E12/E66 drive surface mounting .....	41	Figure 4-11	Cable construction influencing the capacitance .....	73
			Figure 4-12	Preferred chain connection for multiple motors .....	73
			Figure 4-13	Alternative connection for multiple motors .....	73
			Figure 4-14	Typical protection circuit for a braking resistor .....	75
			Figure 4-15	Installation of grounding clamp (size 1 and 2) .....	77
			Figure 4-16	Installation of grounding clamp (size 3) .....	77
			Figure 4-17	Installation of grounding bracket (sizes 1 to 6) .....	77
			Figure 4-18	Size 4 and 5 grounding link bracket in its surface mount position (as supplied) .....	78
			Figure 4-19	Size 4 and 5 grounding link bracket folded up into its through-panel mount position .....	78
			Figure 4-20	Removal of internal EMC filter (size 1 to 3) .....	79
			Figure 4-21	Removal of internal EMC filter (sizes 4 to 6) .....	79
			Figure 4-22	General EMC enclosure layout showing ground connections .....	80
			Figure 4-23	Drive cable clearances .....	81

Figure 4-24	Supply and ground cable clearance (size 1 to 3) .....	82	Figure 11-23	Menu 14 Logic diagram - dual setpoint, dual feedback .....	184
Figure 4-25	Supply and ground cable clearance (size 4 to 6) .....	82	Figure 11-24	Location of Solutions Module slots and their corresponding menu numbers .....	187
Figure 4-26	Sensitive signal circuit clearance .....	83	Figure 11-25	SM-I/O Plus analog logic diagram .....	188
Figure 4-27	Grounding the drive, motor cable shield and filter .....	83	Figure 11-26	SM-I/O Plus digital logic diagram 1 .....	189
Figure 4-28	Grounding the motor cable shield .....	83	Figure 11-27	SM-I/O Plus digital logic diagram 2 .....	190
Figure 4-29	Shielding requirements of optional external braking resistor .....	83	Figure 11-28	SM-I/O Lite digital I/O logic diagram .....	192
Figure 4-30	Grounding of signal cable shields using the grounding bracket .....	84	Figure 11-29	SM-I/O Lite analog I/O logic diagram .....	193
Figure 4-31	Connecting the motor cable to a terminal block in the enclosure .....	84	Figure 11-30	SM-I/O PELV digital I/O logic diagram .....	195
Figure 4-32	Connecting the motor cable to an isolator / disconnect switch .....	84	Figure 11-31	SM-I/O PELV digital input logic diagram .....	196
Figure 4-33	Surge suppression for digital and unipolar inputs and outputs .....	85	Figure 11-32	SM-I/O PELV relay logic diagram .....	196
Figure 4-34	Surge suppression for analog and bipolar inputs and outputs .....	85	Figure 11-33	SM-I/O PELV analog input logic diagram .....	196
Figure 4-35	Location of the RJ45 serial comms connector .....	85	Figure 11-34	SM-I/O PELV analog output logic diagram .....	197
Figure 4-36	Location of RJ45 serial connector .....	86	Figure 11-35	SM-I/O 24V Protected digital I/O logic diagram .....	199
Figure 4-37	Connector with cap installed .....	86	Figure 11-36	SM-I/O 24V Protected digital I/O logic diagram .....	200
Figure 4-38	Default terminal functions .....	87	Figure 11-37	SM-I/O 24V Protected relay logic diagram .....	200
Figure 4-39	Multi-drop connection .....	90	Figure 11-38	SM-I/O 24V Protected analog output logic diagram .....	201
Figure 5-1	BA-Keypad .....	91	Figure 11-39	SM-I/O 120V digital input logic diagram .....	202
Figure 5-2	Display modes .....	92	Figure 11-40	SM-I/O 120V relay diagram .....	203
Figure 5-3	Mode examples .....	92	Figure 11-41	SM-I/O 32 logic diagram .....	204
Figure 5-4	Parameter navigation .....	92	Figure 13-1	Keypad status modes .....	244
Figure 5-5	Menu structure .....	93	Figure 13-2	Location of the status LED .....	244
Figure 5-6	Menu 0 copying .....	93			
Figure 6-1	Menu 0 logic diagram .....	102			
Figure 6-2	Fixed and variable V/f characteristics .....	105			
Figure 7-1	Minimum connections to get the motor running in any operating mode .....	114			
Figure 8-1	Motor thermal protection .....	124			
Figure 8-2	Torque and rated voltage against speed .....	125			
Figure 9-1	Installation of the SMARTCARD .....	126			
Figure 9-2	Basic SMARTCARD operation .....	126			
Figure 10-1	Onboard PLC program scheduling .....	133			
Figure 11-1	Menu 1 logic diagram .....	142			
Figure 11-2	Menu 2 logic diagram .....	146			
Figure 11-3	Menu 3 Open-loop logic diagram .....	149			
Figure 11-4	Menu 3 RFC logic diagram .....	150			
Figure 11-5	Menu 4 Open loop logic diagram .....	152			
Figure 11-6	Menu 4 RFC logic diagram .....	153			
Figure 11-7	Menu 5 Open-loop logic diagram .....	155			
Figure 11-8	Menu 5 RFC logic diagram .....	156			
Figure 11-9	Menu 6 logic diagram .....	159			
Figure 11-10	Menu 7 logic diagram .....	161			
Figure 11-11	Menu 8 logic diagram .....	164			
Figure 11-12	Menu 9 logic diagram: Programmable logic .....	167			
Figure 11-13	Menu 9 logic diagram: Motorized pot and binary sum .....	168			
Figure 11-14	Menu 9 logic diagram: Timers .....	169			
Figure 11-15	Menu 12 logic diagram .....	174			
Figure 11-16	Menu 12 logic diagram (continued) .....	175			
Figure 11-17	Open-loop brake function .....	176			
Figure 11-18	Open-loop brake sequence .....	176			
Figure 11-19	RFC brake function .....	177			
Figure 11-20	RFC brake sequence .....	177			
Figure 11-21	Menu 14 Logic diagram - single setpoint, single feedback .....	180			
Figure 11-22	Menu 14 Logic diagram - single setpoint, dual feedback .....	182			

## List of tables

Table 2-1	200V Drive ratings (200V to 240V $\pm 10\%$ )	10	Table 9-1	SMARTCARD data blocks	127
Table 2-2	400V Drive ratings (380V to 480V $\pm 10\%$ )	11	Table 9-2	SMARTCARD codes	127
Table 2-3	575V Drive ratings (500V to 575V $\pm 10\%$ )	12	Table 9-3	Key to parameter table coding	129
Table 2-4	690V Drive ratings (500V to 690V $\pm 10\%$ )	12	Table 9-4	Trip conditions	130
Table 2-5	Typical overload limits for size 1 to 6	13	Table 9-5	SMARTCARD status indications	131
Table 2-6	Solutions Module identification	16	Table 11-1	Menu descriptions	136
Table 2-7	Parts supplied with the drive	18	Table 11-2	Key to parameter table coding	136
Table 3-1	Conduit box part numbers	24	Table 11-3	Feature look-up table	137
Table 3-2	Mounting brackets (Standard)	39	Table 11-4	Definition of parameter ranges & variable maximums	139
Table 3-3	E12/E54 mounting clearances	39	Table 11-5	Maximum motor rated current	141
Table 3-4	E12/E54 mounting brackets	44	Table 11-6	Defaults for Pr 10.30 and Pr 10.31	172
Table 3-5	Description of fixings	50	Table 11-7	Applications module parameters	205
Table 3-6	Quantity of nylon washers supplied with the drive	50	Table 11-8	Active reference	209
Table 3-7	Environment considerations	51	Table 11-9	Hand/Off/Auto mode	210
Table 3-8	Power losses from the front of the drive when through-panel mounted	51	Table 11-10	Power-up modes if Pr 1.52 = 3	210
Table 3-9	Drive EMC filter details (size 1 to 6)	52	Table 12-1	Summary of power and current rating tables	222
Table 3-10	Drive control and relay terminal data	60	Table 12-2	Maximum permissible continuous output current @ 40°C (104°F) ambient for size 1 to 6 standard, size 1 to 3 E12/E54 and size 1 to 3 E12/E66 drives	223
Table 3-11	Wall mounted drive power terminal data	60	Table 12-3	Maximum permissible continuous output current @ 40°C (104°F) ambient for size 1 and 2 standard drives with IP54 insert and standard fan installed	224
Table 3-12	Plug-in terminal block maximum cable sizes	60	Table 12-4	Maximum permissible continuous output current @ 50°C (122°F) ambient for size 1 to 6 standard, size 1 to 3 E12/E54 drives and size 1 to 3 E12/E66 drives	225
Table 3-13	Schaffner external EMC filter terminal data (size 1 to 6)	60	Table 12-5	Maximum permissible continuous output current @ 35°C (95°F) ambient for size 4 to 6 E12/54 drives	226
Table 3-14	Epcos external EMC Filter terminal data	60	Table 12-6	Maximum permissible continuous output current @ 40°C (104°F) ambient for size 4 to 6 E12/54 drives	226
Table 4-1	Behavior of the drive in the event of a motor circuit ground (earth) fault with an IT supply	68	Table 12-7	Maximum permissible continuous output current @ 45°C (113°F) ambient for size 4 to 6 E12/54 drives	227
Table 4-2	Supply fault current used to calculate maximum input currents	69	Table 12-8	Summary of drive losses tables	227
Table 4-3	Size 1 to 3 input current, fuse and cable size ratings (European)	70	Table 12-9	Losses @ 40°C (104°F) ambient for size 1 to 6 standard, size 1 to 3 E12/E54 drives and size 1 to 3 E12/E66 drives	228
Table 4-4	Size 1 to 3 input current, fuse and cable size ratings (USA)	70	Table 12-10	Losses @ 40°C (104°F) ambient for size 1 and 2 drives with IP54 insert and standard fan installed	229
Table 4-5	Size 4 and larger input current, fuse and cable size ratings	71	Table 12-11	Losses @ 50°C (122°F) ambient for standard size 1 to 6, size 1 to 3 E12/E54 and size 1 to 3 E12/E66 drives	230
Table 4-6	Maximum motor cable lengths (200V drives)	72	Table 12-12	Losses @ 35°C (95°F) ambient for size 4 to 6 E12/54 drives	231
Table 4-7	Maximum motor cable lengths (400V drives)	72	Table 12-13	Losses @ 40°C (104°F) ambient for size 4 to 6 E12/54 drives	231
Table 4-8	Maximum motor cable lengths (575V drives)	72	Table 12-14	Losses @ 45°C (113°F) ambient for size 4 to 6 E12/54 drives	232
Table 4-9	Maximum motor cable lengths (690V drives)	72	Table 12-15	Power losses from the front of the drive when through-panel mounted	232
Table 4-10	Braking transistor turn on voltage	74	Table 12-16	IP Rating degrees of protection	233
Table 4-11	Heatsink mounted braking resistor data	74	Table 12-17	UL / NEMA enclosure ratings	233
Table 4-12	Minimum resistance values and peak power rating for the braking resistor at 40°C (104°F)	75	Table 12-18	Acoustic noise data for wall mounted drives	234
Table 4-13	Affinity EMC filter cross reference	77	Table 12-19	Overall standard drive dimensions	234
Table 4-14	IP54 EMC filter cross reference	77	Table 12-20	Overall wall mounted standard drive dimensions with conduit box installed	234
Table 4-15	Second environment emission compliance	81			
Table 4-16	Connection details for RJ45 connector	85			
Table 4-17	Isolated serial comms lead details	86			
Table 4-18	The terminal connections consist of:	86			
Table 5-1	Advanced menu descriptions	93			
Table 5-2	Menu 40 parameter descriptions	93			
Table 5-3	Menu 41 parameter descriptions	94			
Table 5-4	Alarm indications	94			
Table 5-5	Status indications	94			
Table 5-6	Solutions Module and SMARTCARD status indications on power-up	94			
Table 6-1	Single line descriptions	99			
Table 7-1	Minimum control connection requirements for each control mode	113			
Table 8-1	Available switching frequencies	125			
Table 8-2	Sample rates for various control tasks at each switching frequency	125			

Table 12-21	Overall E12/E54 and E12/E66 drive dimensions .....	234
Table 12-22	Overall drive weights .....	235
Table 12-23	Overall E12/E54 drive weights .....	235
Table 12-24	Supply fault current used to calculate maximum input currents .....	235
Table 12-25	Size 1 to 3 input current, fuse and cable size ratings .....	235
Table 12-26	Size 4 and larger input current, fuse and cable size ratings .....	236
Table 12-27	Maximum motor cable lengths (200V drives) .....	236
Table 12-28	Maximum motor cable lengths (400V drives) .....	237
Table 12-29	Maximum motor cable lengths (575V drives) .....	237
Table 12-30	Maximum motor cable lengths (690V drives) .....	237
Table 12-31	Minimum resistance values and peak power rating for the braking resistor at 40°C (104°F) .....	237
Table 12-32	Drive control and relay terminal data .....	237
Table 12-33	Drive power terminal data .....	237
Table 12-34	Wall mounted drive power terminal data .....	238
Table 12-35	Plug-in terminal block maximum cable sizes .....	238
Table 12-36	Immunity compliance .....	238
Table 12-37	Size 1 emission compliance .....	239
Table 12-38	Size 2 emission compliance .....	239
Table 12-39	Size 3 emission compliance .....	239
Table 12-40	Size 4 (200V & 400V) emission compliance .....	239
Table 12-41	Size 4 (690V) emission compliance .....	239
Table 12-42	Size 5 (400V) emission compliance .....	239
Table 12-43	Size 5 (690V) emission compliance .....	239
Table 12-44	Size 6 (400V only) emission compliance .....	239
Table 12-45	Size 6 (690V only) emission compliance .....	240
Table 12-46	EMC filter cross reference .....	240
Table 12-47	IP54 EMC filter cross reference .....	240
Table 12-48	Optional external EMC filter details .....	241
Table 12-49	Optional external EMC filter dimensions .....	242
Table 13-1	Example of typical trip indication .....	244
Table 13-2	Trip indications .....	245
Table 13-3	Serial communications look-up table .....	254
Table 13-4	Trip categories .....	255
Table 13-5	Alarm indications .....	256
Table 13-6	Status indications .....	256
Table 13-7	Solutions Module and SMARTCARD status indications at power-up .....	256
Table 13-8	Trip log definition .....	257
Table 14-1	Maximum continuous output current (200V drives) .....	258
Table 14-2	Maximum continuous output current (400V drives) .....	259
Table 14-3	Maximum continuous output current (575V drives) .....	259
Table 14-4	Maximum continuous output current (690V drives) .....	259

# Index

## Symbols

+10V user output .....	88
+24V external input .....	88
+24V user output .....	89

## Numerics

0V common .....	88
-----------------	----

## A

AC supply contactor .....	71
AC supply requirements .....	67
Acceleration .....	99, 104, 116, 117, 122, 148
Access .....	19
Access Level .....	96
Accuracy .....	234
Acoustic noise .....	234
Advanced menus .....	93
Advanced parameters .....	136
Advanced process PID .....	211
Air-flow in a ventilated enclosure .....	47
Alarm .....	256
Alarm Indications .....	256
Altitude .....	233
Analog input .....	107
Analog input 2 .....	88
Analog input 3 .....	88
Analog output 1 .....	89
Analog output 2 .....	89
Autotune .....	109, 118, 122

## B

Basic requirements .....	113
Battery replacement (real-time clock) .....	63
Braking .....	74
Braking Modes .....	214
Braking resistor values .....	237
Building automation interface .....	219

## C

Cable clearances .....	81
Cable lengths (maximum) .....	236
Cable size ratings .....	235
Cable types and lengths .....	72
Catch a spinning motor .....	218
Cautions .....	7
Conduit box .....	16, 24
Control connections .....	86
Control terminal specification .....	88
Cooling .....	19
Cooling method .....	233
Current demand filter .....	107
Current limit .....	104
Current limits .....	124
Current loop gains .....	122
Current ratings .....	222

## D

DC bus paralleling .....	69
DC bus voltage .....	74, 139, 215, 216, 218
Deceleration .....	74, 99, 104, 106, 116, 117, 122, 148, 207, 214, 216
Defaults (restoring parameter) .....	95
Derating .....	222
Destination parameter .....	86
Diagnostics .....	244
Digital I/O 1 .....	89
Digital I/O 2 .....	89
Digital I/O 3 .....	89
Digital Input 1 .....	89
Digital Input 2 .....	89
Digital Input 3 .....	89
Dimensions (overall) .....	234
Display .....	91
Display messages .....	94
Drive enable .....	89
Drive parameters .....	108

## E

Electrical Installation .....	64
Electrical safety .....	19
Electrical terminals .....	60
Electromagnetic compatibility (EMC) .....	19, 76, 238
EMC - Compliance with generic emission standards .....	82
EMC - General requirements .....	80
EMC - Variations in the wiring .....	83
EMC filter dimensions (external, overall) .....	242
EMC filter torque settings (external) .....	243
EMC filters (optional external) .....	240
Emission .....	238
EN 61800-3:2004 (standard for Power Drive Systems) .....	81
Enclosure .....	46
Enclosure Layout .....	46
Enclosure sizing .....	46
Environmental protection .....	19
External EMC filter .....	52

## F

Fast Disable .....	218
Field weakening (constant power) operation .....	125
Fieldbus module category parameters .....	206
Filter replacement (E12/E54 size 4, 5 and 6) .....	62
Fire mode .....	210
Fire protection .....	19
Fixed V/F mode .....	13
Fuse ratings .....	235
Fuse types .....	71

## G

Getting Started .....	91
Ground connections .....	71, 80
Ground leakage .....	76
Grounding bracket .....	77
Grounding clamp .....	77



<b>H</b>	
Hazardous areas .....	19
Heatsink mounted braking resistor .....	74
High speed operation .....	125
Hold zero speed .....	109
Humidity .....	233
<b>I</b>	
I/O module category parameters .....	188
Input current ratings .....	235
Input inductor calculation .....	68
Internal EMC filter .....	78
Isolator switch .....	84
Items supplied with the drive .....	18
<b>K</b>	
Keypad and display - fitting / removal .....	27
Keypad operating mode	
Auto .....	210
Hand .....	210
Off .....	210
Keypad operation .....	91
<b>L</b>	
Line power supply loss modes .....	216
Line reactors .....	68, 232
Low load .....	108
<b>M</b>	
Maximum speed / frequency .....	125
Mechanical Installation .....	19
Menu 0 .....	93
Menu 01 - Frequency / speed reference .....	142
Menu 02 - Ramps .....	146
Menu 03 - Slave frequency, speed feedback and speed control .....	149
Menu 04 - Torque and current control .....	152
Menu 05 - Motor control .....	155
Menu 06 - Sequencer and clock .....	159
Menu 07 - Analog I/O .....	161
Menu 08 - Digital I/O .....	164
Menu 09 - Programmable logic, motorized pot and binary sum .....	167
Menu 10 - Status and trips .....	171
Menu 11 - General drive set-up .....	173
Menu 12 - Threshold detectors and variable selectors .....	174
Menu 14 - User PID controller .....	180
Menu 15 and 16 - Solution Module set-up .....	187
Menu 17 - Building Automation Network .....	206
Menu 18 - Application menu 1 .....	206
Menu 19 - Application menu 2 .....	206
Menu 20 - Application menu 3 .....	206
Menu 21 - Second motor parameters .....	207
Menu 22 - Additional Menu 0 set-up .....	208
Menu structure .....	92
Minimum connections to get the motor running in any operating mode .....	114
Mode parameter .....	86
Model number .....	13
Monitoring .....	105
Motor (running the motor) .....	113
Motor cable - interruptions .....	84
Motor isolator / disconnect-switch .....	84
Motor map parameters .....	118
Motor number of poles .....	118, 121
Motor operation .....	73
Motor parameters .....	110
Motor rated current .....	118, 121
Motor rated frequency .....	118, 121
Motor rated power factor .....	118, 121
Motor rated speed .....	118, 121
Motor rated voltage .....	118, 121
Motor requirements .....	233
Motor thermal protection .....	124
Motor winding voltage .....	73
Mounting methods .....	29
Multiple motors .....	73
<b>N</b>	
Nameplate description .....	14
NEMA rating .....	48, 233
Notes .....	7
<b>O</b>	
Onboard PLC .....	132
Open loop mode .....	13
Open loop vector mode .....	13
Operating mode (changing) .....	95, 113
Operating modes .....	13
Operating-mode selection .....	111
Optimization .....	118
Options .....	16
Output contactor .....	74
Output frequency .....	234
<b>P</b>	
Parameter access level .....	95
Parameter ranges .....	139
Parameter security .....	95
Parameter x.00 .....	104
PC communications .....	109
Planning the installation .....	19
Power ratings .....	75, 222
Precision reference Analog input 1 .....	88
Pre-heat .....	109
Product information .....	8
<b>Q</b>	
Quadratic V/F mode .....	13
Quick start commissioning .....	116, 132
Quick start connections .....	113
<b>R</b>	
Ramp mode selectors .....	106
Ramps .....	104
Ratings .....	9, 69
Reactor current ratings .....	68, 232
Real time clock .....	107
Reference modes .....	209
Relay contacts .....	90
Residual current device (RCD) .....	76
Resistances (minimum) .....	75
Resolution .....	234
RJ45 connector - connection details .....	85
Routine maintenance .....	61

**S**

Safety Information .....	7, 19
Saving parameters .....	95
Sealed enclosure - sizing .....	46
Serial comms lead .....	86
Serial communications look-up table .....	254
Single line descriptions .....	99
Sleep mode .....	106
Slip compensation .....	120
SMARTCARD .....	108
SMARTCARD operation .....	126, 132
SMARTCARD trips .....	130
Solutions Module .....	187
Solutions Module - fitting / removal .....	27
Speed limits .....	104
Speed loop gains .....	123
Speed range .....	234
Speed reference selection .....	104
Speed-loop PID gains .....	105
Spin start boost .....	107
Start up time .....	234
Starts per hour .....	234
Status .....	94, 256
Status Indications .....	256
Status information .....	111
Stop mode selectors .....	106
Stop modes .....	216
Storage .....	233
Supply requirements .....	232
Supply types .....	67
Surface mounting the drive .....	29
Surge immunity of control circuits - long cables and connections outside a building .....	84
Surge suppression for analog and bipolar inputs and outputs	85
Surge suppression for digital and unipolar inputs and outputs	85
Switching frequency .....	125

**T**

Technical data .....	222
Temperature .....	233
Terminal block in the enclosure .....	84
Terminal cover removal .....	20
Terminal sizes .....	60
Thermal protection circuit for the braking resistor .....	75
Through-panel mounting the drive .....	34
Timer functions .....	112
Torque modes .....	215
Torque settings .....	60, 237
Trip .....	244
Trip categories .....	255
Trip History .....	257
Trip Indications .....	244

**U**

UL Listing Information .....	258
User Security .....	96
User security .....	109

**V**

Variable maximums .....	139
Vibration .....	233
Voltage boost .....	105
Voltage mode .....	119

**W**

Warnings .....	7
Weights .....	235





**0474-0000-04**